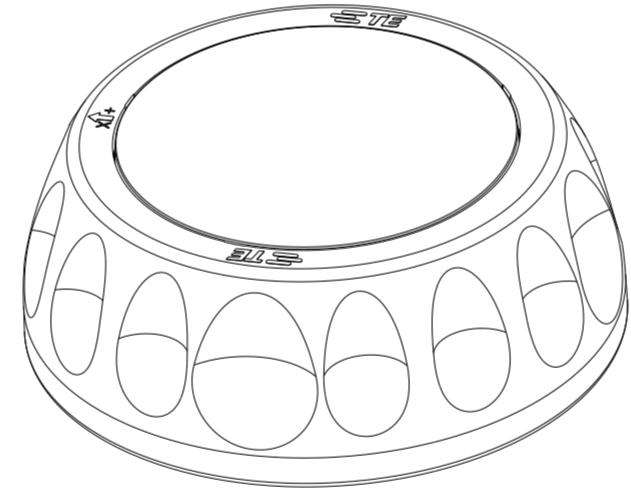
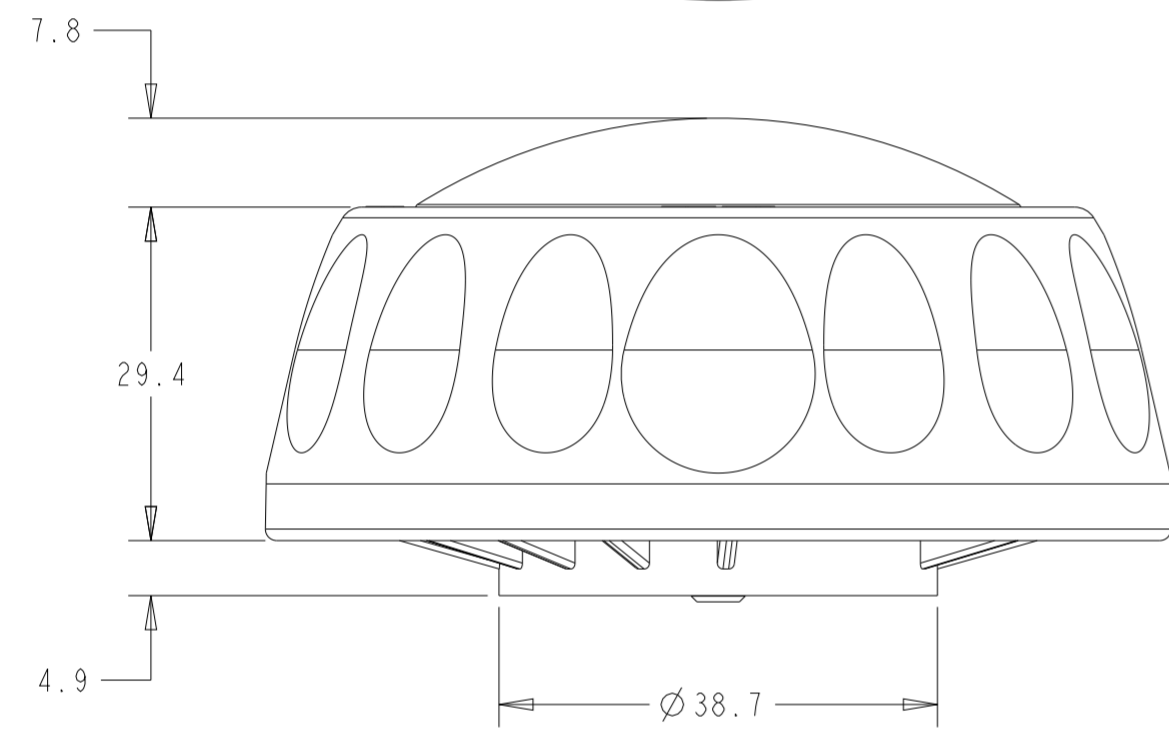
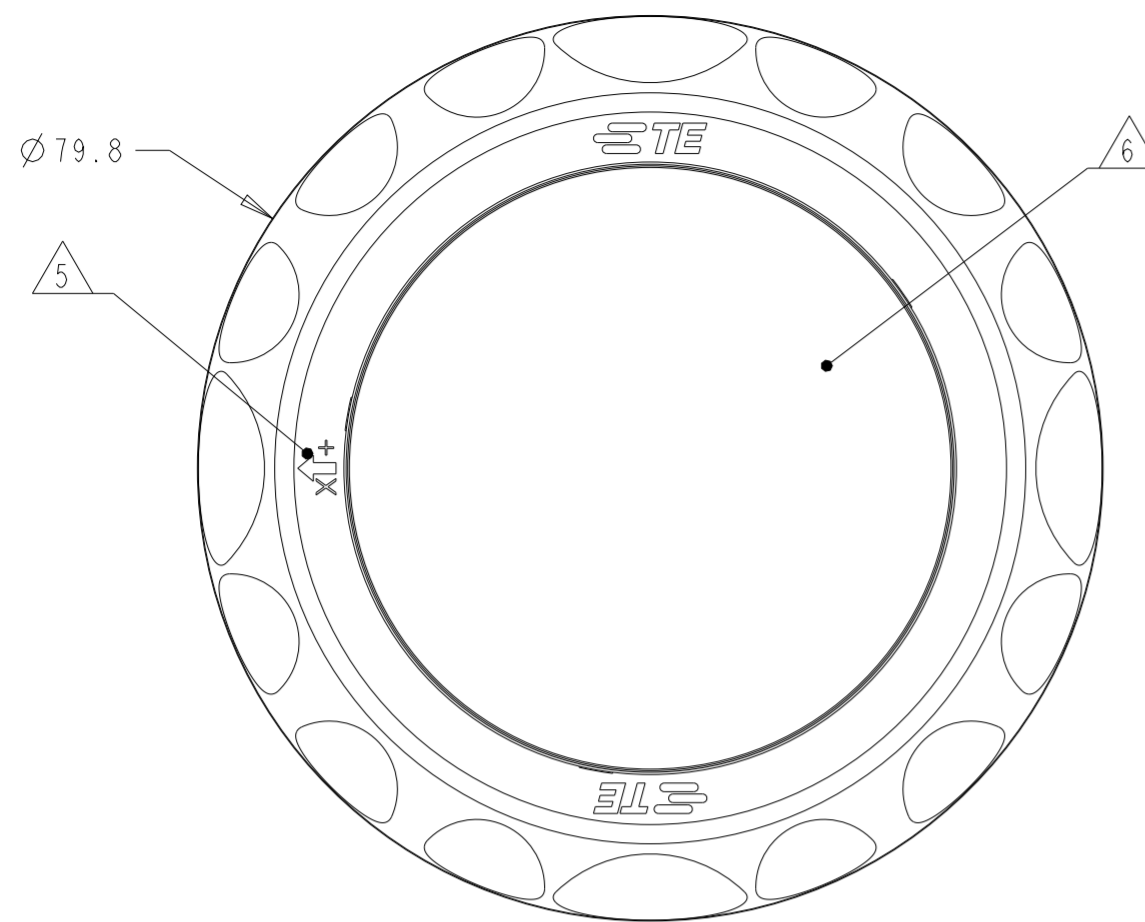


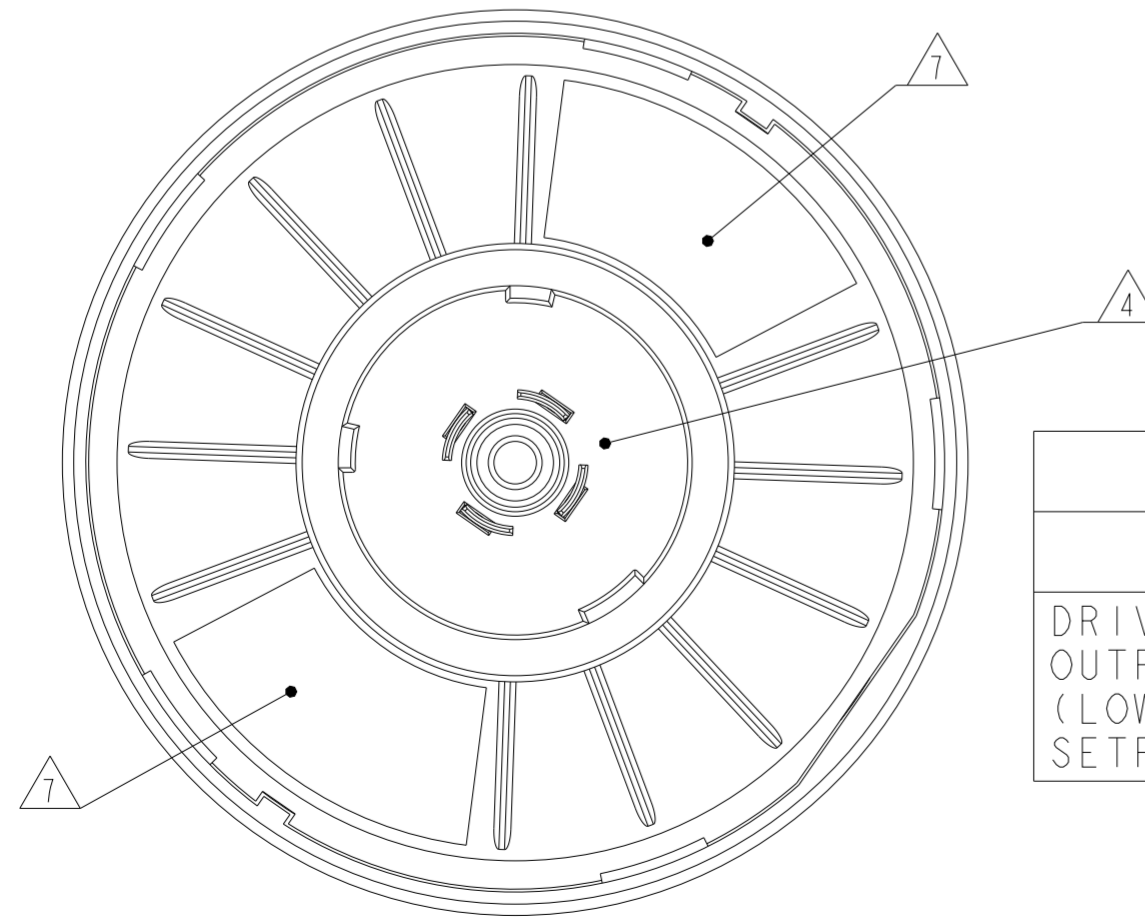
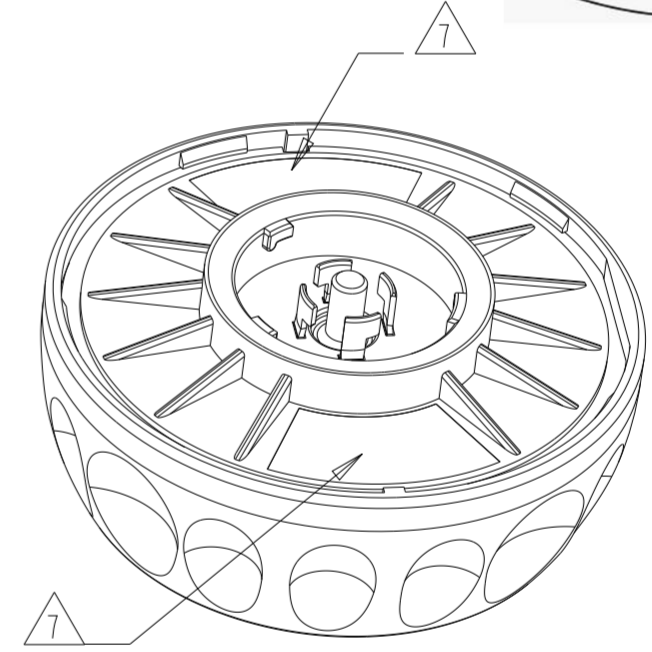
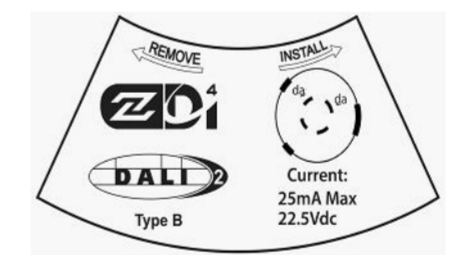
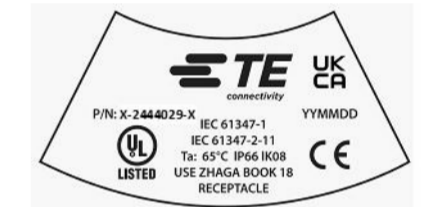
P	LTR	DESCRIPTION	DATE	DWN	APVD
A		REVISED PER ECN-23-241320	28NOV2023	RK	MM

NOTES:

- 1 MATERIALS AND FINISH:  
 -HOUSING: PC, COLOR: DARK GREY  
 -LOCKING RING: PBT, COLOR: DARK GREY  
 -MODULE BASE: PBT, COLOR: GREY  
 -LENS: PE  
 -GASKET: LSR  
 -CONTACTS: BRASS, FINISH: Sn  
 -PCBA: FR4
- 2. MUST COMPLY WITH DIRECTIVE 2011/65/EC (ROHS2)
- 3. THIS PRODUCT HAS NOT COMPLETED VALIDATION TESTING
- 4 MATES WITH ZHAGA BOOK 18 RECEPTACLES, SEE TE LUMAWISE ENDURANCE S/S2; P/N: 2213858-X, 2363638-X
- 5 ZHAGA BOOK 18 X+ AXIS DIRECTION MARKING
- 6 DETECTION ZONE MASK AVAILABLE; TE P/N: 2396399-1
- 7 PRODUCT IDENTIFICATION LABELS
- 8 FACTORY PROGRAMMED LEVELS. PARAMETERS ARE ADJUSTABLE BY UTILIZING THE DALI PARAMETERS AS NOTED IN 114-160511 APPLICATION SPECIFICATION.



SCALE 1:1



20	100	50	18	35	120	CIRCULAR	3-2444029-1
20	100	50	18	35	120	RECTANGULAR	2444029-1
DRIVER OUTPUT % (LOW SETPOINT) 8	DRIVER OUTPUT % (HIGH SETPOINT) 8	DRIVER OUTPUT % (EMERGENCY SETPOINT) 8	LIGHT LEVEL TURN OFF THRESHOLD (LUX) 8	LIGHT LEVEL TURN ON THRESHOLD (LUX) 8	LAMP ON TIME (SECONDS) 8	DETECTION PATTERN	PART NO.

THIS DRAWING IS A CONTROLLED DOCUMENT.

DWN	M. MOSTOLLER	07 JUL 2023
CHK	M. MOSTOLLER	07 JUL 2023
APVD	M. MOSTOLLER	

**STE** TE Connectivity

NAME: ASSEMBLY, STREETLIGHT PROGRAMMABLE MOTION SENSOR

PRODUCT SPEC: 108-160457

APPLICATION SPEC: 114-160511

SIZE: A2 CAGE CODE: 00779 DRAWING NO: C-2444029 RESTRICTED TO: -

CUSTOMER DRAWING SCALE: 3:2 SHEET: 1 OF 1 REV: A