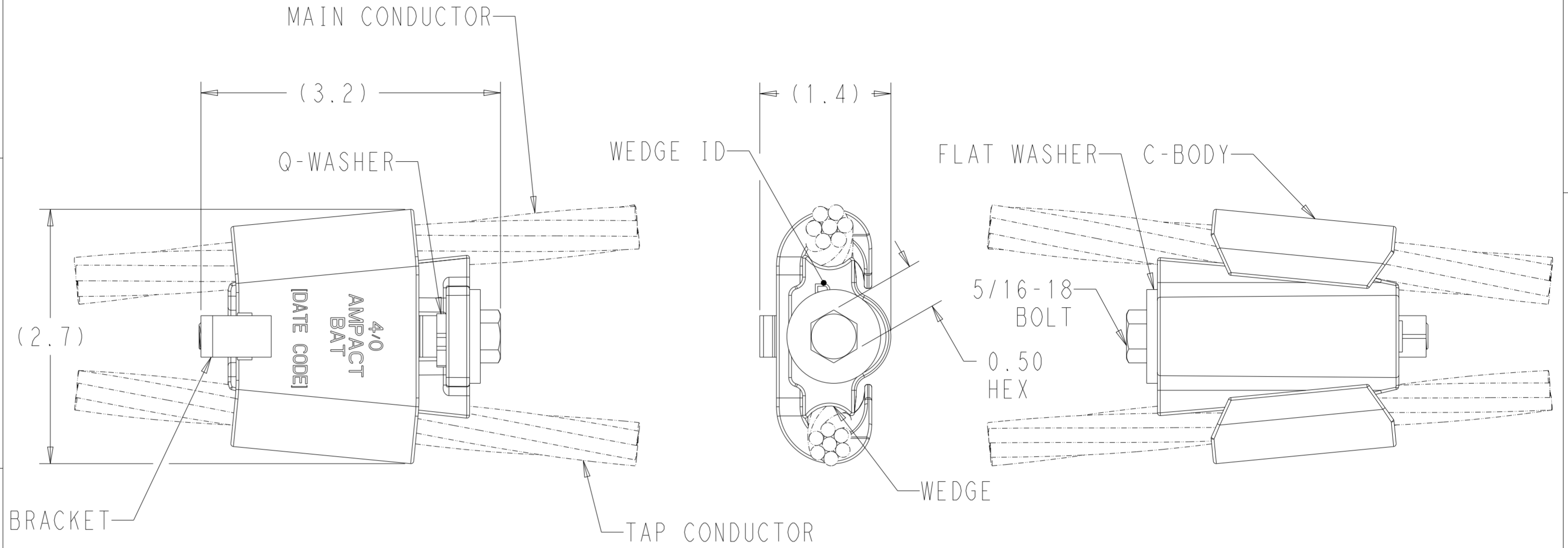


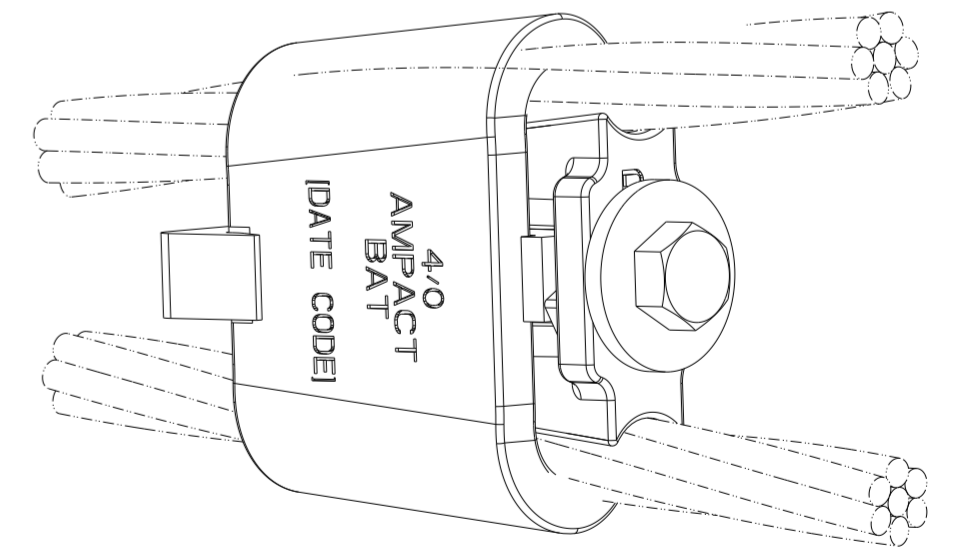
REVISIONS

P	LTR	DESCRIPTION	DATE	DWN	APVD
	A	INITIAL REL. AS PER ECN-24-256657	15MAR2024	AKA	GP

WEDGE ID	TAP CONDUCTOR	MAIN CONDUCTOR	PART NO.
G	#6 AAC-ACSR, SOL	#4 AAC-ACSR	2445483-7
	#4 SOL		
	#6 AAC-ACSR, SOL	#6 AAC-ACSR	
F	#6 AAC-ACSR, SOL	1/0 AAC-ACSR	2445483-6
	#4 AAC-ACSR, SOL		
	#6 AAC-ACSR, SOL	#2 AAC-ACSR	
	#2 SOL		
	#4 AAC-ACSR	#4 AAC-ACSR	
E	#4 SOL	3/0 AAC-ACSR	2445483-5
	#6 AAC-ACSR, SOL		
	#4 AAC-ACSR, SOL		
	#6 AAC-ACSR, SOL	2/0 AAC-ACSR	
	#2 SOL		
	#2 AAC-ACSR, SOL	1/0 AAC-ACSR	
	#4 AAC-ACSR, SOL	#2 AAC-ACSR	
D	#2 SOL	4/0 AAC-ACSR	2445483-4
	#4 AAC-ACSR, SOL		
	#6 AAC-ACSR, SOL		
	#2 AAC-ACSR, SOL	3/0 AAC-ACSR	
	#4 AAC-ACSR		
	1/0 SOL	2/0 AAC-ACSR	
	#2 AAC-ACSR	1/0 AAC-ACSR	
C	#2 AAC-ACSR	4/0 AAC-ACSR	2445483-3
	2/0 SOL	3/0 AAC-ACSR	
	1/0 AAC-ACSR, SOL		
	2/0 AAC-ACSR, SOL	2/0 AAC-ACSR	
	1/0 AAC-ACSR		
B	3/0 SOL	4/0 AAC-ACSR	2445483-2
	2/0 AAC-ACSR, SOL		
	1/0 AAC-ACSR, SOL		
	3/0 AAC-ACSR, SOL	3/0 AAC-ACSR	
A	4/0 AAC-ACSR, SOL	4/0 AAC-ACSR	2445483-1
	3/0 AAC-ACSR		



NOTES: -
1. ACCOMODATES: SEE TABLE



THIS DRAWING IS A CONTROLLED DOCUMENT.		DWN ARJUN K A 15MAR2024	STE TE Connectivity	
DIMENSIONS: INCHES		CHK LIJITH S 15MAR2024		
TOLERANCES UNLESS OTHERWISE SPECIFIED:		APVD GEORGE P 15MAR2024	NAME TAP CONNECTOR, SMALL SIZE, ALUMINIUM ALLOY, AMPACT BAT	
0 PLC ±		PRODUCT SPEC -	SIZE A2	
1 PLC ±		APPLICATION SPEC -	CAGE CODE 00779	DRAWING NO C-2445483
2 PLC ±		WEIGHT -	RESTRICTED TO -	
3 PLC ±		CUSTOMER DRAWING		
4 PLC ±		SCALE NTS		
ANGLES ±		SHEET 1 OF 1		
FINISH -		REV A		