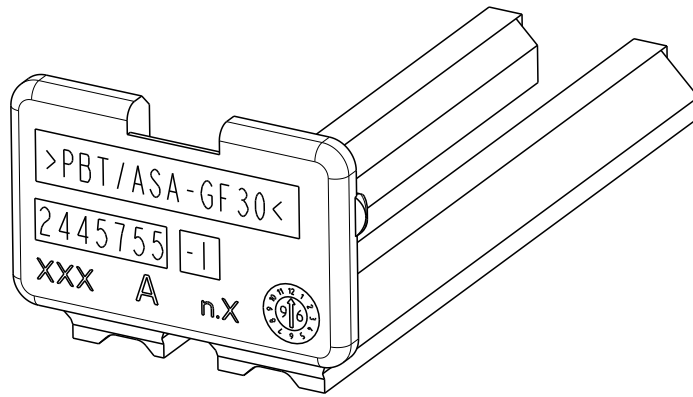


REVISIONS				
P	LTR	DESCRIPTION	DATE	APVD
	A	INITIAL RELEASE	01FEB2023	W.W Z.Z



REMARKS:

DIMENSIONS, DETAILS AND NOTES SEE PRODUCT GROUP DRAWING:

1355071 AND 1355072

(FOR DB: PART SHOWN ON RESTRICTED CUSTOMER DRAWINGS 968277 AND 967278)

© 2023 TE Connectivity. All Rights Reserved.

2445755-1	SECOND LOCKING DEVICE FOR 15POS. HSG.	PBT-GF30	Traffic Purple	1
PART NO	DESCRIPTION	MATERIAL	COLOUR	ITEM NO

DIMENSIONS:
mm

TOLERANCES UNLESS OTHERWISE SPECIFIED:

0 PLC	±-
1 PLC	±0.5
2 PLC	±0.13
3 PLC	±0.013
4 PLC	±0.0001
ANGLES	±-

DWN W.WANG	01FEB2023	MATERIAL	SEE TABLE	FINISH	-
CHK C.WAN	01FEB2023				
APVD Z.ZHOU	01FEB2023				
PRODUCT SPEC	-	NAME SECOND LOCKING DEVICE FOR 15POS. HSG			
APPLICATION SPEC	-	SIZE	CAGE CODE	DRAWING NO	RESTRICTED TO
WEIGHT	-	A 4	00779	C-2445755	-

CUSTOMER DRAWING	SCALE	2:1	SHEET	1 OF 1	REV	A
------------------	-------	-----	-------	--------	-----	---