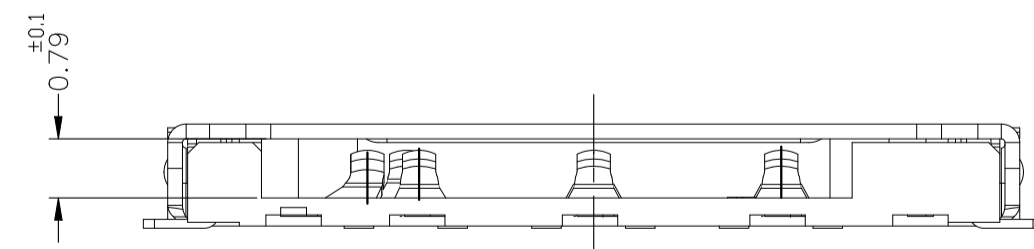
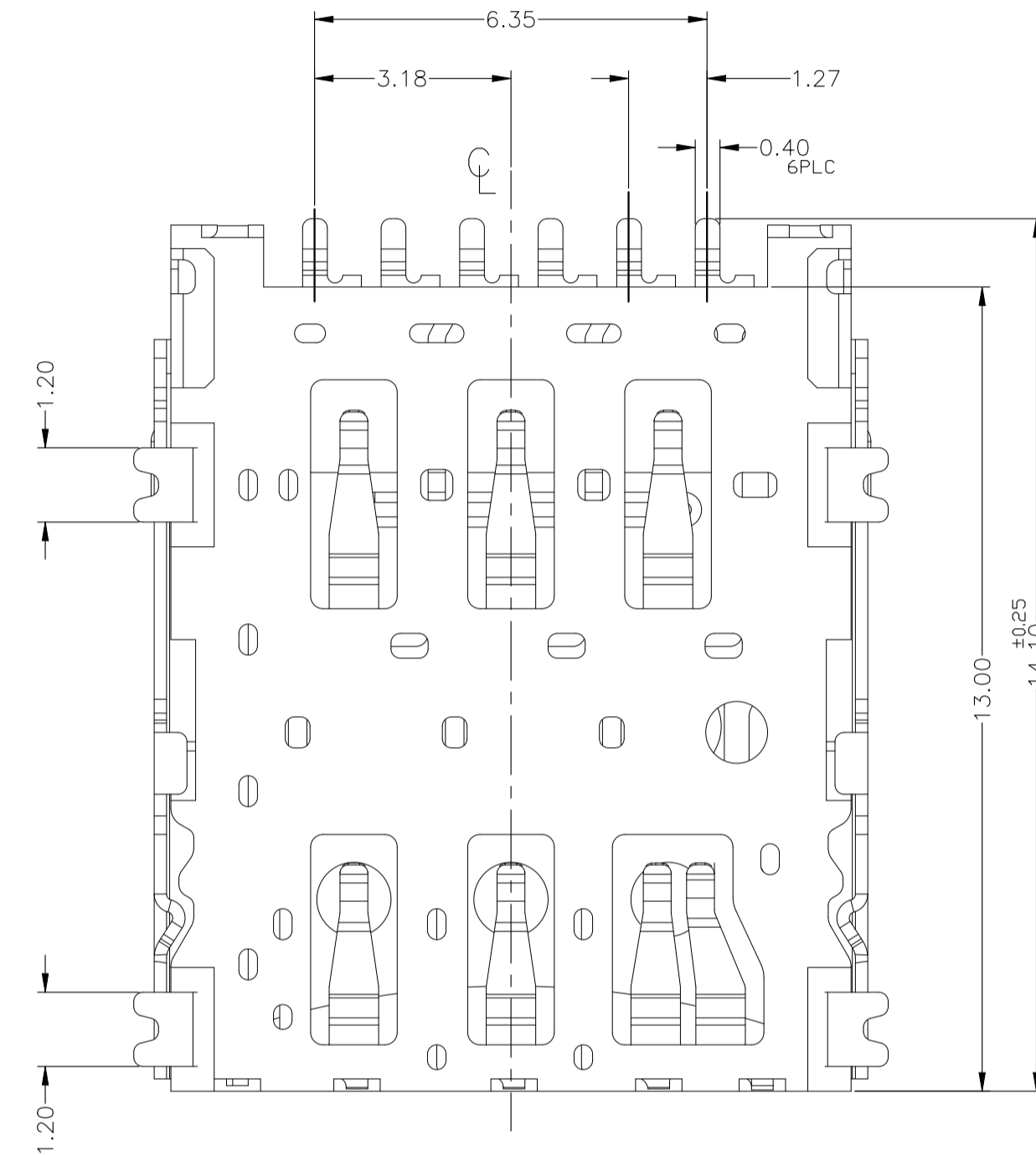
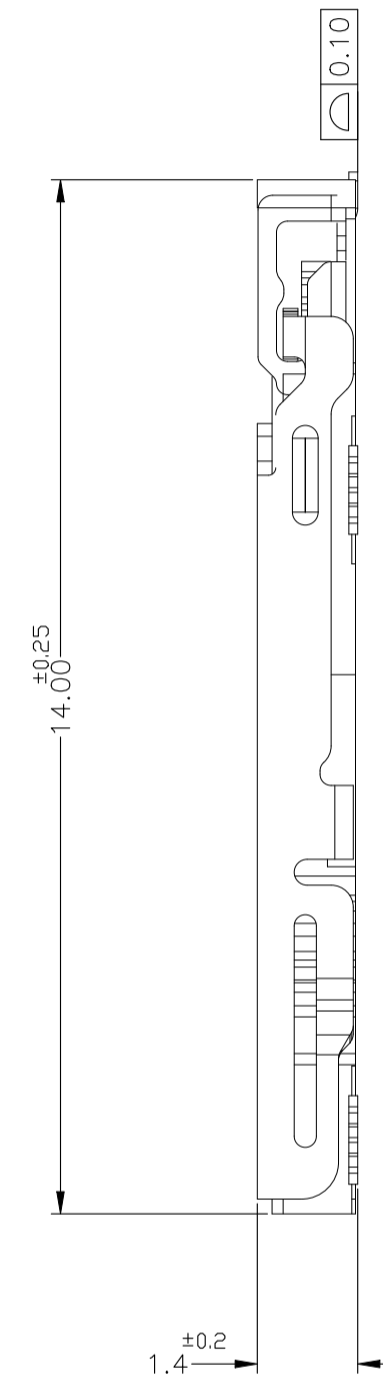
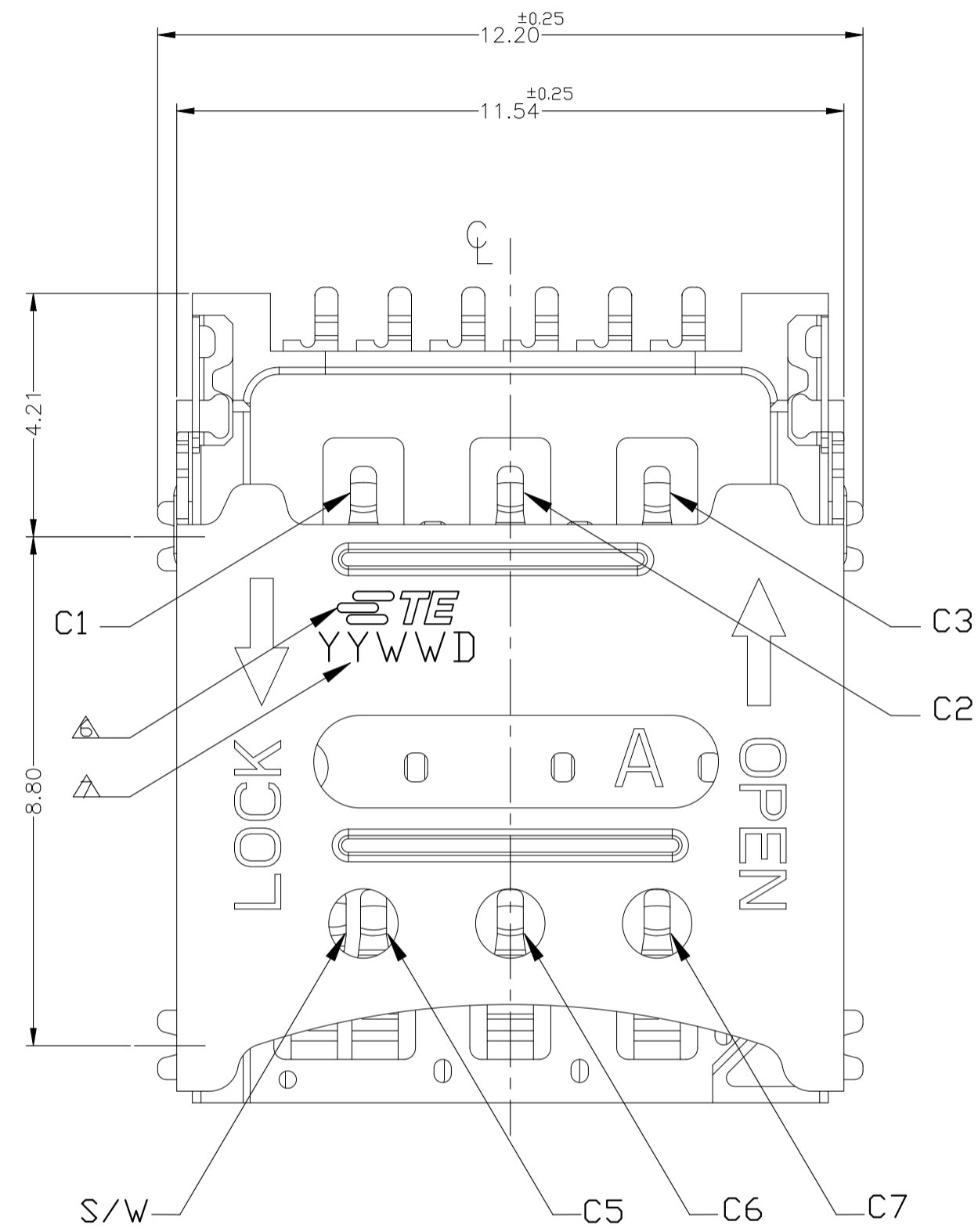
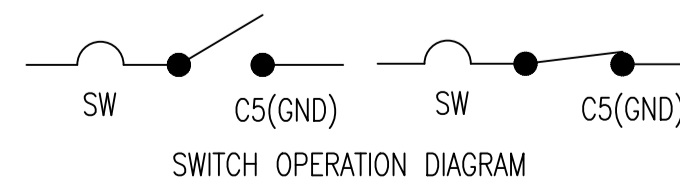


REVISIONS				
P	LTR	DESCRIPTION	DATE	APVD
C		REVISED	22AUG2023	T.W H.T



ELECTRIC FUNCTION	DETECT SWITCH
WITHOUT CARD	OPEN
CARD INSERTED	CLOSED



1. MATERIAL HOUSING,SLIDER : THERMOPLASTIC RESIN  
 UL94V-0, COLOR;BLACK  
 CONTACT : COPPER ALLOY  
 SHELL : STAINLESS STEEL

△ FINISH CONTACT: Au PL AT CONTACT AREA 0.076um MIN  
 Au PL AT SOLDERING AREA : GOLD FLASH  
 SHELL : Au PL AT SOLDERING : GOLD FLASH

△ NON-CUMULATIVE TOLERANCE

4. COPLANARITY IS 0.1MAX.

△ CIRCUIT DRAWING OF SWITCH.

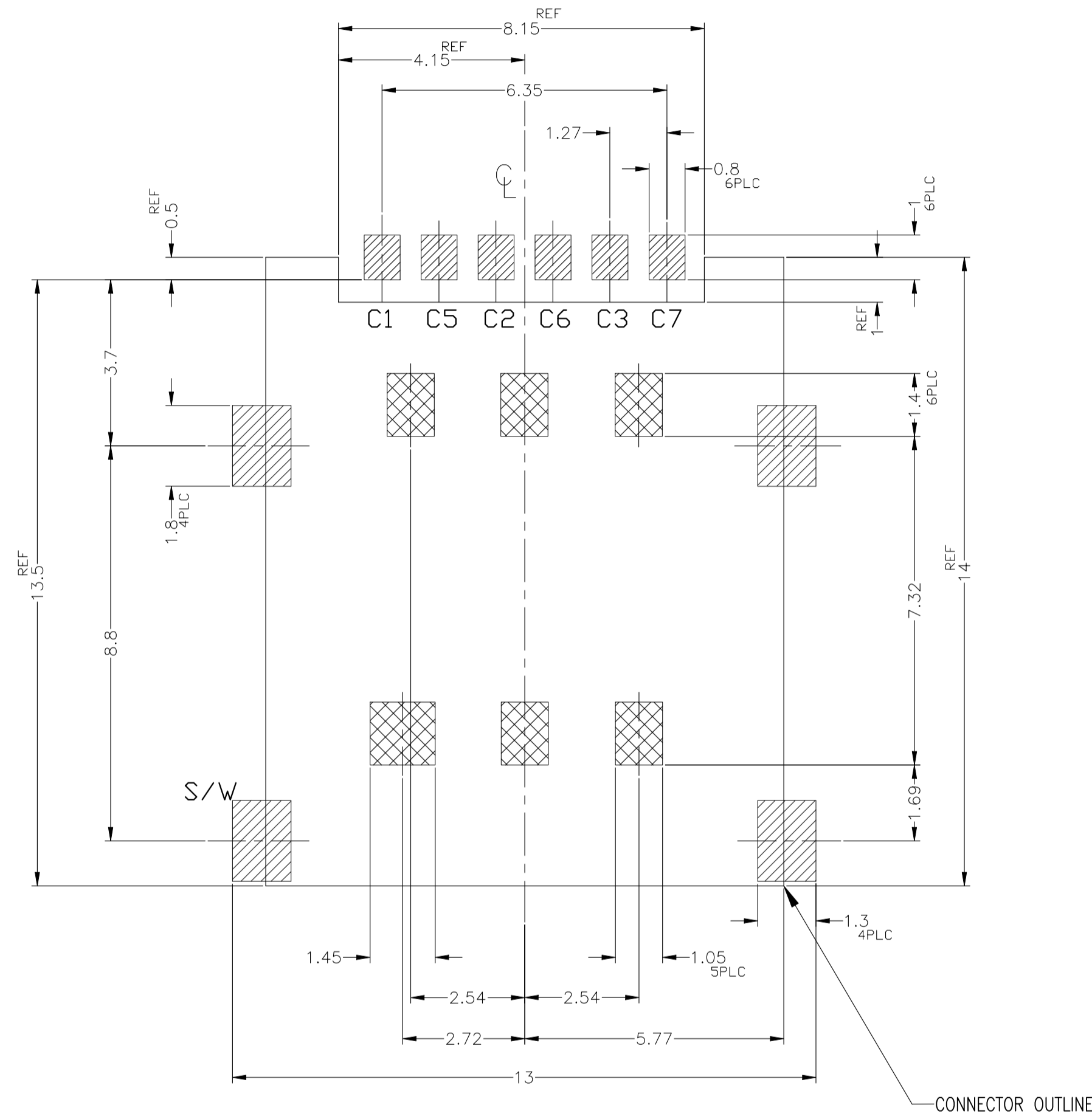
△ TE LOGO

△ DATE CODE : YYWWD



△	2452796-1
FINISH	PART NUMBER


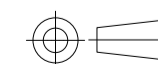
THIS DRAWING IS A CONTROLLED DOCUMENT.		DWN T.WATANABE 6MAR2023	TE Connectivity	
DIMENSIONS: mm		CHK H.TAMURA 6MAR2023		
TOLERANCES UNLESS OTHERWISE SPECIFIED:		APVD H.TAMURA 6MAR2023	NAME	
0-PLC ± 1-PLC ± 0.25 2-PLC ± 0.15 3-PLC ± 0.1 4-PLC ± ANGLES ± 5° FINISH		PRODUCT SPEC 108-140327		NANO SIM CARD CONNECTOR HINGE TYPE
MATERIAL		WEIGHT 0.5	SIZE A2	CAGE CODE 00779
		DRAWING NO C-2452796		RESTRICTED TO
		CUSTOMER DRAWING		SCALE 10:1 SHEET 1 OF 4 REV C

P	LTR	DESCRIPTION	DATE	DWN	APVD
-	-	SEE SHEET 1	-	-	-



RECOMMENDED P.C.B LAYOUT  
GENERAL TOLERANCE ±0.05

-  PAD AREA
-  CONNECTOR OUTLINE
-  NO PATTERN AND VIA HOLE IN THIS AREA

THIS DRAWING IS A CONTROLLED DOCUMENT.		DWN	 TE Connectivity	
DIMENSIONS: mm		CHK	NAME	
		APVD	NANO SIM CARD CONNECTOR HINGE TYPE	
TOLERANCES UNLESS OTHERWISE SPECIFIED:		PRODUCT SPEC	SIZE	CAGE CODE
0-PLC ±0.15 1-PLC ±0.15 2-PLC ±0.15 3-PLC ±0.15 4-PLC ±0.15 ANGLES ±0.5 FINISH		APPLICATION SPEC	DRAWING NO	RESTRICTED TO
MATERIAL		WEIGHT	A2	00779
CUSTOMER DRAWING		C-2452796		SCALE 10:1 SHEET 2 OF 4 REV C

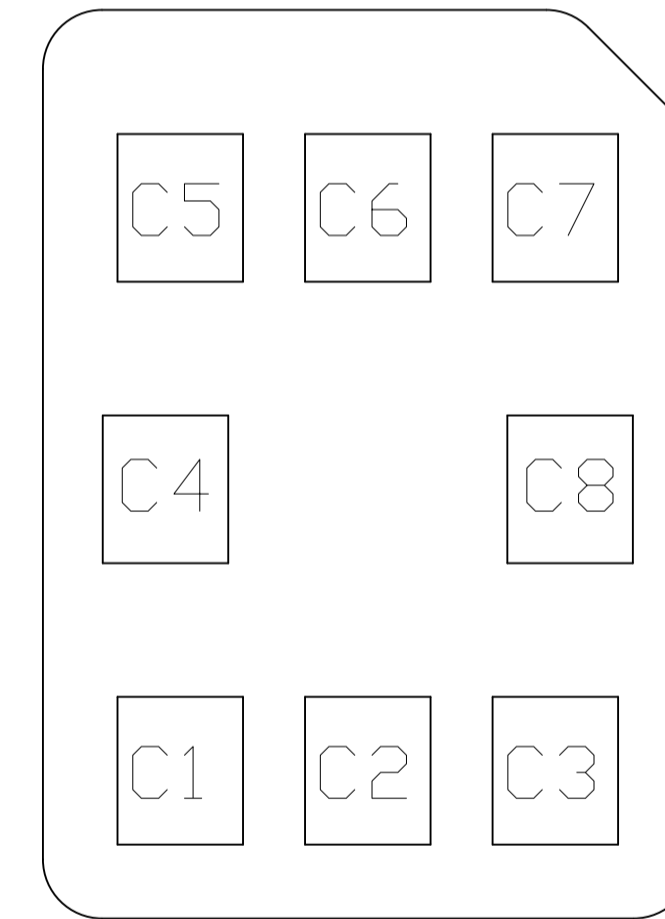
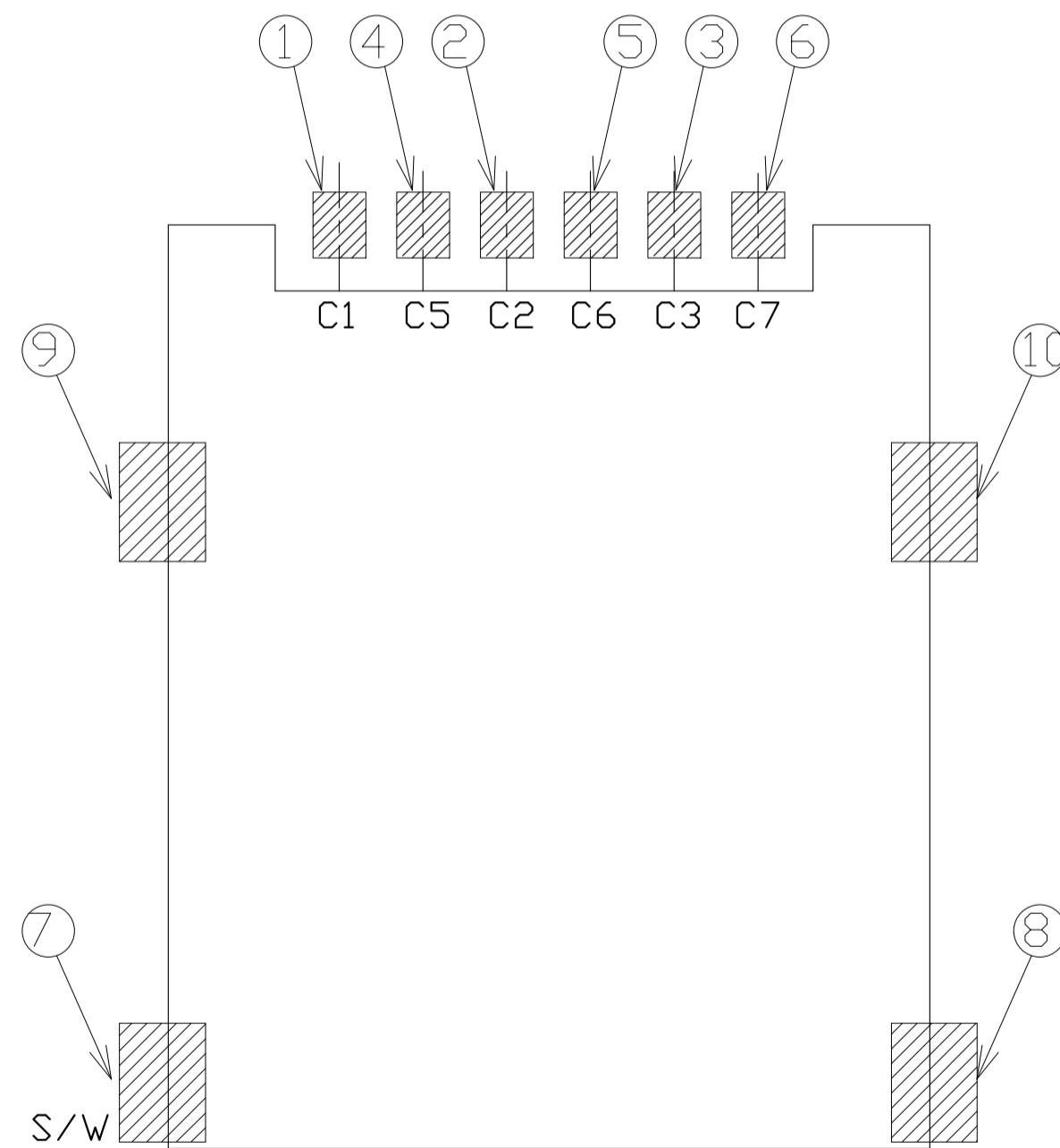
REVISIONS					
P	LTR	DESCRIPTION	DATE	DWN	APVD
-	-	SEE SHEET 1	-	-	-

### Connector Pin Assignment

No.	Pin Name	Description
①	C1	Vcc of SIM
②	C2	RST of SIM
③	C3	CLK of SIM
④	C5	GND of SIM
⑤	C6	Vpp of SIM
⑥	C7	I/O of SIM
⑦	SW	DETECTION SWITCH
⑧ ~ ⑩	GND	Ground

### SIM Card Pin Assignment

Pin No.	Name
C1	Vcc
C2	RST
C3	CLK
C4	N/A
C5	GND
C6	Vpp
C7	I/O
C8	N/A

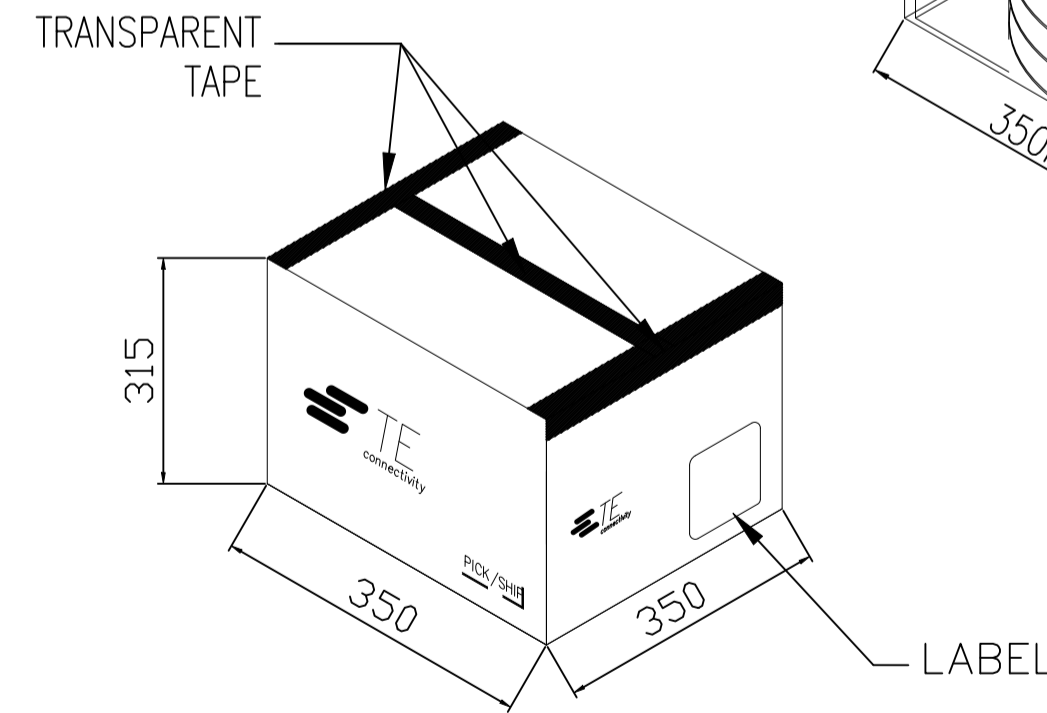
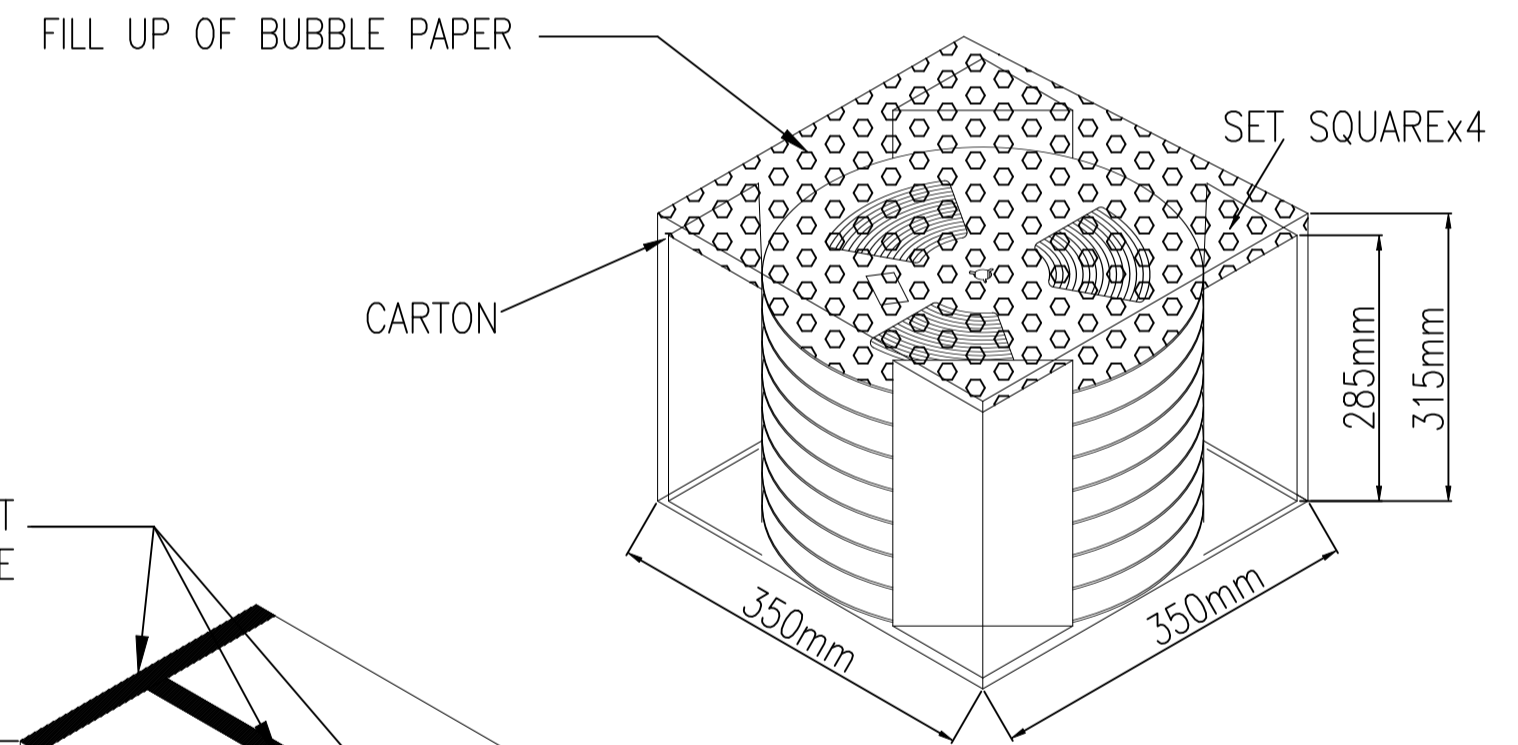
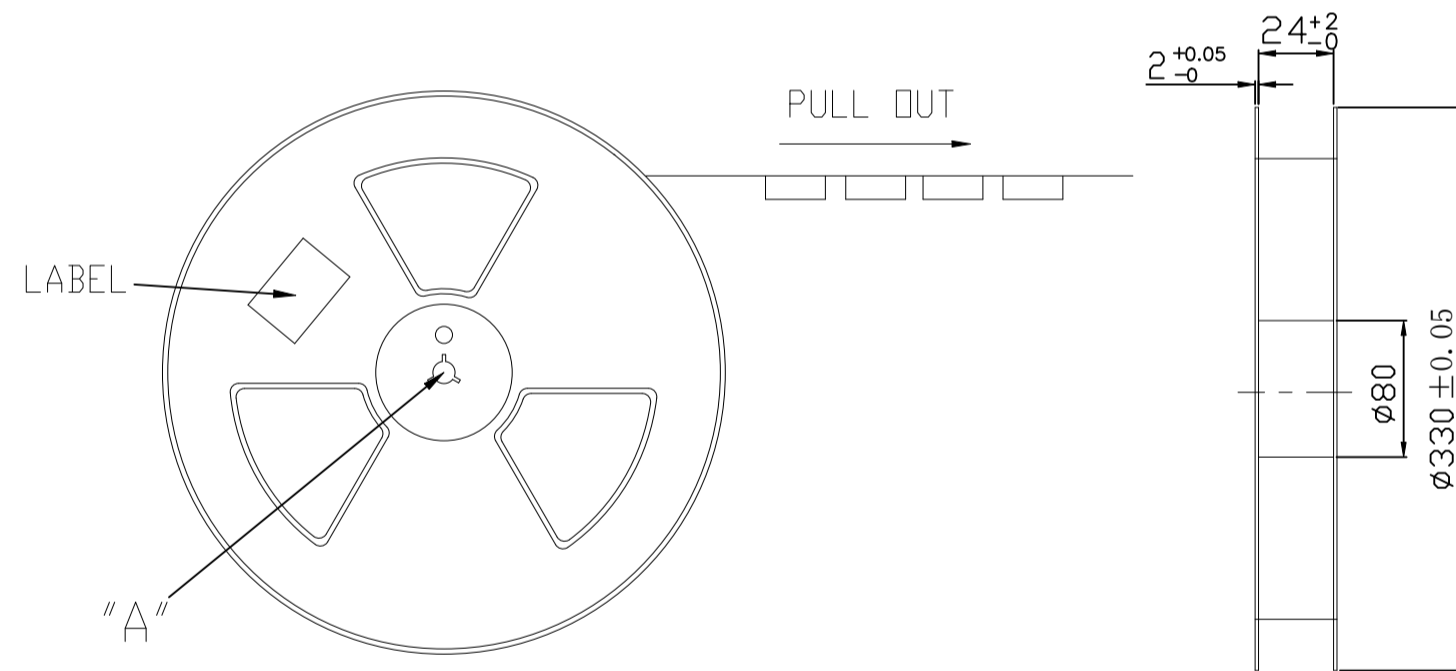
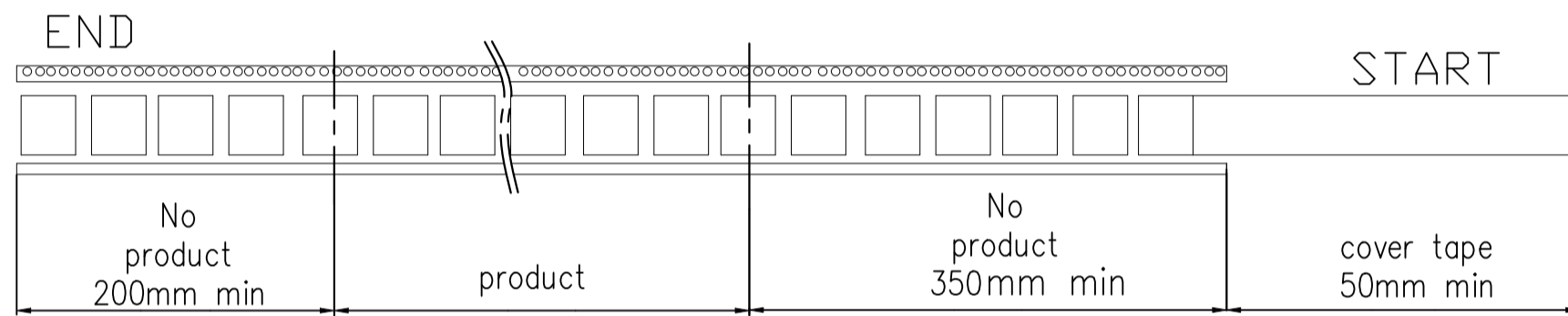
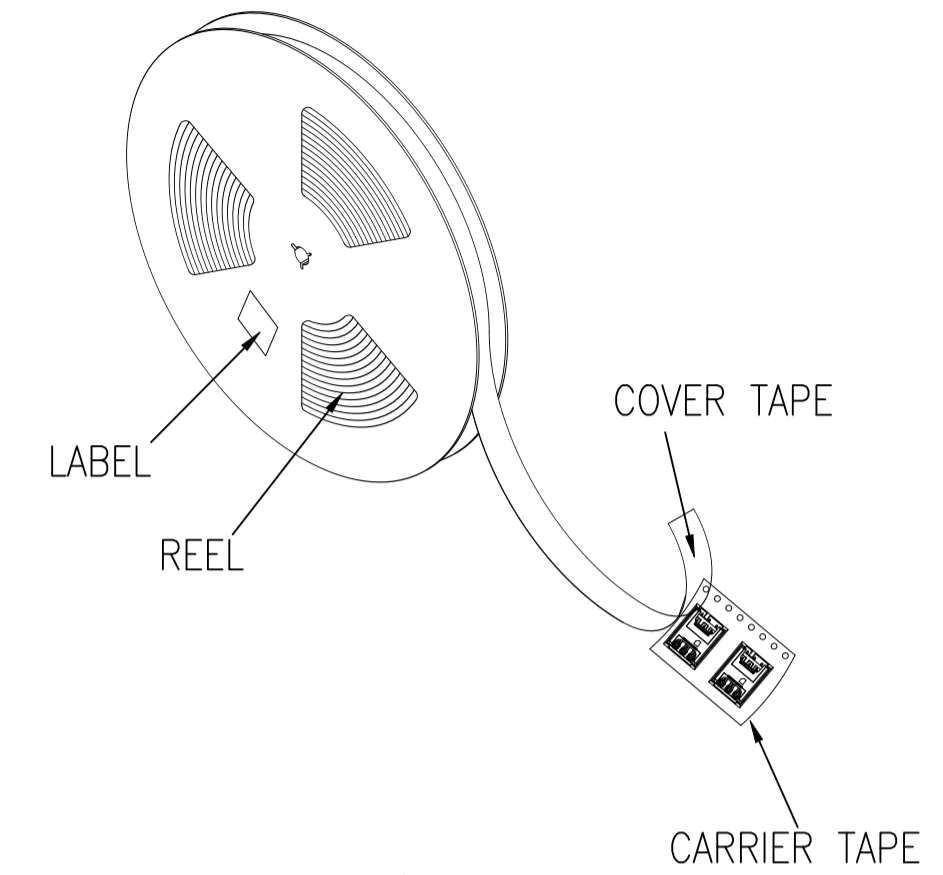
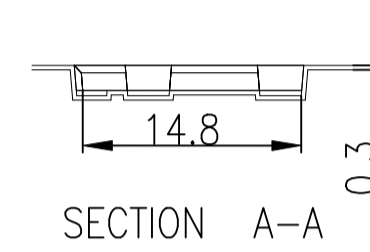
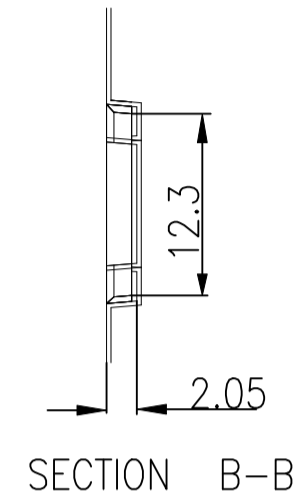
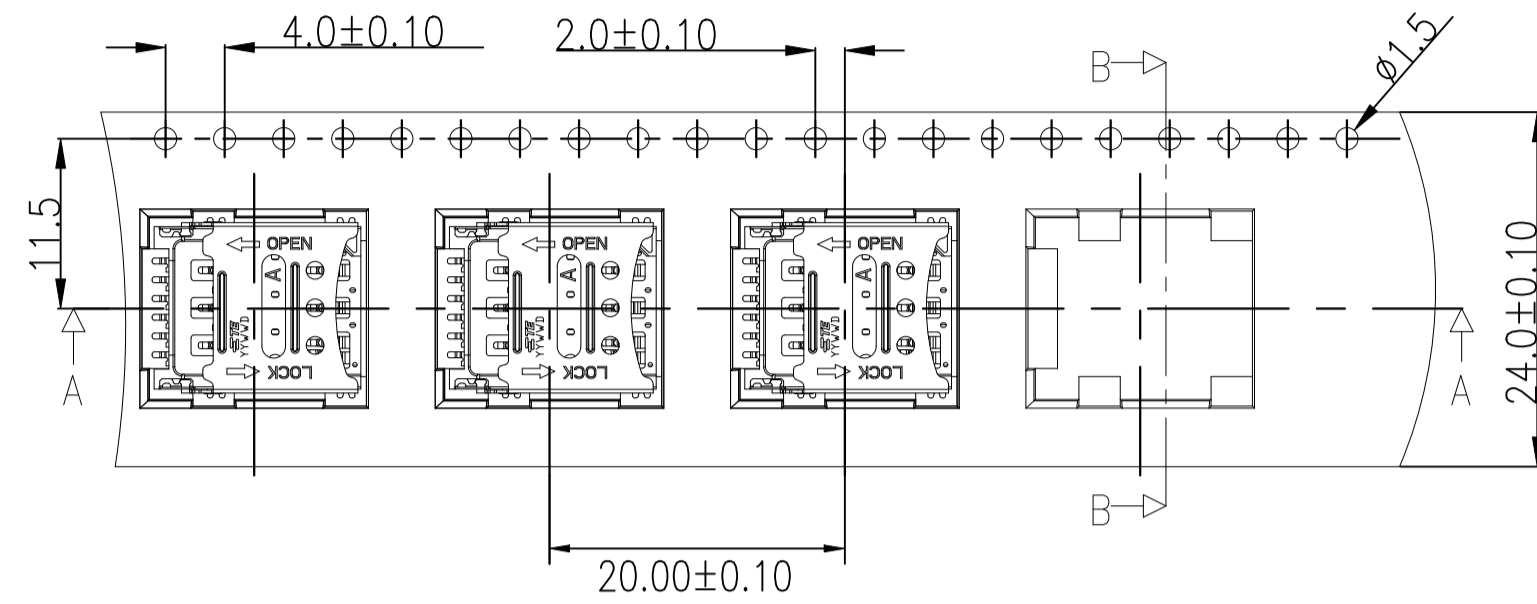


### SIM CARD PAD LAYOUT

PCB LAYOUT(REFERENCE)  
(VIEWED FROM CONNECTOR MOUNT SIDE)

THIS DRAWING IS A CONTROLLED DOCUMENT.		DWN	TE Connectivity	
DIMENSIONS: mm		CHK	NAME	
TOLERANCES UNLESS OTHERWISE SPECIFIED:		APVD	NANO SIM CARD CONNECTOR HINGE TYPE	
0-PLC		PRODUCT SPEC	SIZE	CAGE CODE
1-PLC		APPLICATION SPEC	A2	00779
2-PLC		WEIGHT	DRAWING NO. C-2452796	
3-PLC		CUSTOMER DRAWING	SCALE	SHEET
4-PLC			10:1	3 of 4
ANGLES				REV C
FINISH				

REVISIONS					
P	LTR	DESCRIPTION	DATE	DWN	APVD
-	-	SEE SHEET 1	-	-	-



G.W.:1.01 KG  
 Q'ty:1500pcs/Reel  
 N.W.:3.60 KG  
 G.W.:8.1KG  
 Q'ty :10500 pcs per Carton (7 Reel set in order)  
 Meas : 35.00L×35.00W×31.50H cm

THIS DRAWING IS A CONTROLLED DOCUMENT.		DWN	TE Connectivity		
DIMENSIONS: mm		CHK	NAME		
TOLERANCES, UNLESS OTHERWISE SPECIFIED:		APVD	NANO SIM CARD CONNECTOR HINGE TYPE		
0 PLC ±		PRODUCT SPEC	SIZE	CAGE CODE	DRAWING NO
1 PLC ±		APPLICATION SPEC	A2	00779	C-2452796
2 PLC ±		WEIGHT	RESTRICTED TO		
3 PLC ±		CUSTOMER DRAWING	SCALE	SHEET	REV
4 PLC ±			NTS	4 of 4	C
ANGLES ±					
FINISH					