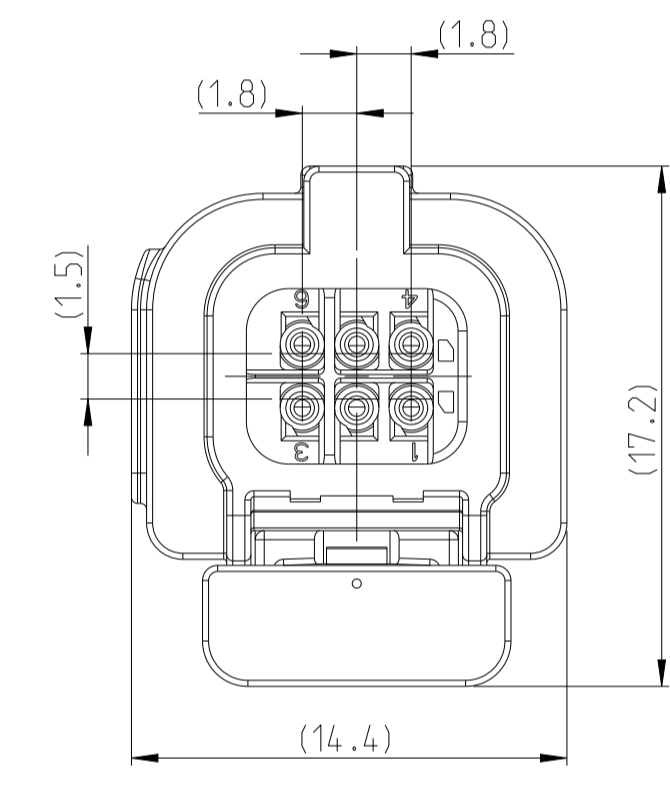
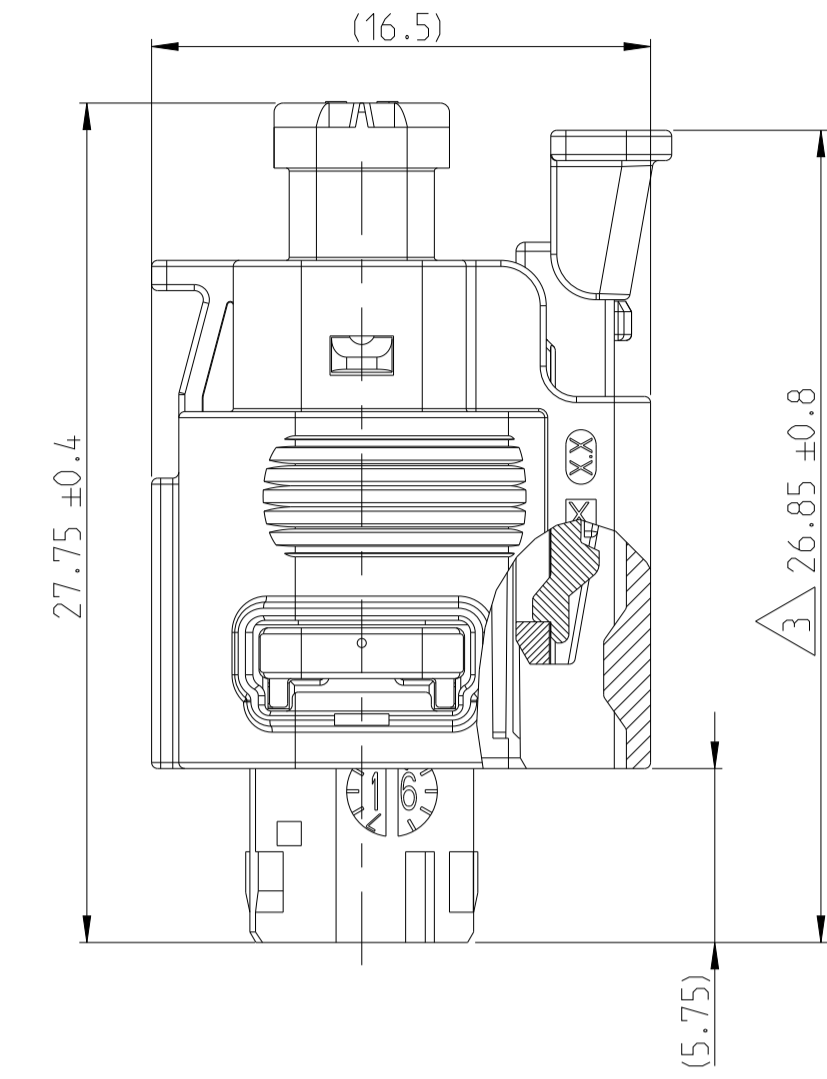
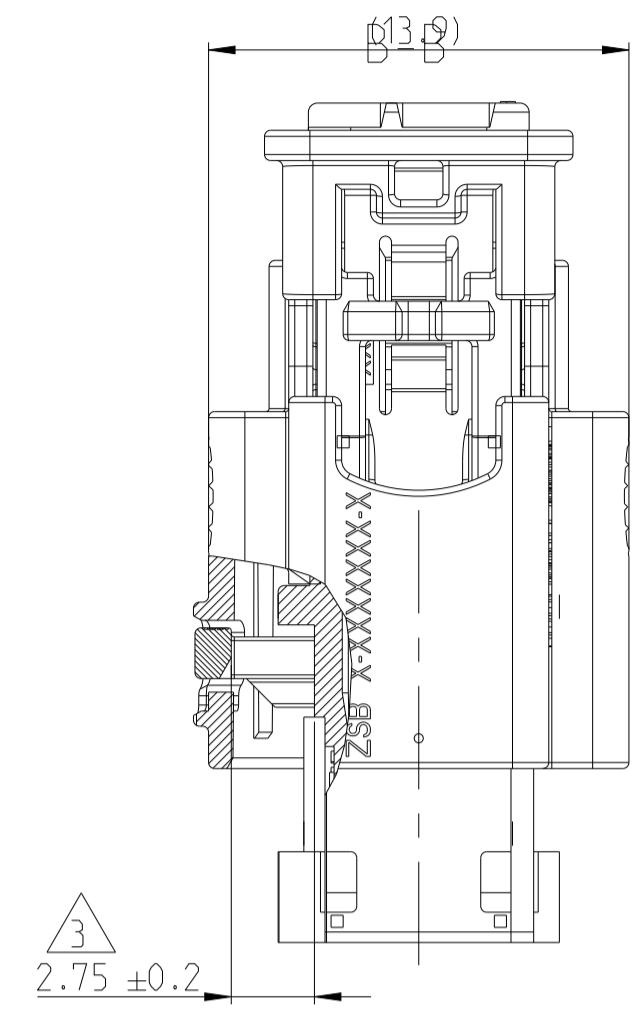
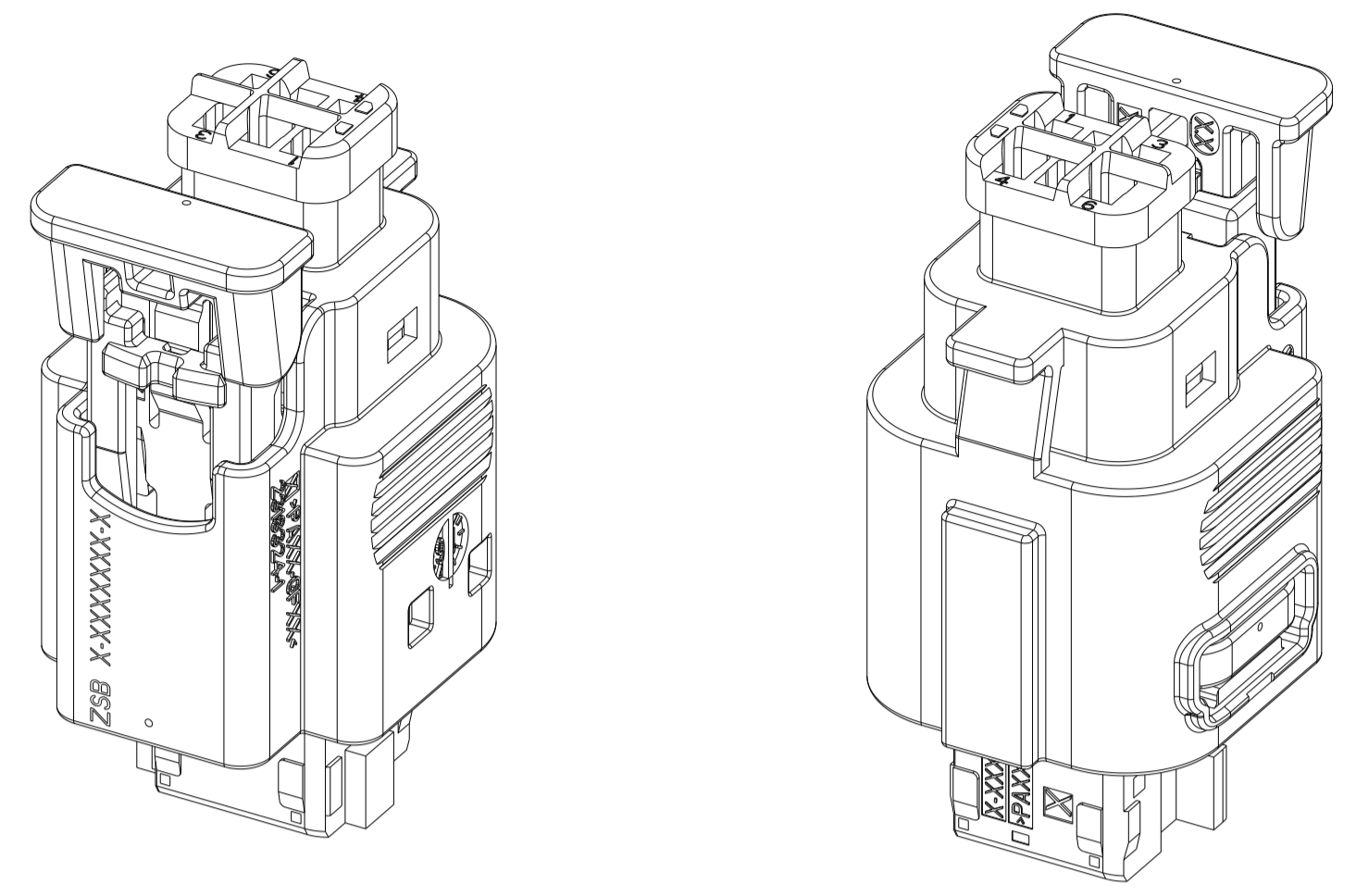
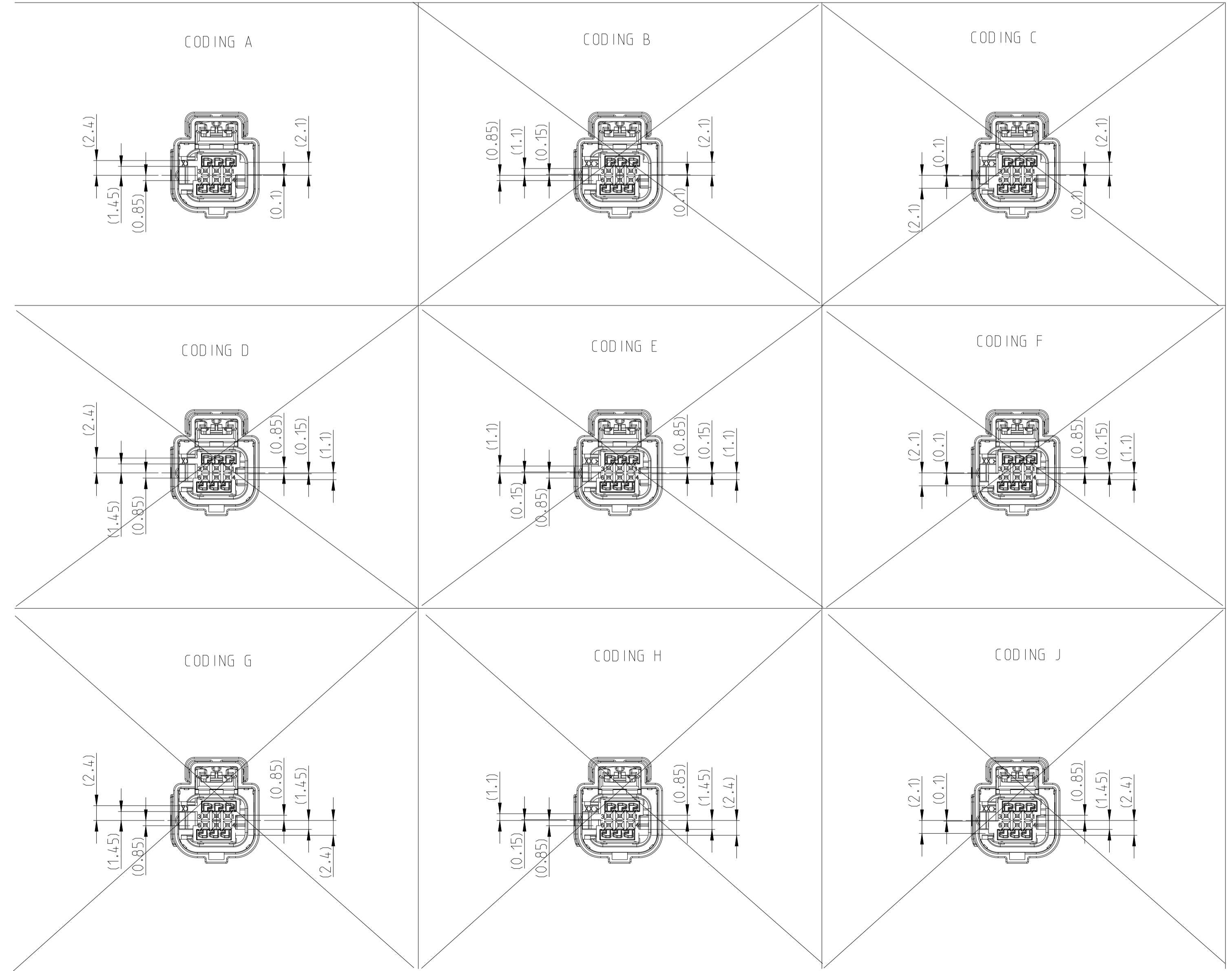


REVISIONS				
P	LTN	DESCRIPTION	DATE	APVD
A		PRELIMINARY	23APR23	Q.L. J.Z
A1		ECN-24-272889	28JUN24	GSK J.Z

3D VIEW 2x3POSN



CODINGS VALID FOR ALL VARIANTS (SCALE 2:1)



- NOTES A1
- PACKING: BULK MATERIAL IN PLASTIC BAG 0-740030-3 AND SHIPPING BOX 0-973058-3 WITH 2x PAPER CUSHION 0-740045-3 ACC. SPEC.107-18052
 - INSULATION DIAMETER: FROM 0.95mm TO 1.3mm
 - DELIVERY STATUS:
SECONDARY LOCK MUST BE IN PRE LOCK POSITION
CPA MUST BE IN PRE LOCK POSITION
 - PRODUCT GROUP DRAWING OF THE DUAL ROW MCON 0.5 SOCKET HOUSING MATCHING WITH THE AK-INTERFACE STANDARD 208-18009 / V1 AND V2 ('0' VERSION)

CONTACTS: MCON 0.5 CB	SEE DRW. 2177908 2177909	XXX
SPECIAL UNLOCKING TOOLS	RETAINER: S-1579028-1 CONTACT: S-1579007-9 2-1579028-8	XXX
TO BE USED WITH	XXX	XXX
PACKING	BULK PACKAGING	XXX
FITTING BLINDPLUGS	2236139-1	XXX
COUNTERPART	XXX	XXX
INTERFACE	208-18009	XXX
PRODUCT-SPEC.	108-94610	XXX
APPLICATION-SPEC.	114-94496	XXX
	TE CONNECTIVITY NO.	DVP PART

THIS DRAWING IS A CONTROLLED DOCUMENT. DIMENSIONING AND TOLERANCING PER GPS (ISO STANDARDS) UNLESS OTHERWISE SPECIFIED.

DIMENSIONS:	mm	TOLERANCES UNLESS OTHERWISE SPECIFIED:	0 PLC #	1 PLC #	2 PLC #	3 PLC #	4 PLC #	ANGLES #°	FINISH #
MATERIAL	-	-	-	-	-	-	-	-	-

OWN	J.ZE	23APR2023
CHK	S.FAN	23APR2023
APVD	J.ZONG	23APR2023
PRODUCT SPEC	-	-
APPLICATION SPEC	-	-
WEIGHT	-	-
CUSTOMER DRAWING	-	-

NAME: 2-REIHIGE MCON 0.5 BUCHSENSTECKER

SIZE: A1 CAGE CODE: 00779 DRAWING NO: C=2458878

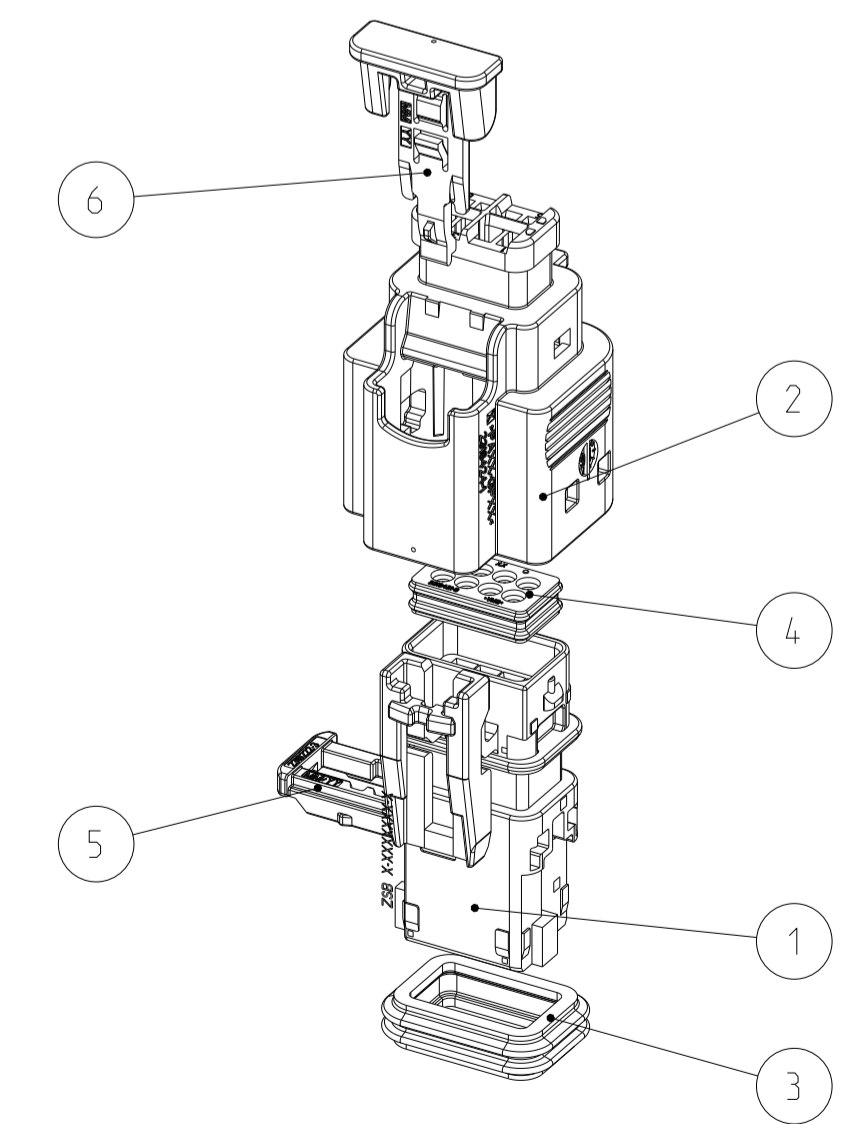
RESTRICTED TO: -

SCALE: 4:1 SHEET: 1 OF 2 REV: A1

REVISIONS				
P	LTN	DESCRIPTION	DATE	OWN APVD
-		SEE SHEET 1	-	-

Item No.	Variant	Material	Description	Color	QTY
2458878-9	A	1-2300154-1	CPA	RED	6
		2318222-2	TPA REC HSG.6POS.MCON 0.5	PURPLE	5
		2318321-1	FAMILY SEAL.MCON 0.5.2X3POS	BLUE	4
		2318320-1	PERIPHERAL SEAL.7.2LEN X 5.4W IDTH	RED BROWN	3
2458878-8	A	2318324-1	REC CONN CVR.6POS.MCON 0.5.TWO ROW	BLACK	2
		2318323-9	6POS.MCON 0.5.REC HSG.SLD.COD J.TWO ROW	CURRY	1
		1-2300154-1	CPA	RED	6
		2318222-2	TPA REC HSG.6POS.MCON 0.5	PURPLE	5
2458878-7	A	2318321-1	FAMILY SEAL.MCON 0.5.2X3POS	BLUE	4
		2318320-1	PERIPHERAL SEAL.7.2LEN X 5.4W IDTH	RED BROWN	3
		2318324-4	REC CONN CVR.6POS.MCON 0.5.TWO ROW	BLACK	2
		2318323-7	6POS.MCON 0.5.REC HSG.SLD.COD G.TWO ROW	LIGHT PINK	1
2458878-6	A	1-2300154-1	CPA	RED	6
		2318222-2	TPA REC HSG.6POS.MCON 0.5	PURPLE	5
		2318321-1	FAMILY SEAL.MCON 0.5.2X3POS	BLUE	4
		2318320-1	PERIPHERAL SEAL.7.2LEN X 5.4W IDTH	RED BROWN	3
2458878-5	A	2318324-1	REC CONN CVR.6POS.MCON 0.5.TWO ROW	BLACK	2
		2318323-6	6POS.MCON 0.5.REC HSG.SLD.COD F.TWO ROW	GREY	1
		1-2300154-1	CPA	RED	6
		2318222-2	TPA REC HSG.6POS.MCON 0.5	PURPLE	5
2458878-4	A	2318321-1	FAMILY SEAL.MCON 0.5.2X3POS	BLUE	4
		2318320-1	PERIPHERAL SEAL.7.2LEN X 5.4W IDTH	RED BROWN	3
		2318324-4	REC CONN CVR.6POS.MCON 0.5.TWO ROW	BLACK	2
		2318323-4	6POS.MCON 0.5.REC HSG.SLD.COD D.TWO ROW	GREEN	1
2458878-3	A	1-2300154-1	CPA	RED	6
		2318222-2	TPA REC HSG.6POS.MCON 0.5	PURPLE	5
		2318321-1	FAMILY SEAL.MCON 0.5.2X3POS	BLUE	4
		2318320-1	PERIPHERAL SEAL.7.2LEN X 5.4W IDTH	RED BROWN	3
2458878-2	A	2318324-1	REC CONN CVR.6POS.MCON 0.5.TWO ROW	BLACK	2
		2318323-3	6POS.MCON 0.5.REC HSG.SLD.COD C.TWO ROW	BLUE	1
		1-2300154-1	CPA	RED	6
		2318222-2	TPA REC HSG.6POS.MCON 0.5	PURPLE	5
2458878-1	A	2318321-1	FAMILY SEAL.MCON 0.5.2X3POS	BLUE	4
		2318320-1	PERIPHERAL SEAL.7.2LEN X 5.4W IDTH	RED BROWN	3
		2318324-1	REC CONN CVR.6POS.MCON 0.5.TWO ROW	BLACK	2
		2318323-2	6POS.MCON 0.5.REC HSG.SLD.COD B.TWO ROW	NATURAL	1

ITEM NO. VALID FOR ALL VARIANTS
SCALE 2:1



THIS DRAWING IS A CONTROLLED DOCUMENT.		OWN: J.ZE	23APR2023	TE Connectivity
DIMENSIONING AND TOLERANCING PER GPS (ISO STANDARDS)		CHK: S.FAN	23APR2023	
DIMENSIONS: mm		APVD: J.ZONG	23APR2023	NAME: 2-REIHIGE MCON 0.5 BUCHSENSTECKER SIZE: A1 CAGE CODE: 00779 DRAWING NO: C=2458878
TOLERANCES UNLESS OTHERWISE SPECIFIED: 0 PLC ± 1 PLC ± 2 PLC ± 3 PLC ± 4 PLC ± ANGLES ±1° MATERIAL: - FINISH: -		PRODUCT SPEC: - APPLICATION SPEC: - WEIGHT: - CUSTOMER DRAWING		
RESTRICTED TO: - SCALE: 4:1 SHEET 2 OF 2 REV: A1				