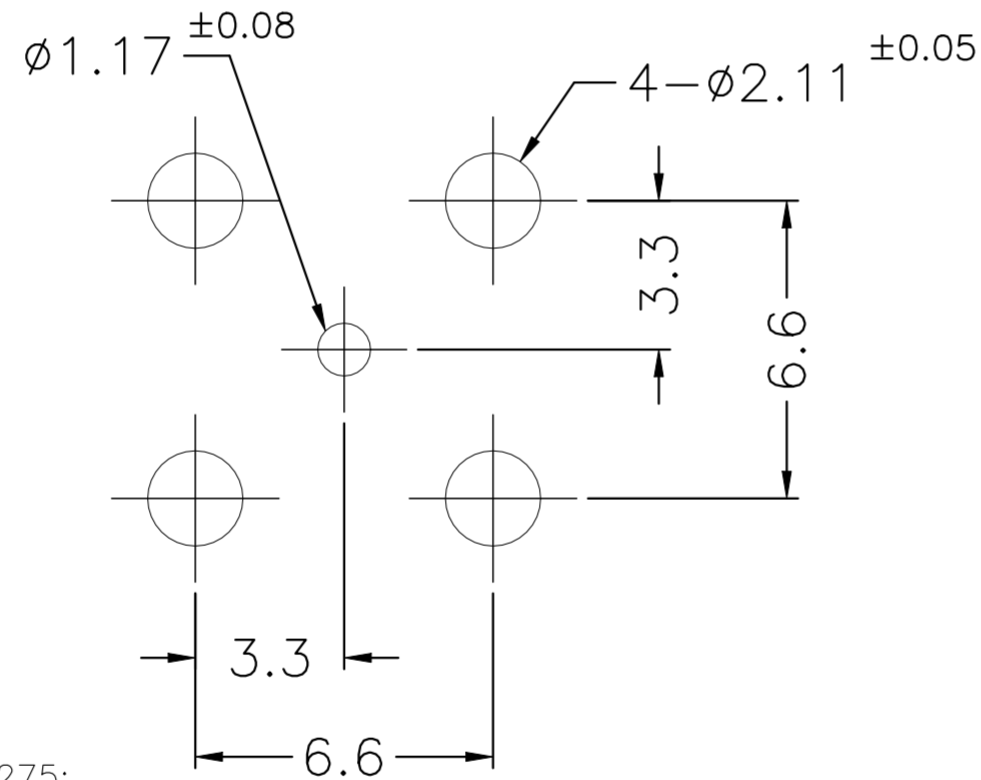
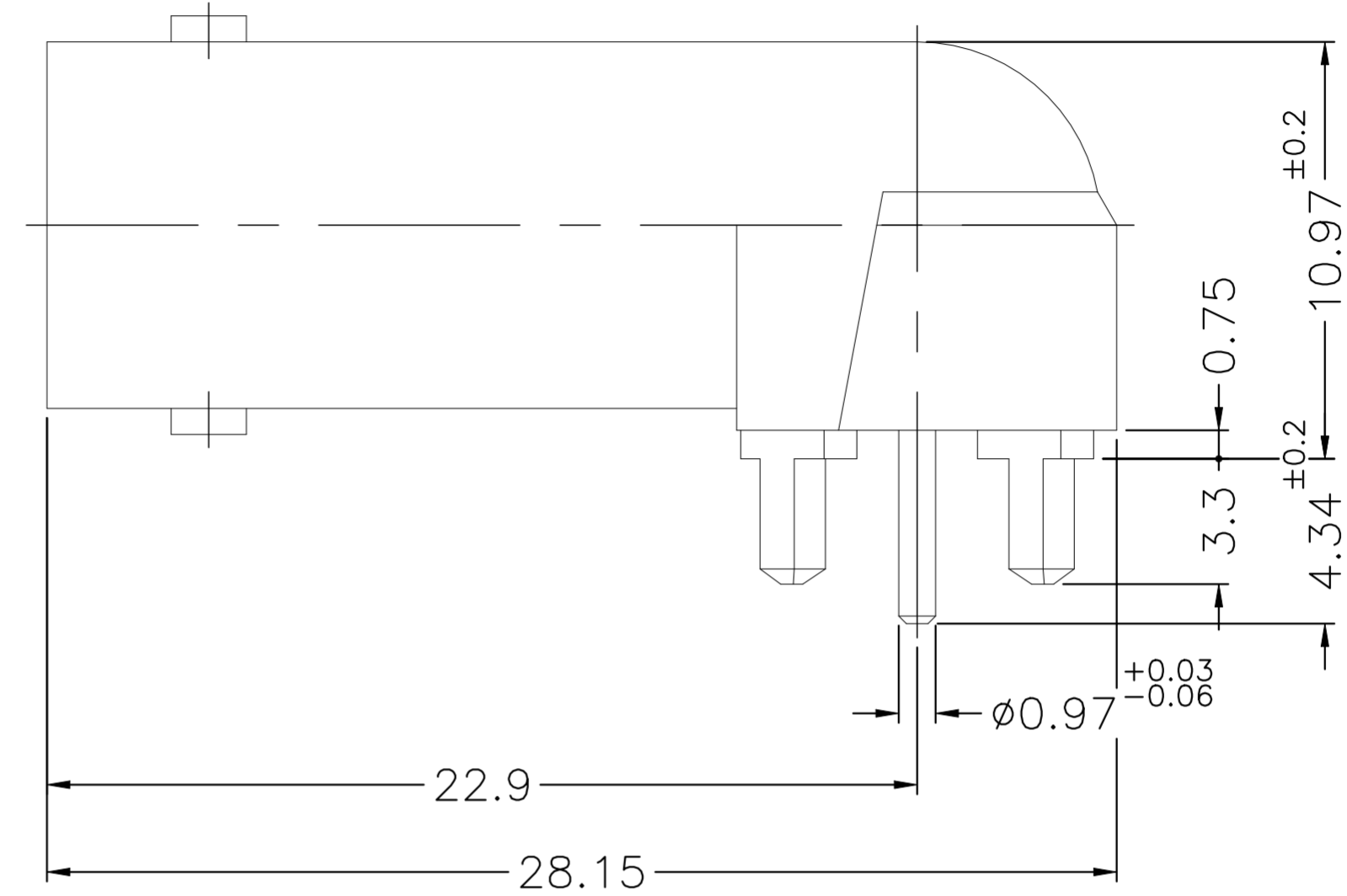
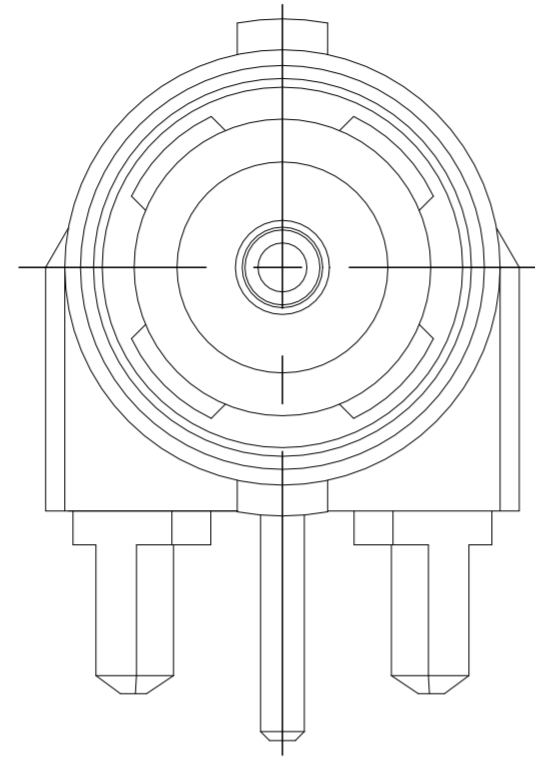
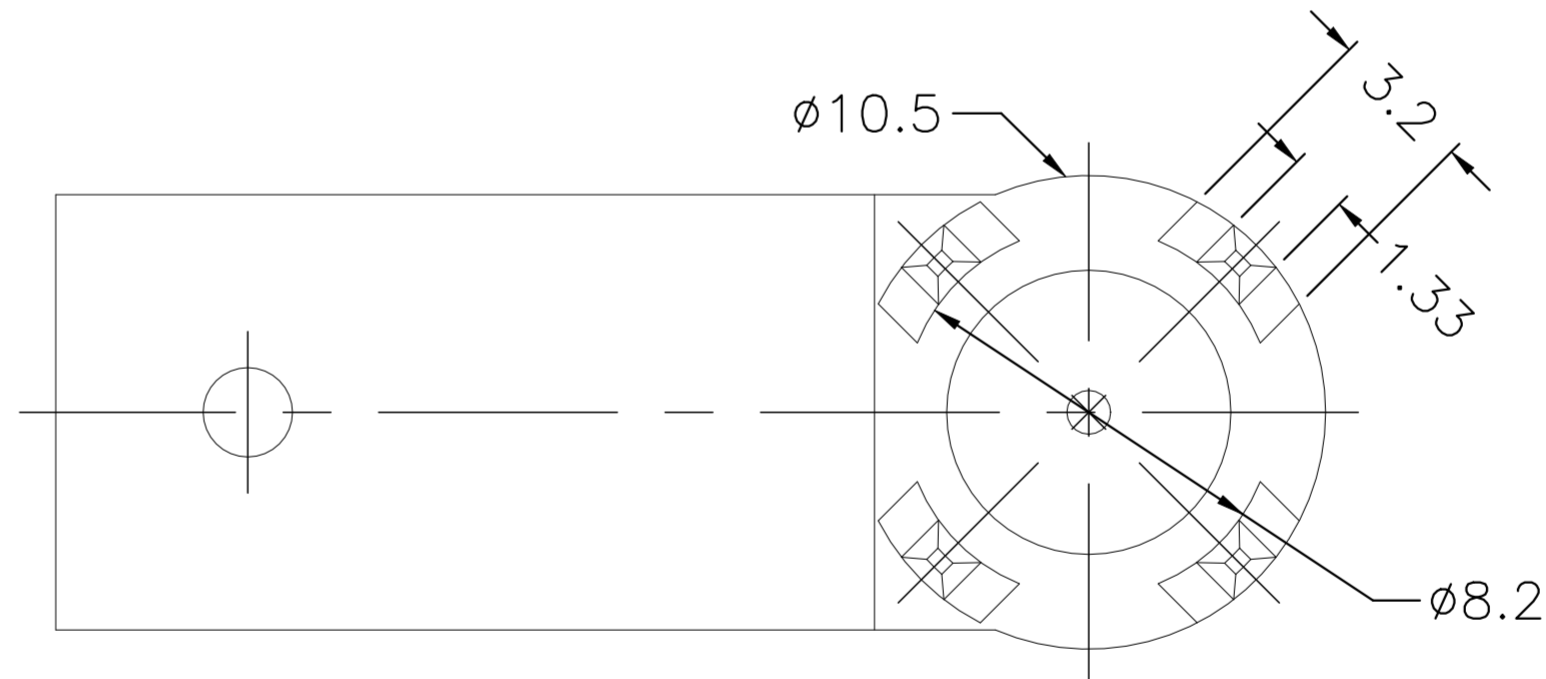


REVISIONS					
P	LTR	DESCRIPTION	DATE	DWN	APVD
	A1	REVISED PER ECR-24-198159	23JAN2024	ED	WH



PCB MOUNTING HOLE



NOTES:

- 1 PACK IN ACCORDANCE WITH TE SPEC 107-3275;
- 2 ALL DIMENSIONS ARE NOMINAL FOR REFERENCE ONLY UNLESS OTHERWISE STATED;
- 3 ELECTRICAL CHARACTERISTICS :
 FREQUENCY RANGE : DC-3GHz
 NOMINAL IMPEDANCE : 75 OHMS
 INSULATION RESISTANCE : 5000 MOHMS
 WORKING VOLTAGE : 335 VRMS MAX
 DIELECTRIC WITHSTANDING VOLTAGE : 750 VOLTS MAX
 VSWR : 1.2 MAX (DC-3GHz)
 CONTACT RESISTANCE :
 CENTER CONTACT : 3 mOHMS MAX
 OUTER CONTACT : 2 mOHMS MAX;
- 4 MECHANICAL CHARACTERISTICS :
 DURABILITY : 500 CYCLES
- 5 TEMPERATURE RANGE: -65°-+165°;
- 6 RoHS: COMPLIANT.

QTY	DESCRIPTION	MATERIAL	DESCRIPTION	ITEM
1	NATURAL	PTFE	INSULATOR	5
1	GOLD 50u"/NICKEL/COPPER	BRASS	CONTACT PIN	4
1	GOLD 50u"/NICKEL/COPPER	BERYLLIUM COPPER	CONTACT PIN	3
1	NATURAL	PTFE	INSULATOR	2
1	NICKEL 100u"/COPPER	ZINC DIECAST	BODY	1
2466268-1		PLATING	MATERIAL	DESCRIPTION
QUANTITY PER ASSY		PARTS LIST		

THIS DRAWING IS A CONTROLLED DOCUMENT.

DWN	ED	03JUL2023	 TE Connectivity	NAME BNC JACK,PCB MOUNTING HOLE, RIGHT ANGLE,75OHM,3GHZ
CHK	ED	03JUL2023		
APVD	WH	03JUL2023		
DIMENSIONS: mm 			PRODUCT SPEC	SIZE
TOLERANCES UNLESS OTHERWISE SPECIFIED: 0 PLC ± 0.3 1 PLC ± 0.2 2 PLC ± 0.1 3 PLC ± - 4 PLC ± - ANGLES ± 5° FINISH -			APPLICATION SPEC	CAGE CODE
MATERIAL			WEIGHT	DRAWING NO
SEE TABLE			-	A2 00779
			CUSTOMER DRAWING	RESTRICTED TO
			SCALE	8:1
			SHEET	1 OF 1
			REV	A1

2466268