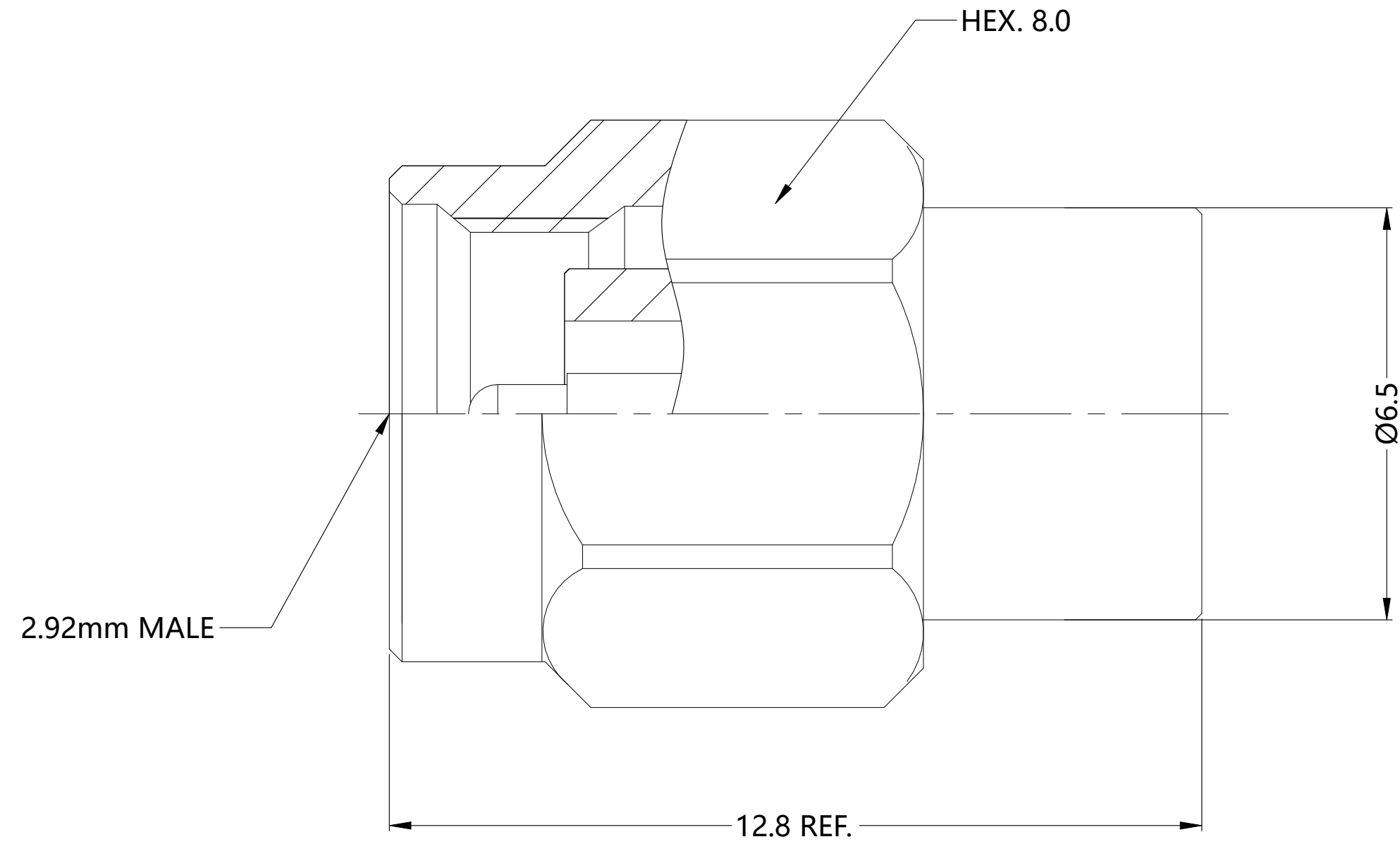


REVISIONS					
P	LTR	DESCRIPTION	DATE	DWN	APVD
	A	GTP(ECN-23-233090)	28SEP2023	ED	WH



NOTES:

- 1 PACK IN ACCORDANCE WITH TE SPEC 107-3275;
- 2 ALL DIMENSIONS ARE NOMINAL FOR REFERENCE ONLY UNLESS OTHERWISE STATED;
- 3 ELECTRICAL CHARACTERISTICS :
 FREQUENCY RANGE : DC-40GHZ
 NOMINAL IMPEDANCE : 50 OHMS
 POWER RATING:2W
 VSWR : 1.25(DC-40GHZ)
- 4 MECHANICAL CHARACTERISTICS :
 DURABILITY : 500 CYCLES
 TORQUE SETTING : 7-10 IN-LBS;
- 5 TEMPERATURE RANGE: -40°-+125°;
- 6 RoHS: COMPLIANT.

QUANTITY PER ASSY	DESCRIPTION	MATERIAL	PLATING	ITEM
1	GOLD 50u"/ NICKEL/COPPER	BERYLLIUM COPPER	CENTER CONTACT	3
1	/	PEI	INSULATOR	2
1	PASSIVATION	STAINLESS STEEL	BODY	1
2467916-1				

THIS DRAWING IS A CONTROLLED DOCUMENT.		DWN ED 11JUL2023		
DIMENSIONS: mm		CHK ED 11JUL2023		
		TOLERANCES UNLESS OTHERWISE SPECIFIED: 0 PLC ± 0.3 1 PLC ± 0.2 2 PLC ± 0.1 3 PLC ± - 4 PLC ± - ANGLES ± 5°		APVD WH 11JUL2023 NAME 2.92MM MALE TERMINATION, STRAIGHT,40GHZ
MATERIAL SEE TABLE		PRODUCT SPEC - APPLICATION SPEC - WEIGHT 0	SIZE A2 CAGE CODE 00779 DRAWING NO C=2467916	RESTRICTED TO - SCALE 8:1 SHEET 1 OF 1 REV A