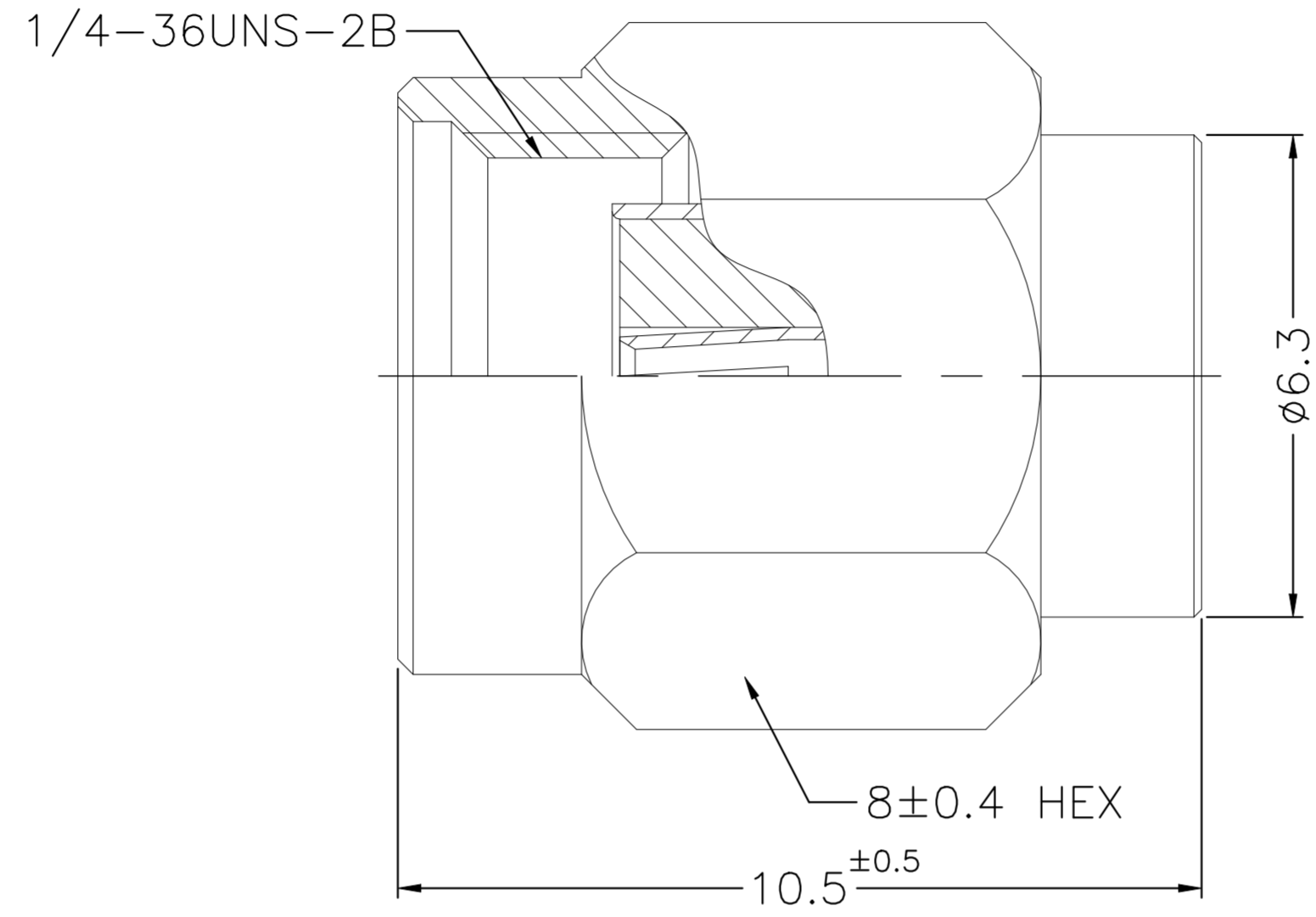


REVISIONS				
P	LTR	DESCRIPTION	DATE	APVD
	A	GTP(ECN-23-233124)	28SEP2023	ED WH



NOTES:

- 1 PACK IN ACCORDANCE WITH TE SPEC 107-3275;
- 2 ALL DIMENSIONS ARE NOMINAL FOR REFERENCE ONLY UNLESS OTHERWISE STATED;
- 3 ELECTRICAL CHARACTERISTICS :
 FREQUENCY RANGE : DC-18GHz
 NOMINAL IMPEDANCE : 50 OHMS
 POWER RATING: 2W
 VSWR : 1.3 MAX(DC-18GHz)
- 4 MECHANICAL CHARACTERISTICS :
 DURABILITY : 500 CYCLES
 TORQUE SETTING : 7-10 IN-LBS;
- 5 TEMPERATURE RANGE: -40°-+125°;
- 6 RoHS: COMPLIANT.

QUANTITY PER ASSY	DESCRIPTION	MATERIAL	DESCRIPTION	ITEM
1	GOLD 1u"/ NICKEL/COPPER	BRASS	SHELL	8
1	PASSIVATION	STAINLESS STEEL	RETAINER RING	7
1	RED	SILICONE RUBBER	GASKET	6
1	GOLD 1u"/ NICKEL/COPPER	BRASS	COVER	5
1	NATURAL	50 OHM	RESISTOR	4
1	GOLD 10u"/ NICKEL/COPPER	BERYLLIUM COPPER	CENTER CONTACT	3
1	NATURAL	PTFE	INSULATOR	2
1	GOLD 1u"/ NICKEL/COPPER	BRASS	BODY	1
2467942-1	PLATING	MATERIAL	DESCRIPTION	ITEM

THIS DRAWING IS A CONTROLLED DOCUMENT.		DWN ED 28SEP2023		
DIMENSIONS: mm		CHK ED 28SEP2023		
		APVD WH 28SEP2023	NAME SMA MALE REVERSE POLARITY TERMINATION, STRAIGHT,18GHZ	
TOLERANCES UNLESS OTHERWISE SPECIFIED: 0 PLC ± 0.3 1 PLC ± 0.2 2 PLC ± 0.1 3 PLC ± - 4 PLC ± - ANGLES ± 5'		PRODUCT SPEC -	RESTRICTED TO -	
MATERIAL SEE TABLE		APPLICATION SPEC -	SIZE A2	CAGE CODE 00779
		WEIGHT -	DRAWING NO C=2467942	
		CUSTOMER DRAWING		SCALE 8:1
		SHEET 1 OF 1		REV A

2467942