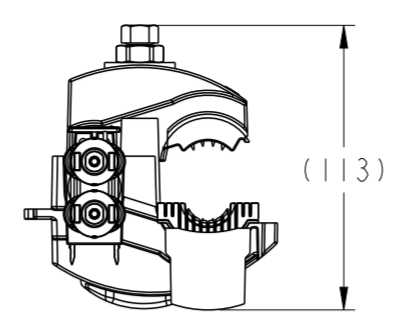
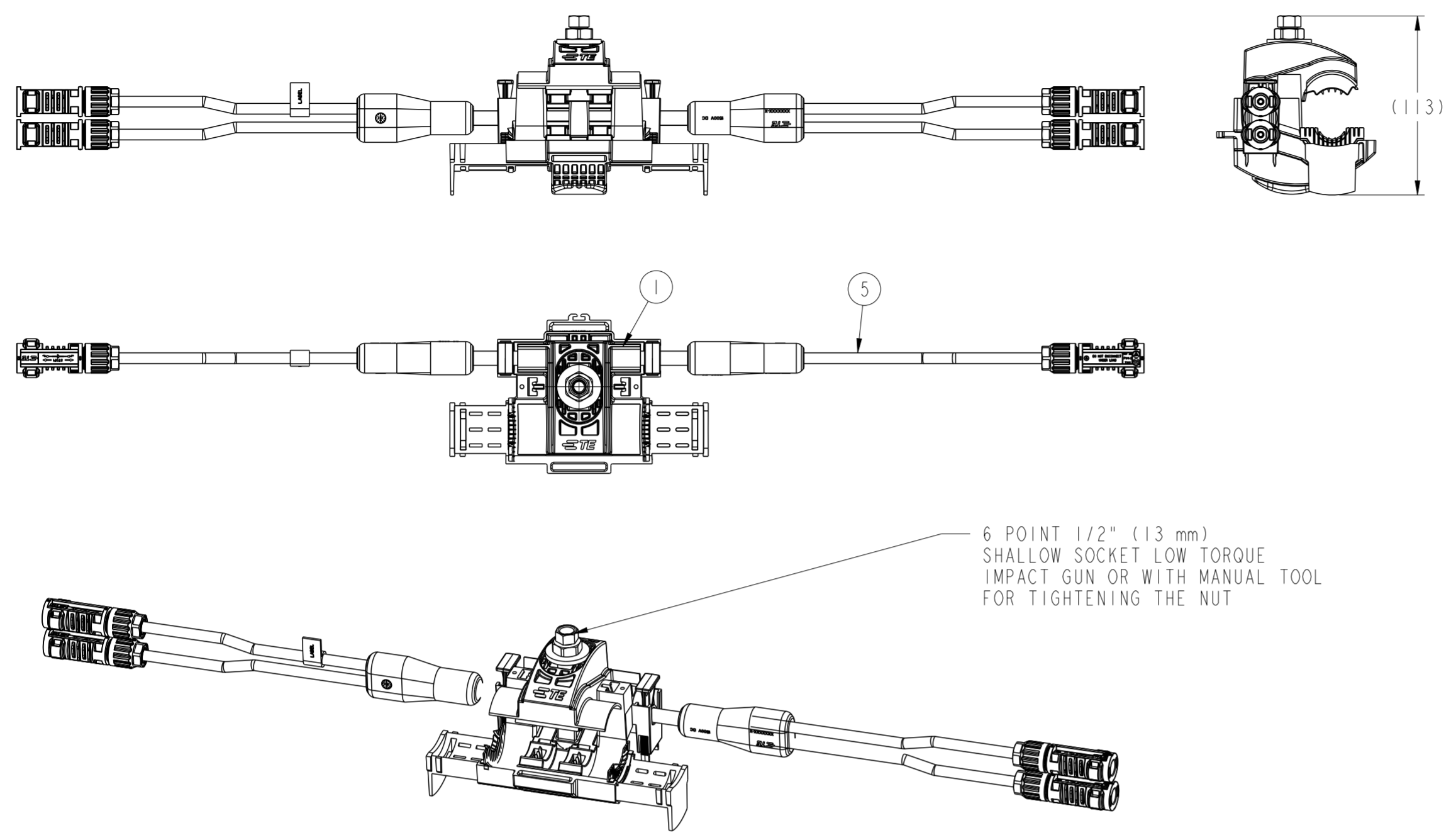


© 2023 TE Connectivity. All Rights Reserved.

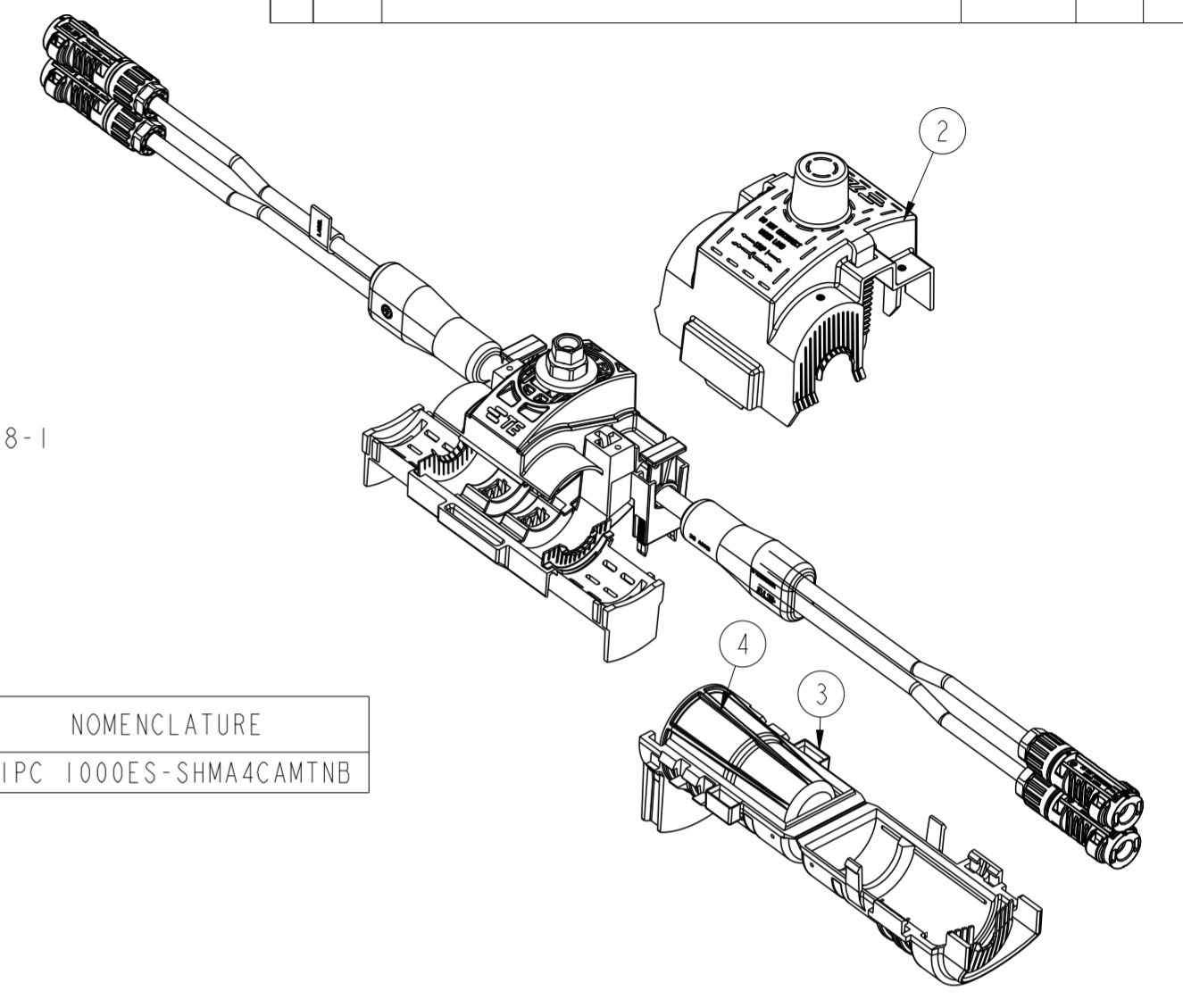


REVISIONS				
P	LTR	DESCRIPTION	DATE	APVD

AS SHOWN 1-2468408-1

END STRING

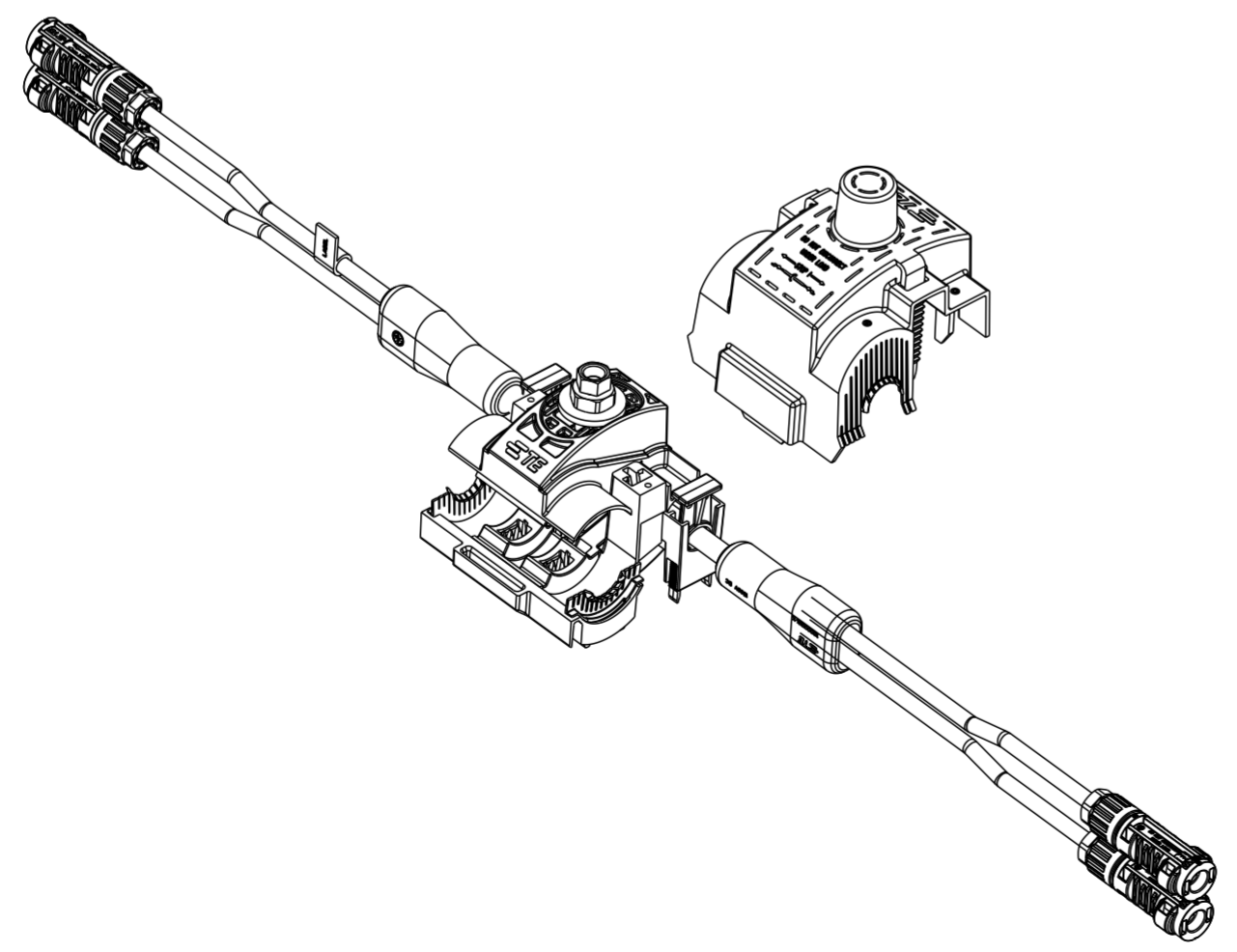
PART NO	NOMENCLATURE
1-2468408-1	SIPC 1000ES-SHMA4CAMTNB



MIDSPAN

PART NO	NOMENCLATURE
2468408-1	SIPC 1000-SHMA4CAMTNB

AS SHOWN 2468408-1

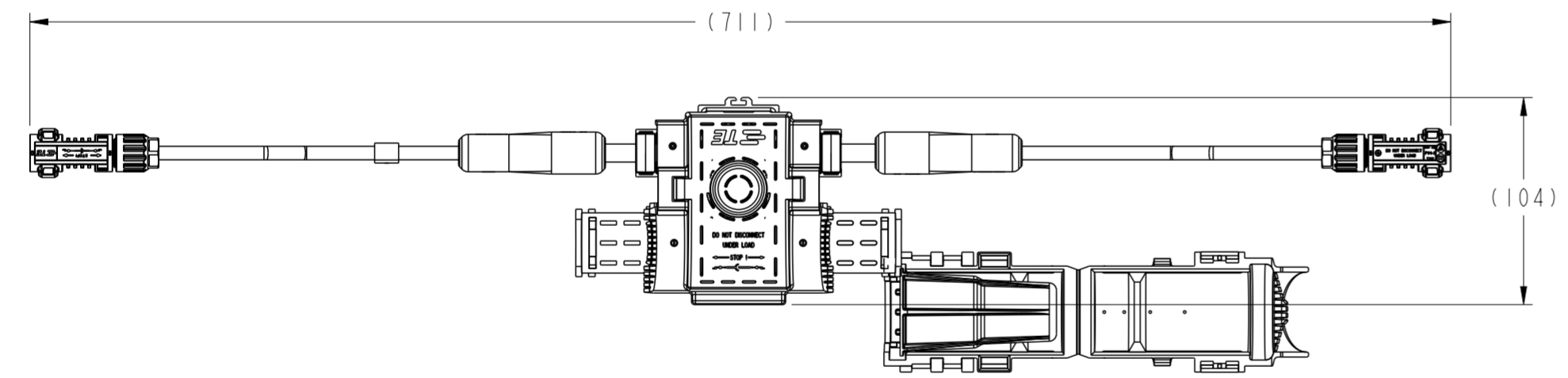
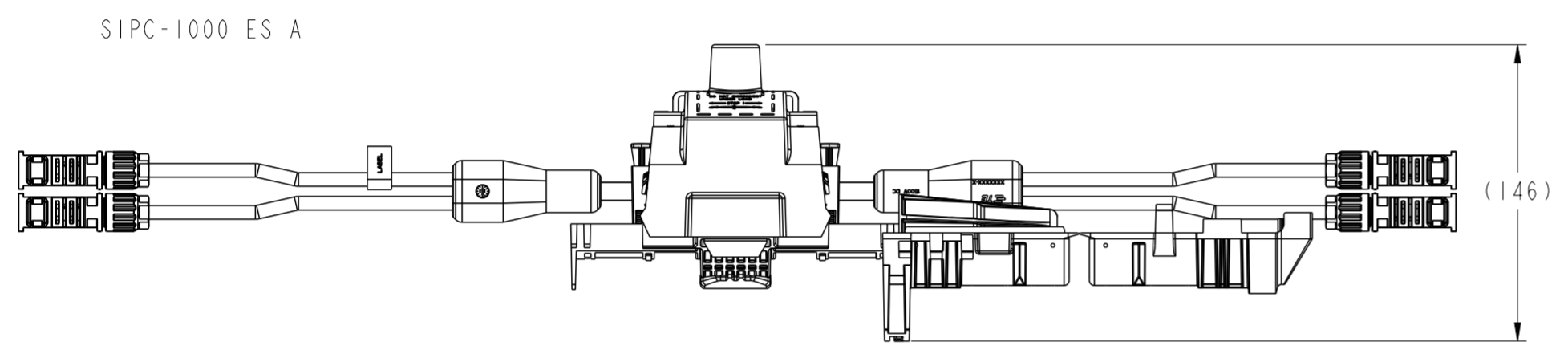
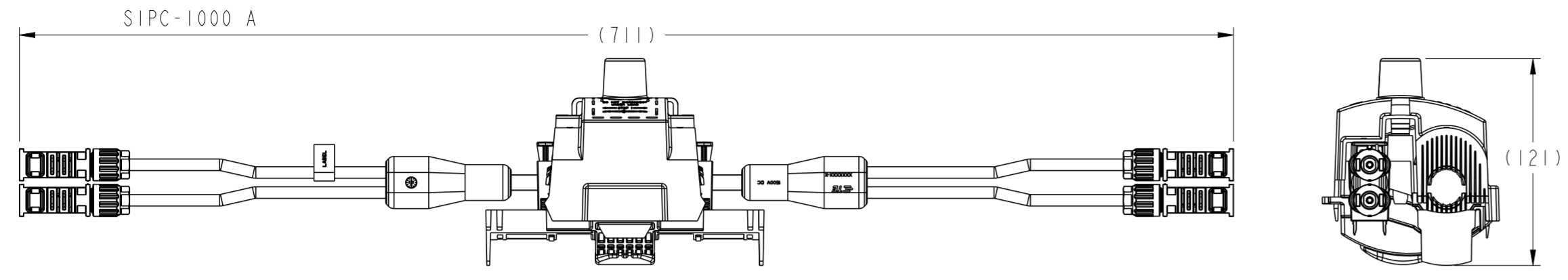


1/16	-	INSTRUCTIONS SHEET SIPC 1000 ES - EPP-4204-3/23	6
-	1/16	INSTRUCTIONS SHEET SIPC 1000 - EPP-4206-3/23	
1	1	MULTI-TAP HARNESS ASSY, 4X10AWG-6AWG	5
1	-	SOFT TRUNK END CAP 1000	4
1	-	RIGID TRUNK END CAP 1000	3
1	-	PROTECTIVE COVER SIPC 1000 ES	2
-	1	PROTECTIVE COVER SIPC1000	
1	-	SIPC 1000 ES	1
-	1	SIPC 1000	
1-1	-1	DESCRIPTION	ITEM NO

THIS DRAWING IS A CONTROLLED DOCUMENT.

DIMENSIONS: mm	TOLERANCES UNLESS OTHERWISE SPECIFIED: 0 PLC ± 1 PLC ± 2 PLC ± 3 PLC ± 4 PLC ± ANGLES ± FINISH	DWN VINAYAK G P 10 JUL 2023 CHK D AUSTIN 12 JUL 2023 APVD A GUILCHARD 17 JUL 2023		
MATERIAL		PRODUCT SPEC	NAME SIPC 1000 WITH MULTI TAP HARNESS	
		APPLICATION SPEC	SIZE A2	CAGE CODE 00779
		WEIGHT	DRAWING NO C-2468408	RESTRICTED TO
		CUSTOMER DRAWING	SCALE NTS	SHEET 1 OF 2 REV A

REVISIONS				
P	LTR	DESCRIPTION	DATE	APVD



1. UL LISTED PRODUCT
2. MAIN CABLE RANGE - 500 kcmil TO 1000 kcmil
3. VOLTAGE RATING 1500 V DC
4. PRODUCT LABEL MARKING:  
LABEL TEXT INK STAMPED ON LABEL TO READ AS BELOW. SEE TABLE FOR VALUES.

[TE LOGO]  
 [TE PART NO]  
 [CUSTOMER DESCRIPTION]  
 [SERIAL NO]  
 [DATE CODE]

THIS DRAWING IS A CONTROLLED DOCUMENT.		DWN JEEFLAN K 10JUL2023		
DIMENSIONS: mm		CHK VINAYAK G P 12JUL2023		
TOLERANCES UNLESS OTHERWISE SPECIFIED:		APVD A GUILCHARD 17JUL2023	NAME SIPC 1000 WITH MULTI TAP HARNESS	
0 PLC ±-		PRODUCT SPEC	-	
1 PLC ±-		APPLICATION SPEC	-	
2 PLC ±-		WEIGHT	-	
3 PLC ±-		CUSTOMER DRAWING	-	
4 PLC ±-		SCALE	NTS	
ANGLES ±-		SIZE	A2	
FINISH		CAGE CODE	00779	
MATERIAL		DRAWING NO	C-2468408	
-		RESTRICTED TO	-	
-		SHEET	2 OF 2	
-		REV	A	