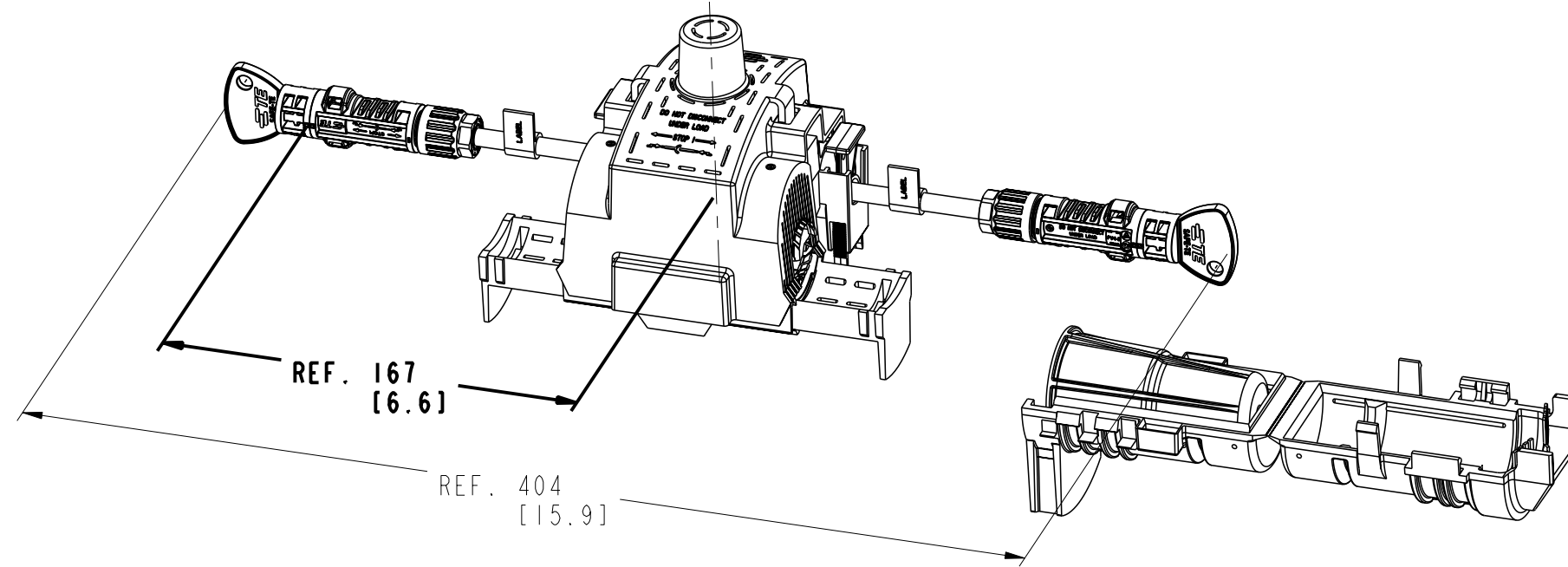


© 2023 TE Connectivity. All Rights Reserved.

REVISIONS				
P	LTR	DESCRIPTION	DATE	APVD
A		INITIAL RELEASE PER ECN-23-229184	25AUG2023	VP GP

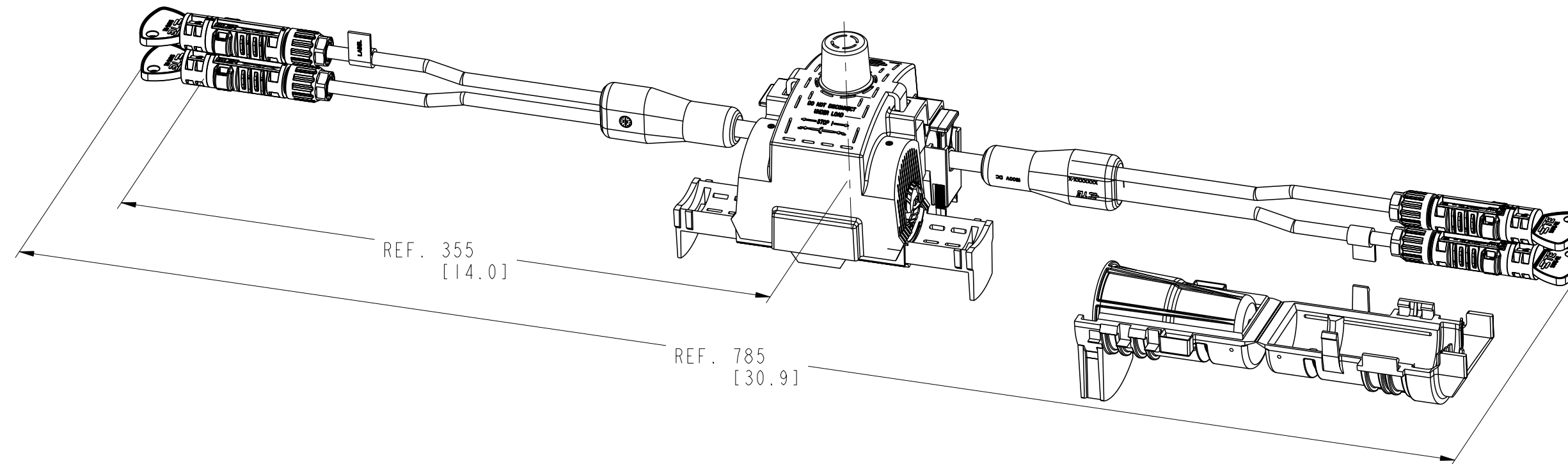
Dual Tap SIPC 1000 ES Assemblies	
10 AWG Wire	Applies to SIPC 1000 ES - SHDA2AA_...
8 AWG Wire	Applies to SIPC 1000 ES - SHDA2BB_...
6 AWG Wire	Applies to SIPC 1000 ES - SHDA2CC_...

See Sheet 2 for Wire Color and Connector Type options



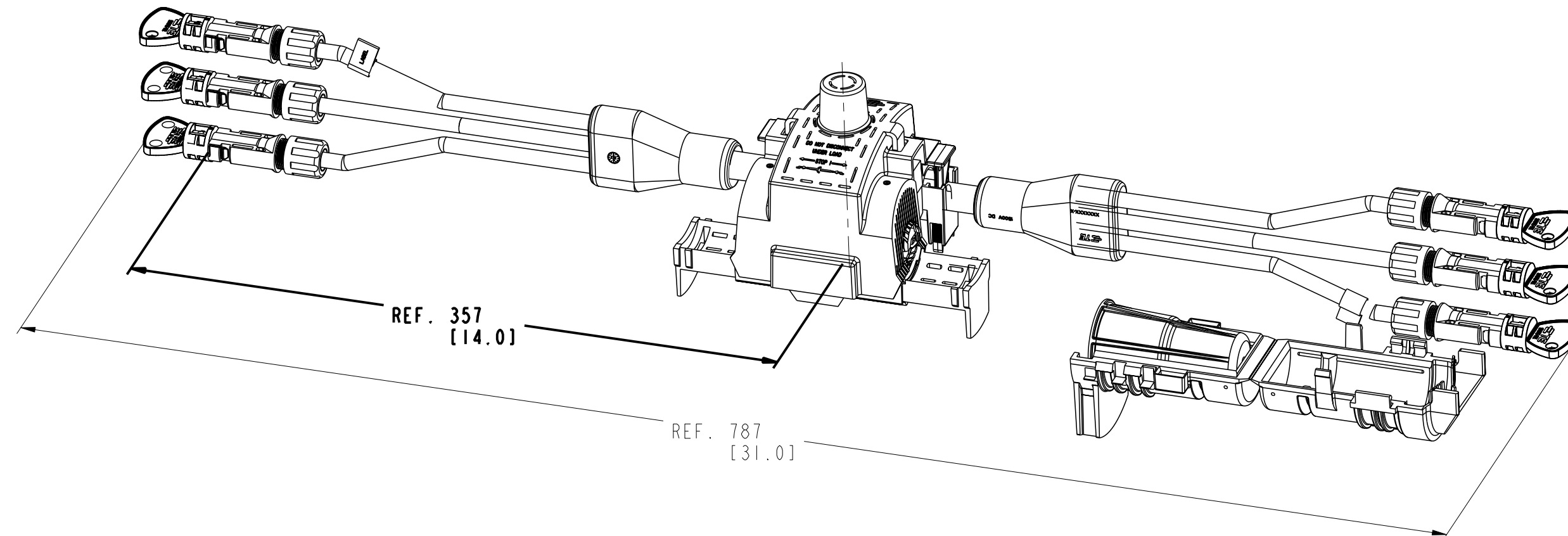
Four Tap SIPC 1000 ES Assemblies	
10 AWG Taps	Applies to SIPC 1000 ES - SHMA4CA_...
8 AWG Taps	Applies to SIPC 1000 ES - SHDA4EB_...
6 AWG Taps	Applies to SIPC 1000 ES - SHDA4EC_...

See Sheet 2 for Wire Color and Connector Type options



Six Tap SIPC 1000 ES Assemblies	
10 AWG Taps	Applies to SIPC 1000 ES - SHDA6DA_...
8 AWG Taps	Applies to SIPC 1000 ES - SHDA6FB_...

See Sheet 2 for Wire Color and Connector Type options



NOTES:

- 1. UL LISTED PRODUCT
- 2. MAIN CABLE RANGE - 500 kcmil TO 1000 kcmil-(UL4703)
- 3. VOLTAGE RATING 1500 V DC

4. PRODUCT LABEL MARKING:
 LABEL TEXT INK PRINTED ON LABEL TO READ AS BELOW.

[TE LOGO]
 [TE PART NO]
 [CUSTOMER DESCRIPTION]
 [SERIAL NO]
 [DATE CODE]

- 5. ALL PRODUCTS SHIP WITH SAFE-TE CAPS INSTALLED TO PREVENT CONTAMINATION OF THE CONNECTOR CONTACT INTERFACE.
- 6. REFERENCE EPP-4204-3/23 AND EPP-4206-3/23 FOR PRODUCT INSTALLATION INSTRUCTIONS
- 7. REFERENCE 107-160190 FOR PACKAGING INFORMATION

THIS DRAWING IS A CONTROLLED DOCUMENT.

DWN	V. PATIL	10 JUL 2023
CHK	D. AUSTIN	12 JUL 2023
APVD	G. PULLIUM	17 JUL 2023



DIMENSIONS: MM [INCH]	TOLERANCES UNLESS OTHERWISE SPECIFIED:
	0 PLC ±
	1 PLC ±
	2 PLC ±
	3 PLC ±
	4 PLC ±
	ANGLES ±
MATERIAL	FINISH
-	-
-	-

PRODUCT SPEC	-
APPLICATION SPEC	-
WEIGHT	-
CUSTOMER DRAWING	-

NAME		SIPC 1000 ES WITH DUAL TAP JUMPER AND MULTI TAP HARNESS	
SIZE	CAGE CODE	DRAWING NO	RESTRICTED TO
A2	00779	C-2468494	-
SCALE	NTS	SHEET	1 OF 2
REV	A		

Printed on 14 Sep 2023 14:40 (India Standard Time) from TE397707

SIPC 1000 ES Dual Tap Assembly Catalog Numbers

Wire Size	Wire Color	Connector Gender	Connector Make	Catalog No.	Part Number	Center Wire Size	Ampacity Rating (Amps)	Weight (g)
10 AWG	Black	Male	TE	SIPC 1000 ES - SHDA2AAMTPB	I-2466276-1	10 AWG	19.2	541.0
		Female	TE	SIPC 1000 ES - SHDA2AAFTNB	I-2466276-2	10 AWG	19.2	
	Red	Male	TE	SIPC 1000 ES - SHDA2AAMTPR	I-2466276-3	10 AWG	19.2	
	White	Female	TE	SIPC 1000 ES - SHDA2AAFTNW	I-2466276-4	10 AWG	19.2	
8 AWG	Black	Male	Staubli	SIPC 1000 ES - SHDA2BBMSPB	I-2461454-4	8 AWG	32	548.0
		Female	Staubli	SIPC 1000 ES - SHDA2BBFSNB	I-2461454-5	8 AWG	32	
	Red	Male	Staubli	SIPC 1000 ES - SHDA2BBMSPR	I-2461454-6	8 AWG	32	
	White	Female	Staubli	SIPC 1000 ES - SHDA2BBFSNW	I-2461454-7	8 AWG	32	
6 AWG	Black	Male	Staubli	SIPC 1000 ES - SHDA2CCMSPB	I-2468075-1	6 AWG	38.4	565.0
		Female	Staubli	SIPC 1000 ES - SHDA2CCFSNB	I-2468075-2	6 AWG	38.4	
	Red	Male	Staubli	SIPC 1000 ES - SHDA2CCMSPR	I-2468075-3	6 AWG	38.4	
	White	Female	Staubli	SIPC 1000 ES - SHDA2CCFSNW	I-2468075-4	6 AWG	38.4	

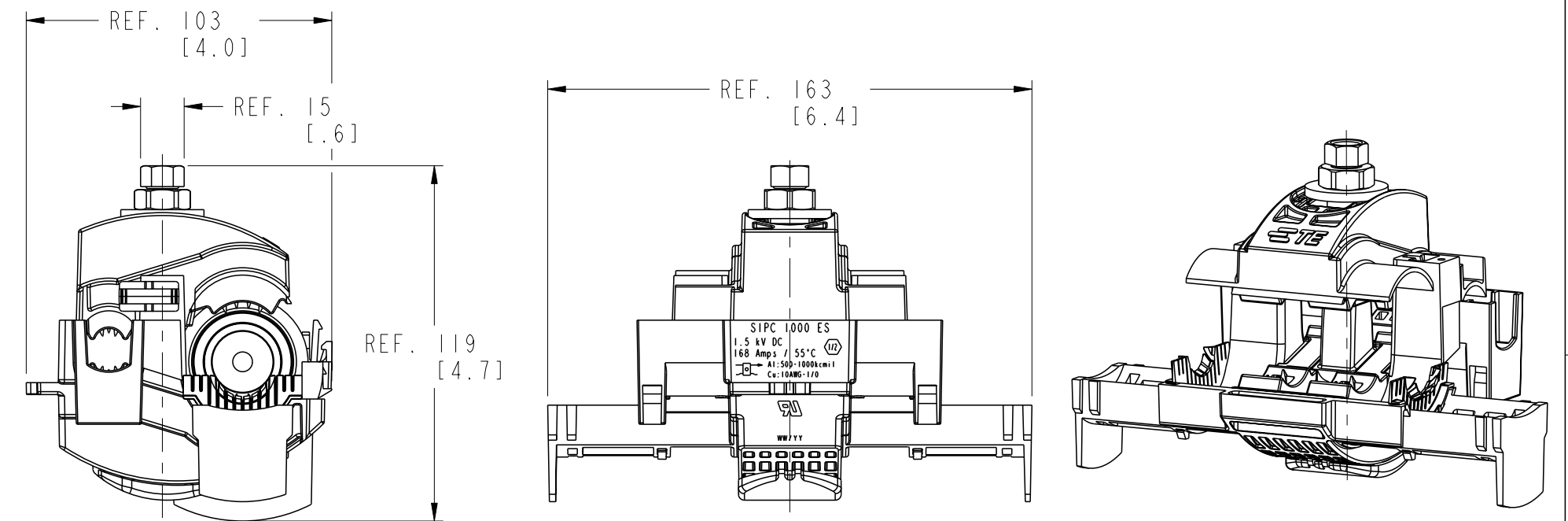
SIPC 1000 ES Four Tap Assembly Catalog Numbers

Tap Wire Size	Wire Color	Connector Gender	Connector Make	Catalog No.	Part Number	Center Wire Size	Ampacity Rating (Amps)	Weight (g)
10 AWG	Black	Male	TE	SIPC 1000 ES - SHMA4CAMTPB	I-2468408-1	6 AWG	19.2	701.0
		Female	TE	SIPC 1000 ES - SHMA4CAFTNB	I-2468495-1	6 AWG	19.2	
	Red	Male	TE	SIPC 1000 ES - SHMA4CAMTPR	I-2470351-1	6 AWG	19.2	
	White	Female	TE	SIPC 1000 ES - SHMA4CAFTNW	I-2470372-1	6 AWG	19.2	
8 AWG	Black	Male	Staubli	SIPC 1000 ES - SHMA4EBMSPB	I-2468486-1	2 AWG	32	795.8
		Female	Staubli	SIPC 1000 ES - SHMA4EBFSNB	I-2468493-1	2 AWG	32	
	Red	Male	Staubli	SIPC 1000 ES - SHMA4EBMSPR	I-2472928-1	2 AWG	32	
	White	Female	Staubli	SIPC 1000 ES - SHMA4EBFSNW	I-2472931-1	2 AWG	32	
6 AWG	Black	Male	Staubli	SIPC 1000 ES - SHMA4ECMSPB	I-2468485-1	2 AWG	38.4	836.9
		Female	Staubli	SIPC 1000 ES - SHMA4ECFSNB	I-2468489-1	2 AWG	38.4	
	Red	Male	Staubli	SIPC 1000 ES - SHMA4ECMSPR	I-2472933-1	2 AWG	38.4	
	White	Female	Staubli	SIPC 1000 ES - SHMA4ECFSNW	I-2472935-1	2 AWG	38.4	

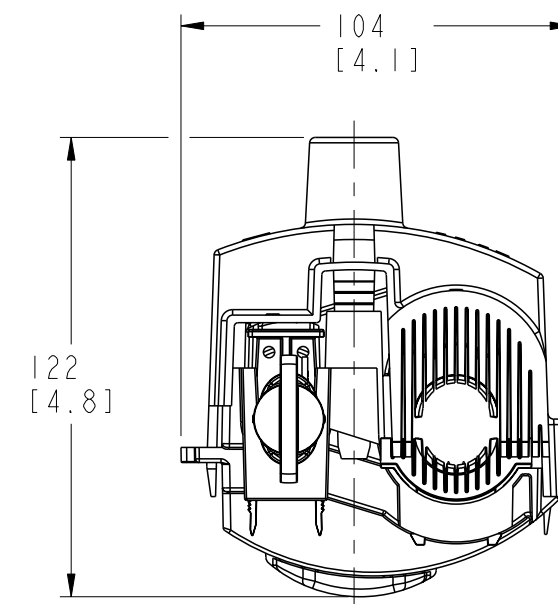
SIPC 1000 ES Six Tap Assembly Catalog Numbers

Tap Size	Wire Color	Connector Gender	Connector Make	Catalog No.	Part Number	Center Wire Size	Ampacity Rating (Amps)	Weight (g)
10 AWG	Black	Male	TE	SIPC 1000 ES - SHMA6DAMTPB	I-2468488-1	4 AWG	19.2	961.8
		Female	TE	SIPC 1000 ES - SHMA6DAFTNB	I-2468490-1	4 AWG	19.2	
	Red	Male	TE	SIPC 1000 ES - SHMA6DAMTPR	I-2472938-1	4 AWG	19.2	
	White	Female	TE	SIPC 1000 ES - SHMA6DAFTNW	I-2472939-1	4 AWG	19.2	
8 AWG	Black	Male	Staubli	SIPC 1000 ES - SHMA6FBMSPB	I-2468487-1	1/0 AWG	32	807.0
		Female	Staubli	SIPC 1000 ES - SHMA6FBFSNB	I-2468494-1	1/0 AWG	32	
	Red	Male	Staubli	SIPC 1000 ES - SHMA6FBMSPR	I-2472936-1	1/0 AWG	32	
	White	Female	Staubli	SIPC 1000 ES - SHMA6FBFSNW	I-2472937-1	1/0 AWG	32	

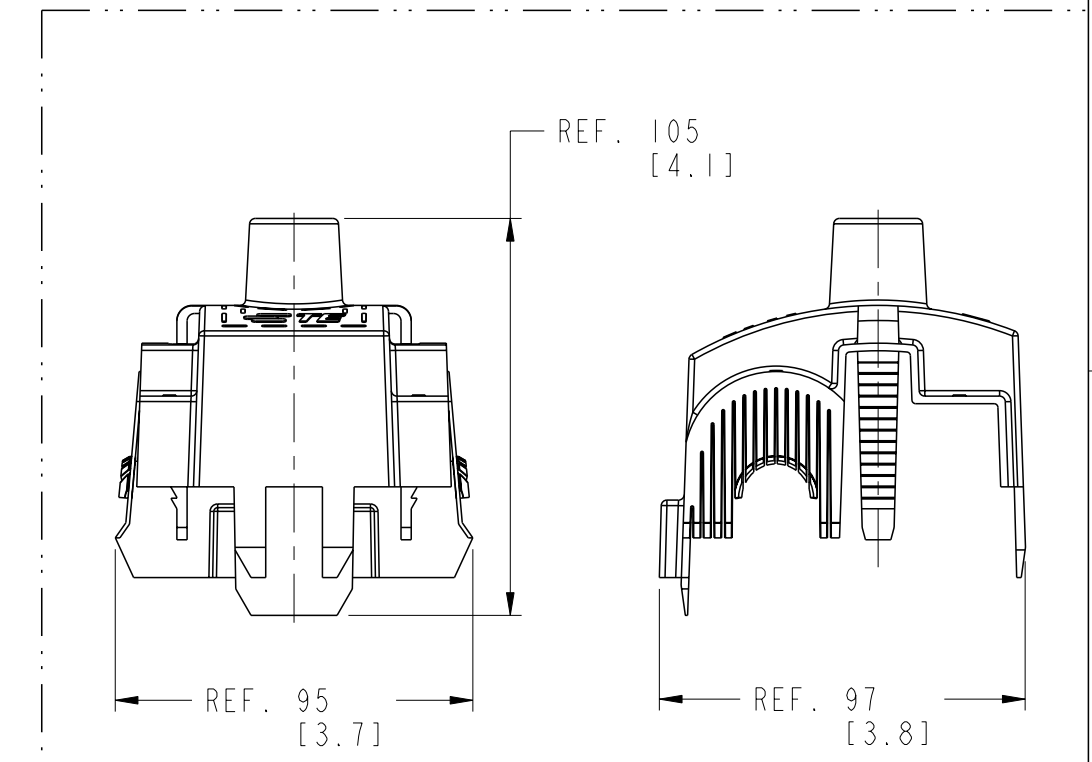
REVISIONS				
P	LTR	DESCRIPTION	DATE	DWN
-	-	SEE SHEET 1	-	-



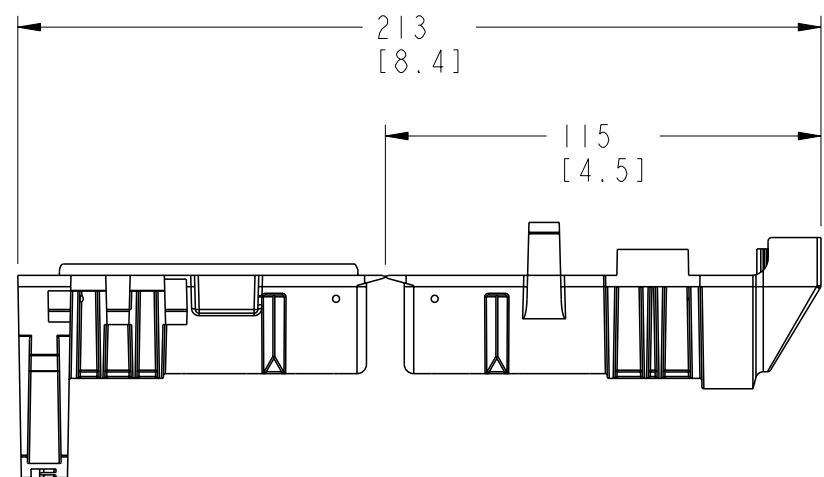
SIPC 1000 ES - BEFORE INSTALLATION



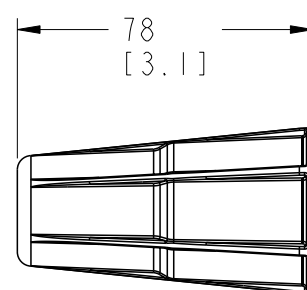
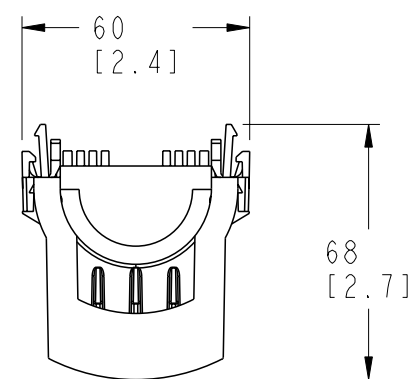
SIPC 1000 ES - AFTER INSTALLATION



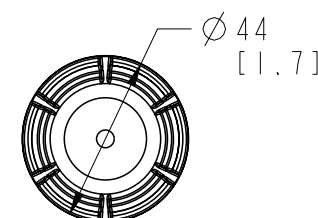
PROTECTIVE COVER SIPC 1000 ES



RIGID TRUNK END CAP 1000



SOFT TRUNK END CAP 1000



THIS DRAWING IS A CONTROLLED DOCUMENT.		DWN	10 JUL 2023		NAME			
DIMENSIONS: MM [INCH]		CHK	12 JUL 2023		SIPC 1000 ES WITH DUAL TAP JUMPER AND MULTI TAP HARNESS			
TOLERANCES UNLESS OTHERWISE SPECIFIED:		APVD	17 JUL 2023		SIZE	CAGE CODE	DRAWING NO	RESTRICTED TO
0 PLC ±		PRODUCT SPEC			A2	00779	C-2468494	-
1 PLC ±		APPLICATION SPEC		WEIGHT	SCALE		SHEET	
2 PLC ±		-		CUSTOMER DRAWING		NTS	2 OF 2	
3 PLC ±		-		-		REV	A	
4 PLC ±		-		-		-		
ANGLES ±		-		-		-		
FINISH		-		-		-		

printed on 14 Sep 2023 14:40 (India Standard Time) from TE397707