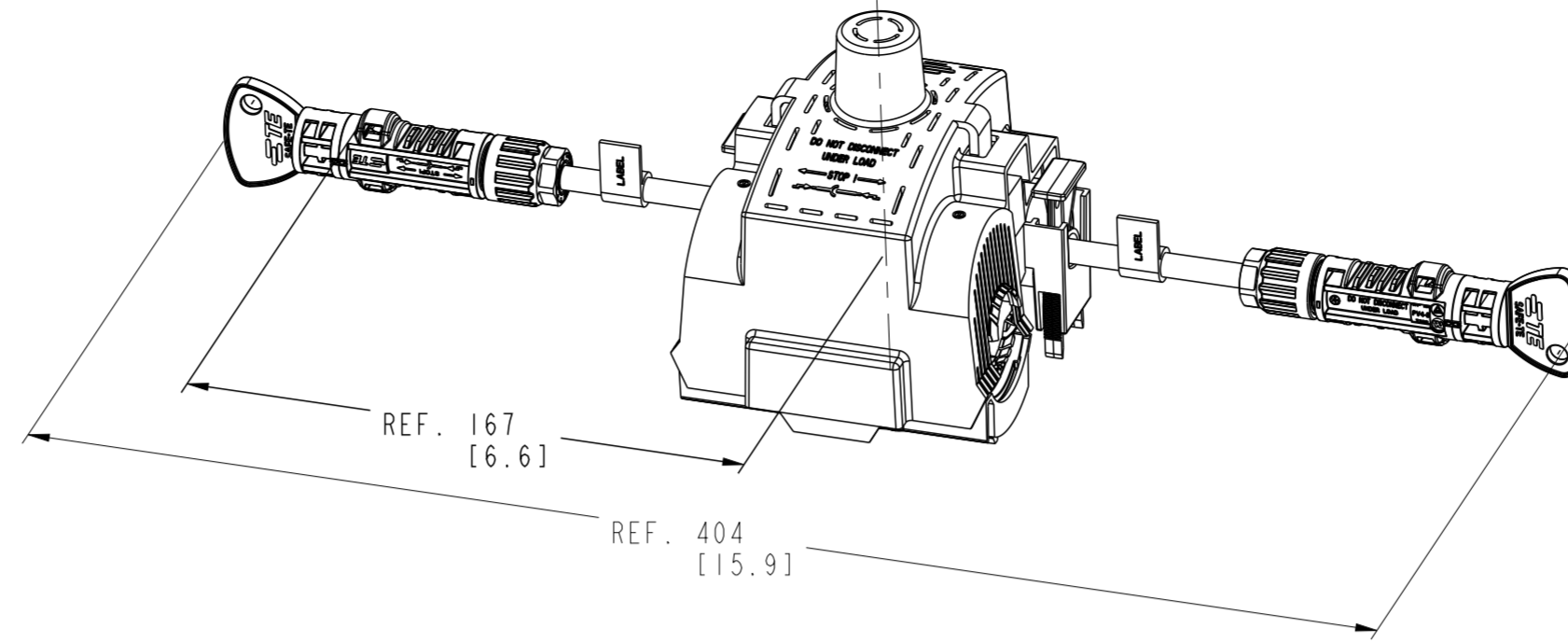


REVISIONS

P	LTR	DESCRIPTION	DATE	DWN	APVD
A		INITIAL RELEASE	27JUL2023	VP	GP
AI		REV. PER ECR-23-185844	22AUG2023	VP	GP

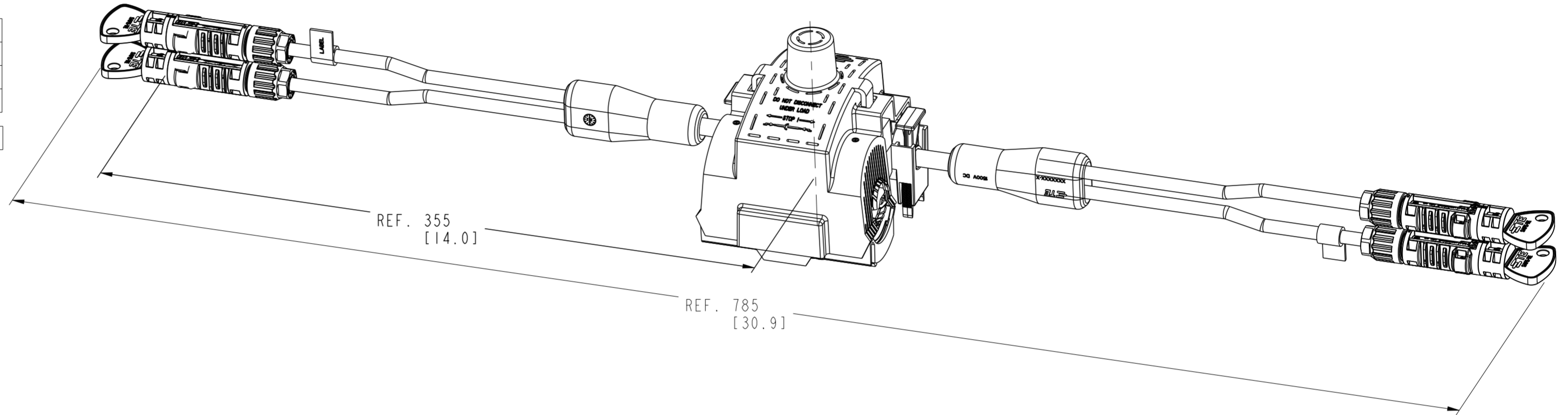
Dual Tap SIPC 1000 Assemblies	
10 AWG Wire	Applies to SIPC 1000 - SHDA2AA----
8 AWG Wire	Applies to SIPC 1000 - SHDA2BB----
6 AWG Wire	Applies to SIPC 1000 - SHDA2CC----

See Sheet 2 for Wire Color and Connector Type options



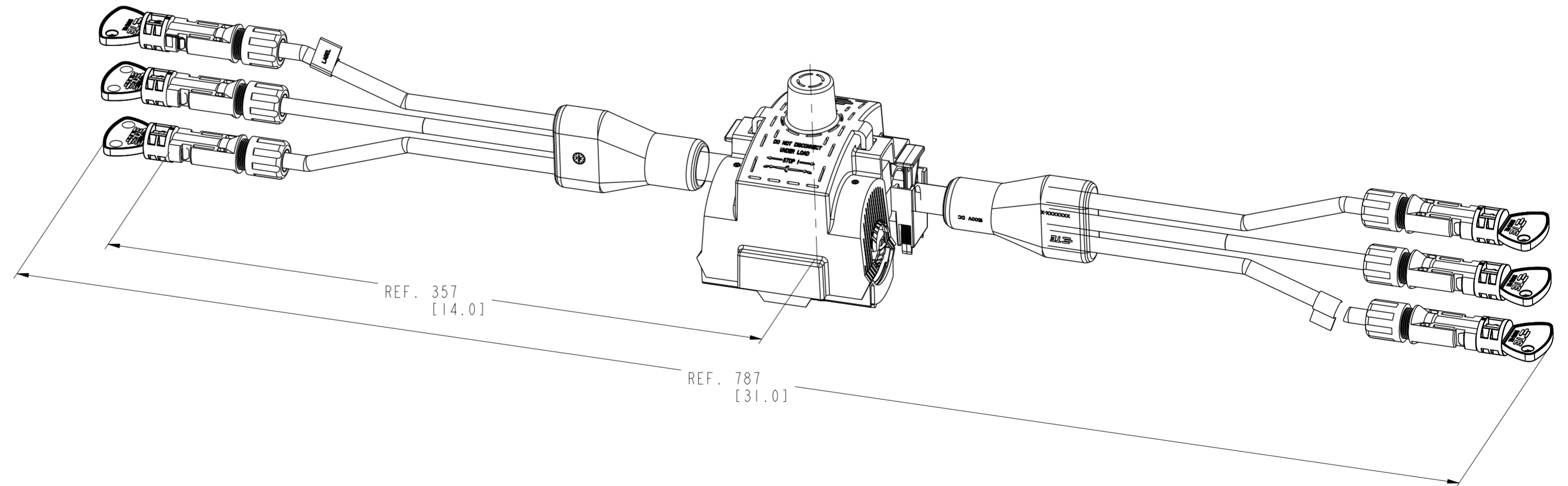
Four Tap SIPC 1000 Assemblies	
10 AWG Taps	Applies to SIPC 1000 - SHMA4CA----
8 AWG Taps	Applies to SIPC 1000 - SHDA4EB----
6 AWG Taps	Applies to SIPC 1000 - SHDA4EC----

See Sheet 2 for Wire Color and Connector Type options



Six Tap SIPC 1000 Assemblies	
10 AWG Taps	Applies to SIPC 1000 - SHDA6DA----
8 AWG Taps	Applies to SIPC 1000 - SHDA6FB----

See Sheet 2 for Wire Color and Connector Type options



NOTES:

1. UL LISTED PRODUCT
2. MAIN CABLE RANGE - 500 kcmil TO 1000 kcmil-(UL4703)
3. VOLTAGE RATING 1500 V DC

4. PRODUCT LABEL MARKING:
 LABEL TEXT INK PRINTED ON LABEL TO READ AS BELOW.

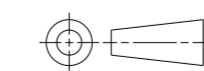
[TE LOGO]
 [TE PART NO]
 [CUSTOMER DESCRIPTION]
 [SERIAL NO]
 [DATE CODE]

5. ALL PRODUCTS SHIP WITH SAFE-TE CAPS INSTALLED TO PREVENT CONTAMINATION OF THE CONNECTOR CONTACT INTERFACE.
6. REFERENCE EPP-4204-3/23 AND EPP-4206-3/23 FOR PRODUCT INSTALLATION INSTRUCTIONS
7. REFERENCE 107-160190 FOR PACKAGING INFORMATION

THIS DRAWING IS A CONTROLLED DOCUMENT.

DIMENSIONS:
MM [INCH]

TOLERANCES UNLESS OTHERWISE SPECIFIED:



0 PLC	±
1 PLC	±
2 PLC	±
3 PLC	±
4 PLC	±
ANGLES	±
FINISH	-

MATERIAL

FINISH

DWN V. PATIL 10JUL2023

CHK D. AUSTIN 12JUL2023

APVD G. PULLIAM 17JUL2023

PRODUCT SPEC

APPLICATION SPEC

WEIGHT

CUSTOMER DRAWING

STE TE Connectivity

NAME SIPC 1000 WITH DUAL TAP JUMPER AND MULTI TAP HARNESS

SIZE A2 CAGE CODE 00779 DRAWING NO. C-2470351 RESTRICTED TO

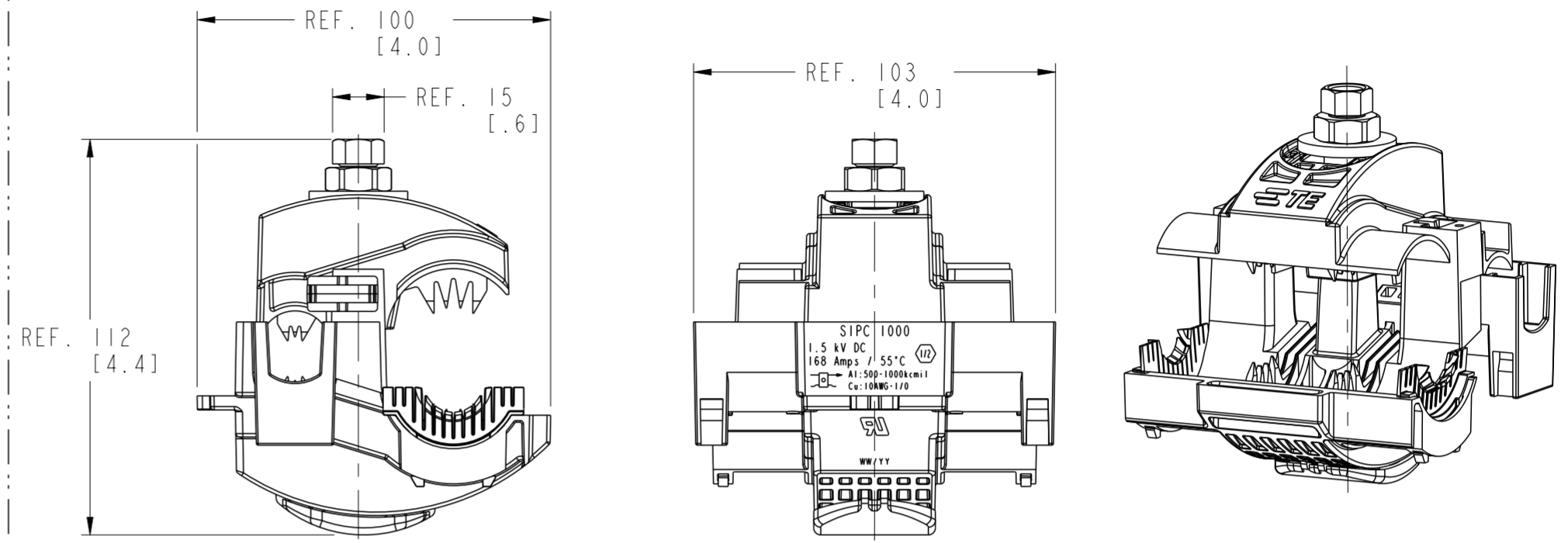
SCALE NTS SHEET 1 OF 2 REV AI

P	LTR	DESCRIPTION	DATE	DWN	APVD
-	-	SEE SHEET 1	-	-	-

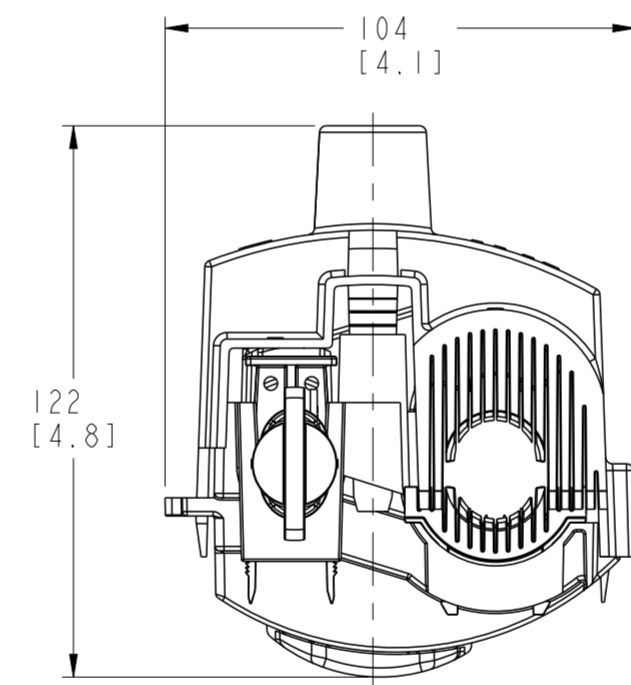
SIPC 1000 Dual Tap Assembly Catalog Numbers							
Wire Size	Wire Color	Connector Gender	Connector Make	Catalog No.	Part Number	Center Wire Size	Weight (lbs)
10 AWG	Black	Male	TE	SIPC 1000 - SHDA2AAMTPB	2466276-1	10 AWG	1.2
		Female		SIPC 1000 - SHDA2AAFTNB	2466276-2		
	Red	Male		SIPC 1000 - SHDA2AAMTPR	2466276-3		
		Female		SIPC 1000 - SHDA2AAFTNW	2466276-4		
8 AWG	Black	Male	Staubli	SIPC 1000 - SHDA2BBMSPB	2461454-4	8 AWG	1.2
		Female		SIPC 1000 - SHDA2BBFSNB	2461454-5		
	Red	Male		SIPC 1000 - SHDA2BBMSPR	2461454-6		
		Female		SIPC 1000 - SHDA2BBFSNW	2461454-7		
6 AWG	Black	Male	Staubli	SIPC 1000 - SHDA2CCMSPB	2468075-1	6 AWG	1.3
		Female		SIPC 1000 - SHDA2CCFSNB	2468075-2		
	Red	Male		SIPC 1000 - SHDA2CCMSPR	2468075-3		
		Female		SIPC 1000 - SHDA2CCFSNW	2468075-4		

SIPC 1000 Four Tap Assembly Catalog Numbers							
Tap Wire Size	Wire Color	Connector Gender	Connector Make	Catalog No.	Part Number	Center Wire Size	Weight (lbs)
10 AWG	Black	Male	TE	SIPC 1000 - SHMA4CAMTPB	2468408-1	6 AWG	1.6
		Female		SIPC 1000 - SHMA4CAFTNB	2468495-1		
	Red	Male		SIPC 1000 - SHMA4CAMTPR	2470351-1		
		Female		SIPC 1000 - SHMA4CAFTNW	2470372-1		
8 AWG	Black	Male	Staubli	SIPC 1000 - SHMA4EBMSPB	2468486-1	2 AWG	1.8
		Female		SIPC 1000 - SHMA4EBFSNB	2468493-1		
	Red	Male		SIPC 1000 - SHMA4EBMSPR	2472928-1		
		Female		SIPC 1000 - SHMA4EBFSNW	2472931-1		
6 AWG	Black	Male	Staubli	SIPC 1000 - SHMA4ECMSPB	2468485-1	2 AWG	1.9
		Female		SIPC 1000 - SHMA4ECFSNB	2468489-1		
	Red	Male		SIPC 1000 - SHMA4ECMSPR	2472933-1		
		Female		SIPC 1000 - SHMA4ECFSNW	2472935-1		

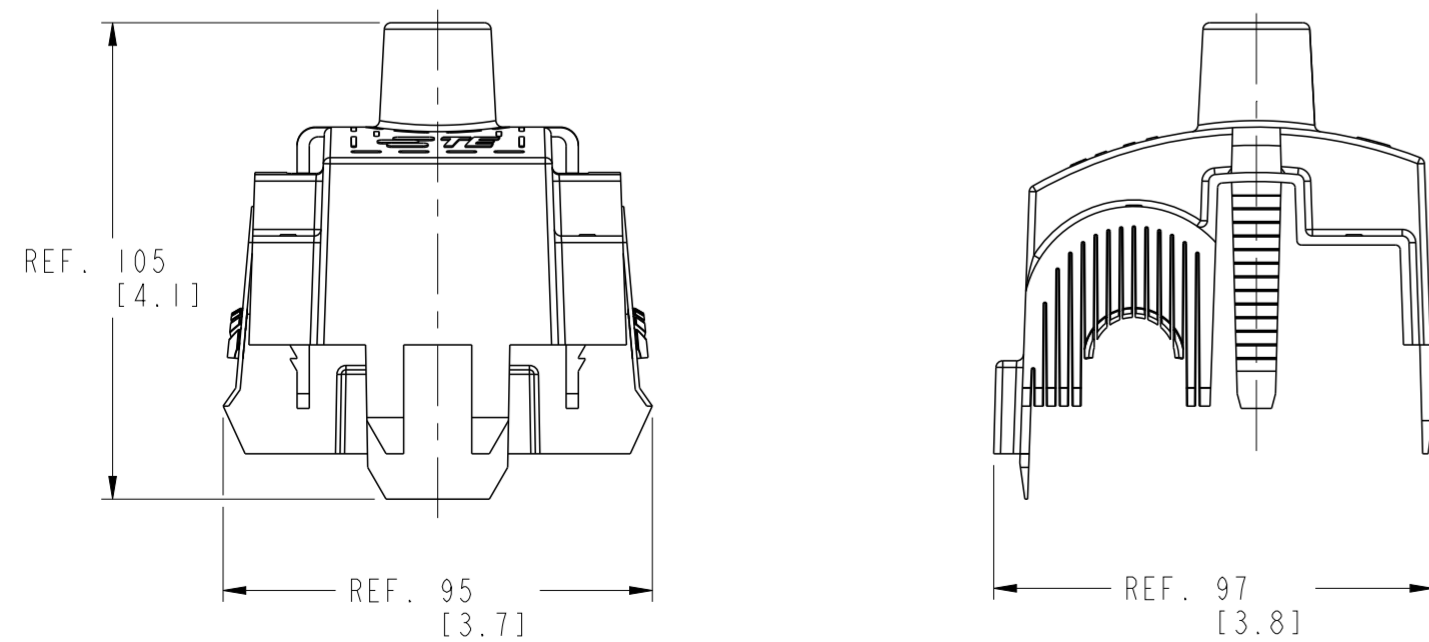
SIPC 1000 Six Tap Assembly Catalog Numbers							
Tap Size	Wire Color	Connector Gender	Connector Make	Catalog No.	Part Number	Center Wire Size	Weight (lbs)
10 AWG	Black	Male	TE	SIPC 1000 - SHMA6DAMTPB	2468488-1	4 AWG	1.7
		Female		SIPC 1000 - SHMA6DAFTNB	2468490-1		
	Red	Male		SIPC 1000 - SHMA6DAMTPR	2472938-1		
		Female		SIPC 1000 - SHMA6DAFTNW	2472939-1		
8 AWG	Black	Male	Staubli	SIPC 1000 - SHMA6FBMSPB	2468487-1	1/0 AWG	2.0
		Female		SIPC 1000 - SHMA6FBFSNB	2468494-1		
	Red	Male		SIPC 1000 - SHMA6FBMSPR	2472936-1		
		Female		SIPC 1000 - SHMA6FBFSNW	2472937-1		



SIPC 1000 - BEFORE INSTALLATION



SIPC 1000 - AFTER INSTALLATION



PROTECTIVE COVER SIPC 1000

THIS DRAWING IS A CONTROLLED DOCUMENT.		DWN V. PATIL 10 JUL 2023	TE Connectivity	
DIMENSIONS: MM [INCH]		CHK D. AUSTIN 12 JUL 2023		
TOLERANCES UNLESS OTHERWISE SPECIFIED:		APVD G. PULLIUM 17 JUL 2023	NAME SIPC 1000 WITH DUAL TAP JUMPER AND MULTI TAP HARNESS	
0 PLC ±	1 PLC ±	PRODUCT SPEC	SIZE A2	CAGE CODE 00779
2 PLC ±	3 PLC ±	APPLICATION SPEC	DRAWING NO. C-2470351	RESTRICTED TO
4 PLC ±	ANGLES ±	WEIGHT	SCALE NTS	SHEET 2 OF 2
MATERIAL	FINISH	CUSTOMER DRAWING	REV A1	