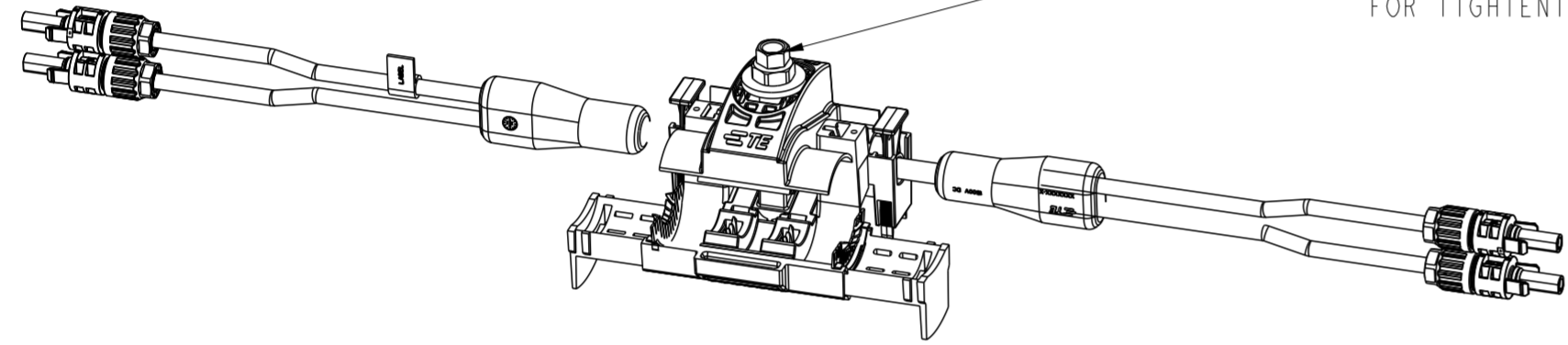
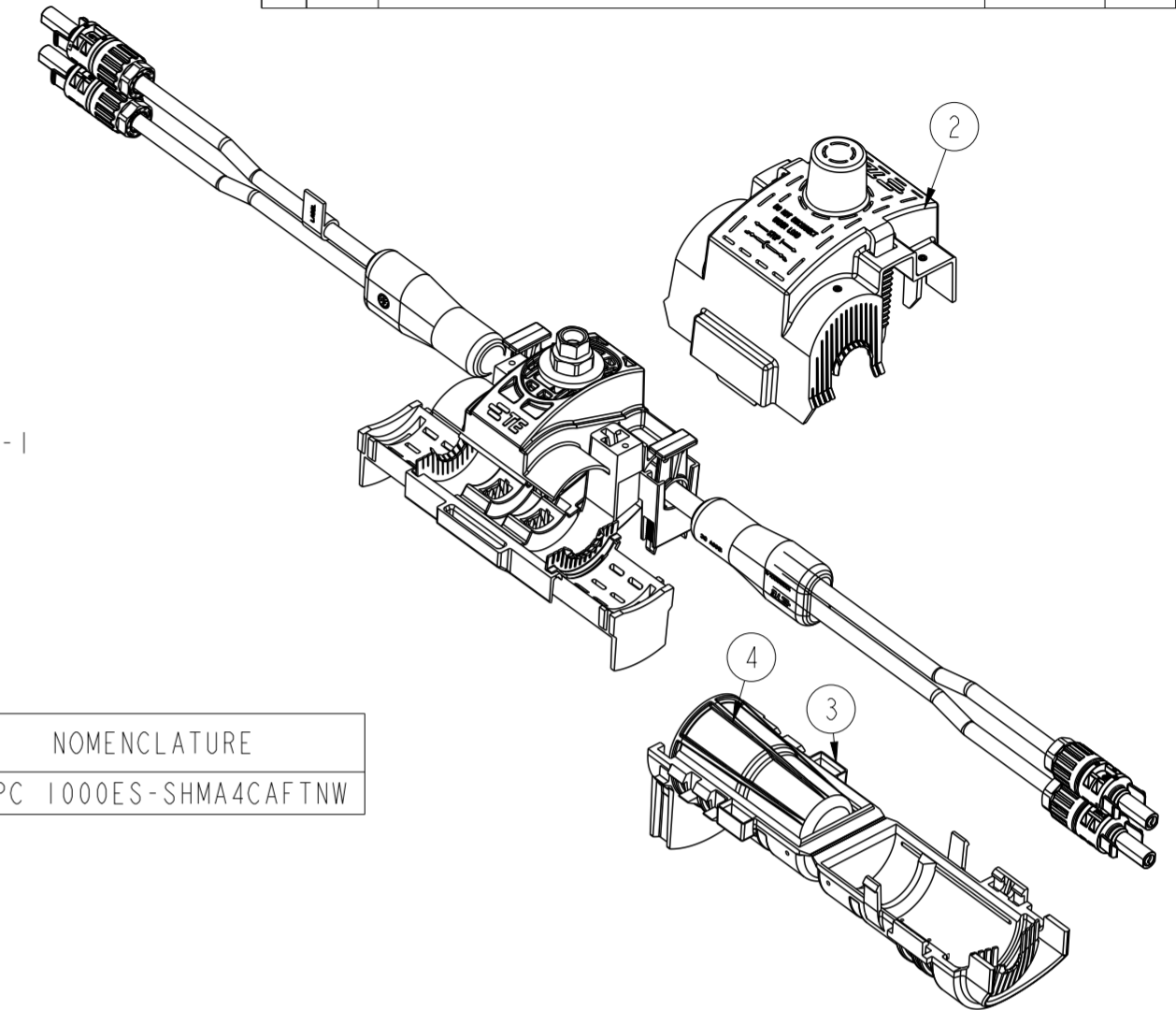


6 POINT 1/2" (13 mm)
SHALLOW SOCKET LOW TORQUE
IMPACT GUN OR WITH MANUAL TOOL
FOR TIGHTENING THE NUT



REVISIONS				
P	LTR	DESCRIPTION	DATE	APVD



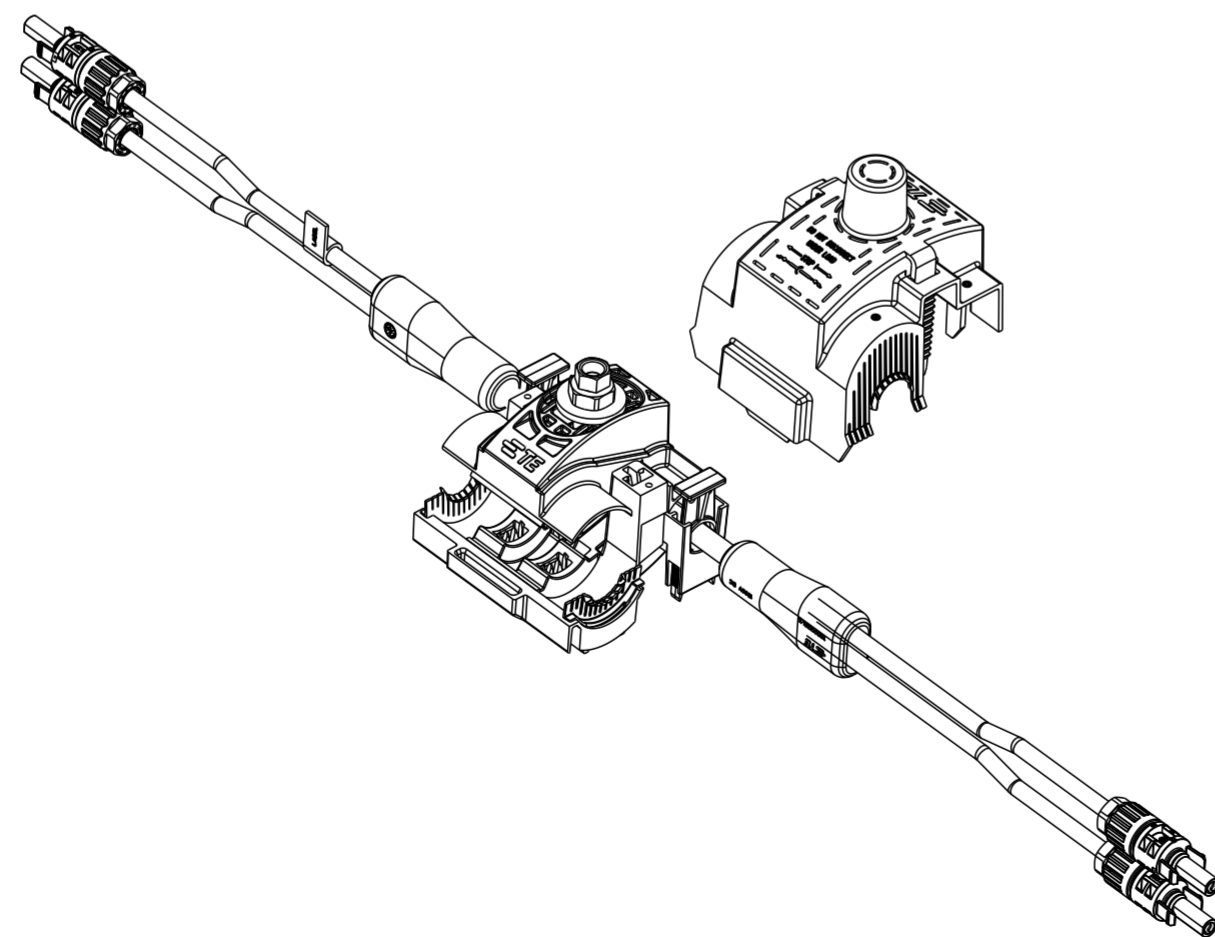
AS SHOWN 1-2470372-1

END STRING

PART NO	NOMENCLATURE
1-2470372-1	SIPC 1000ES-SHMA4CAFTNW

MIDSPAN

PART NO	NOMENCLATURE
2470372-1	SIPC 1000-SHMA4CAFTNW

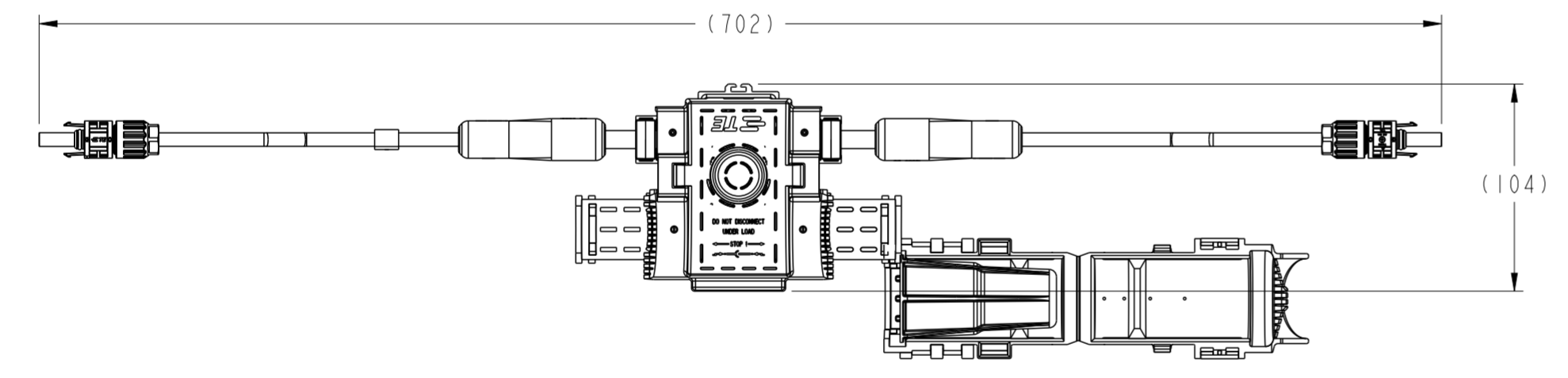
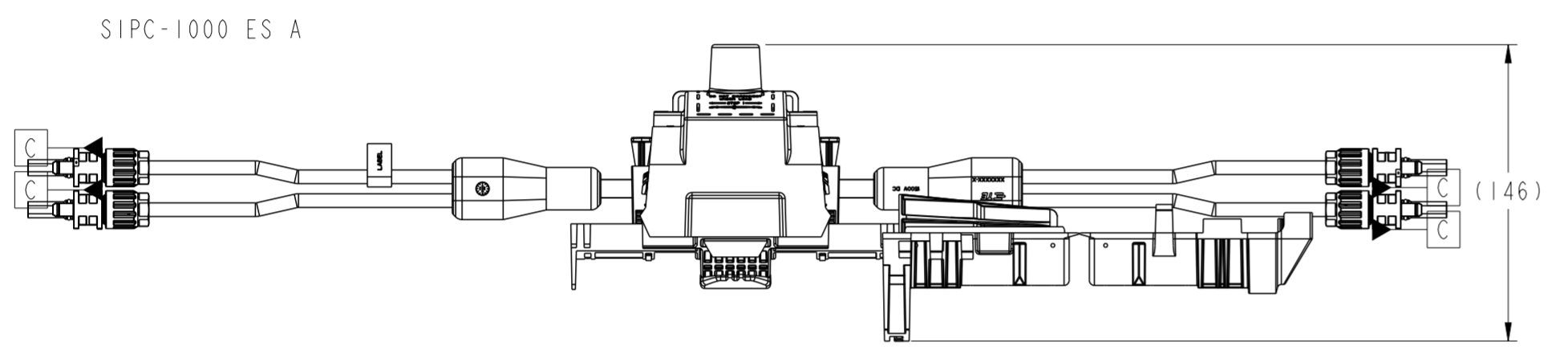
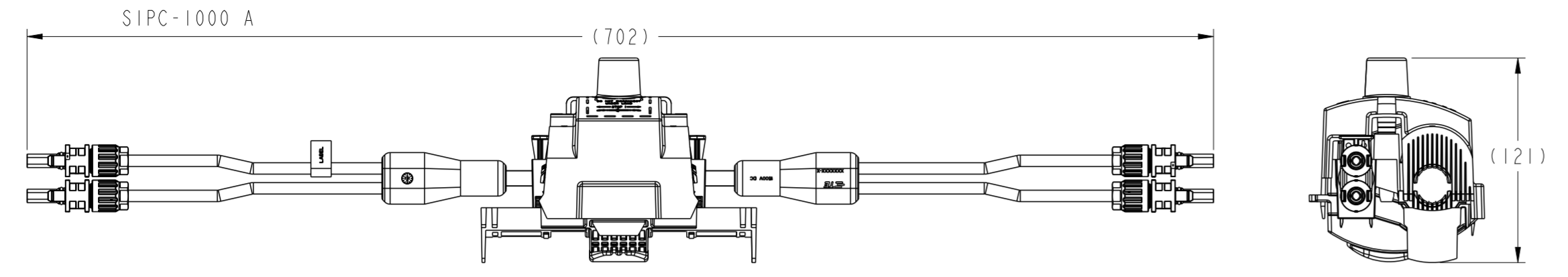


AS SHOWN 2470372-1

1/16	-	INSTRUCTIONS SHEET SIPC 1000 ES - EPP-4204-3/23	6
-	1/16	INSTRUCTIONS SHEET SIPC 1000 - EPP-4206-3/23	
1	1	MULTI-TAP HARNESS ASSY, 6x10AWG-4AWG-FEMALE	5
1	-	SOFT TRUNK END CAP 1000	4
1	-	RIGID TRUNK END CAP 1000	3
1	-	PROTECTIVE COVER SIPC 1000 ES	2
-	1	PROTECTIVE COVER SIPC1000	
1	-	SIPC 1000 ES	1
-	1	SIPC 1000	
1-1	-1	DESCRIPTION	ITEM NO

THIS DRAWING IS A CONTROLLED DOCUMENT.		DWN VINAYAK G P 10 JUL 2023	TE Connectivity	
DIMENSIONS: mm		CHK D AUSTIN 12 JUL 2023		
		APVD A GUILCHARD 17 JUL 2023	NAME SIPC 1000 WITH MULTI TAP HARNESS	
TOLERANCES UNLESS OTHERWISE SPECIFIED:		PRODUCT SPEC	SIZE A2	
0 PLC ±		APPLICATION SPEC	CAGE CODE 00779	DRAWING NO G-2470372
1 PLC ±		WEIGHT	RESTRICTED TO	
2 PLC ±		CUSTOMER DRAWING	SCALE NTS	SHEET 1 OF 2
3 PLC ±			REV A	
4 PLC ±				
ANGLES ±				
FINISH				

REVISIONS				
P	LTR	DESCRIPTION	DATE	APVD



1. UL LISTED PRODUCT
2. MAIN CABLE RANGE - 500 kcmil TO 1000 kcmil
3. VOLTAGE RATING 1500 V DC
4. PRODUCT LABEL MARKING:
LABEL TEXT INK STAMPED ON LABEL TO READ AS BELOW. SEE TABLE FOR VALUES.

[TE LOGO]
[TE PART NO]
[CUSTOMER DESCRIPTION]
[SERIAL NO]
[DATE CODE]

THIS DRAWING IS A CONTROLLED DOCUMENT.		DWN 10 JUL 2023 VINAYAK G P		
		CHK 12 JUL 2023 D AUSTIN		
		APVD 17 JUL 2023 A GUILCHARD	NAME SIPC 1000 WITH MULTI TAP HARNESS	
DIMENSIONS:		PRODUCT SPEC		
mm	TOLERANCES UNLESS OTHERWISE SPECIFIED:	APPLICATION SPEC		
	0 PLC ±-	SIZE A2		
	1 PLC ±-	CAGE CODE 00779		
	2 PLC ±-	DRAWING NO C-2470372		
	3 PLC ±-	RESTRICTED TO		
	4 PLC ±-	SCALE NTS		
	ANGLES ±-	SHEET 2 OF 2		
	FINISH -	REV A		
MATERIAL		CUSTOMER DRAWING		