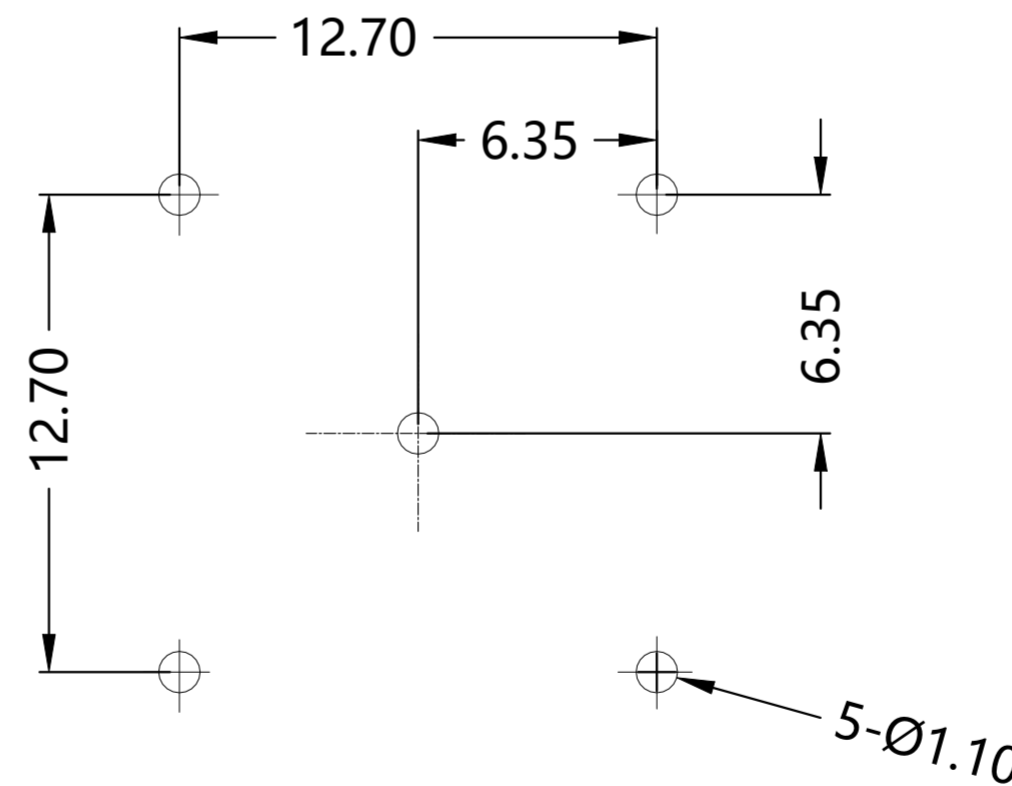
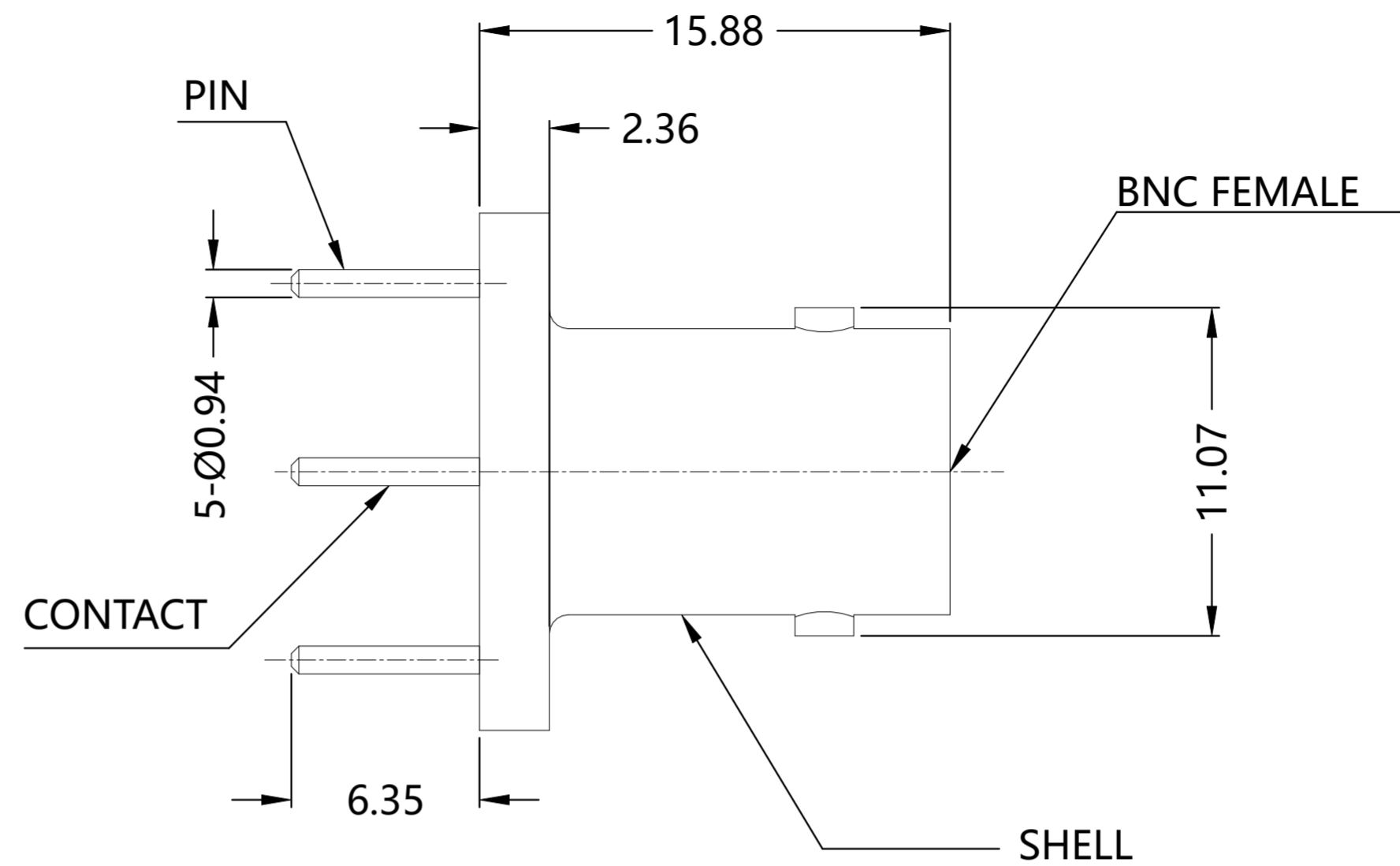
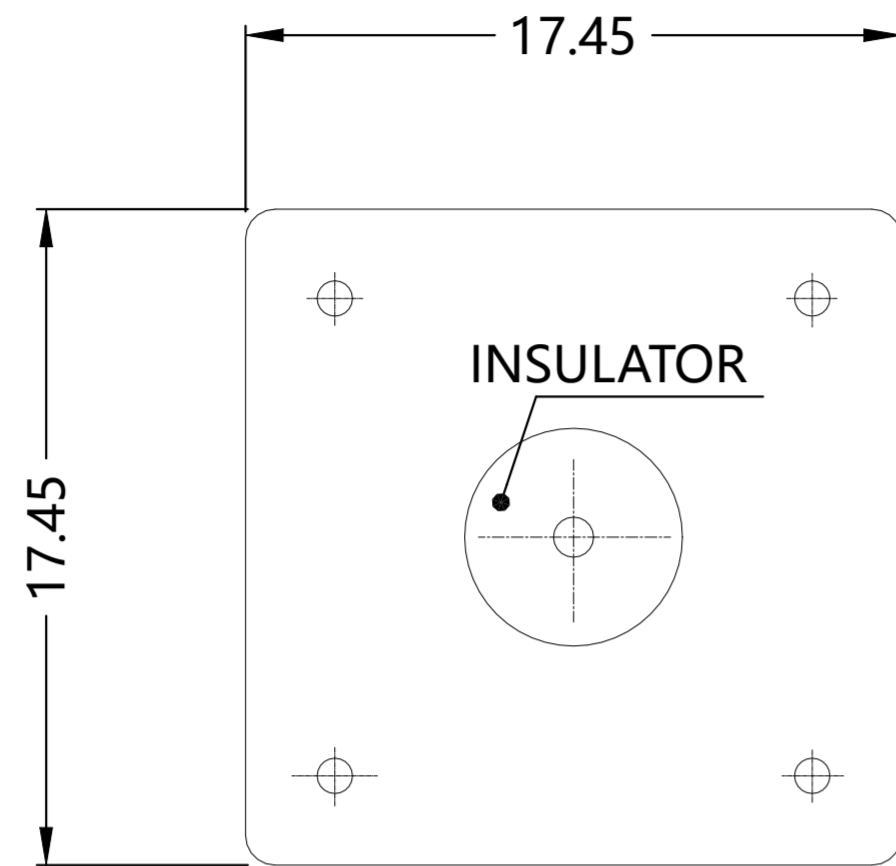


| REVISIONS | | | | | |
|-----------|-----|-----------------------|-----------|-----|------|
| P | LTR | DESCRIPTION | DATE | DWN | APVD |
| A | | GTP PER ECN-23-241273 | 28NOV2023 | ED | WH |



RECOMMENDED MOUNTING HOLE DIM'S

NOTES:

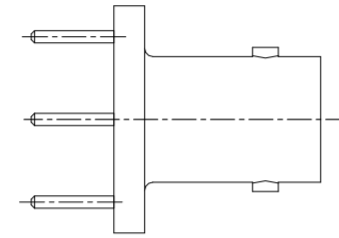
- 1 TRAY PACKAGING, DETAIL PACKAGE IS IN PAGE 2;
- 2 ALL DIMENSIONS ARE NOMINAL FOR REFERENCE ONLY UNLESS OTHERWISE STATED;
- 3 ELECTRICAL CHARACTERISTICS :
 FREQUENCY RANGE : DC-2GHz
 NOMINAL IMPEDANCE : 75 OHMS
 INSULATION RESISTANCE : 5000 MOHMS
 WORKING VOLTAGE : 500 VRMS MAX
 DIELECTRIC WITHSTANDING VOLTAGE : 1500 VOLTS MAX
 VSWR : 1.35 MAX(DC-2GHz)
 CONTACT RESISTANCE :
 CENTER CONTACT : 1.5 mOHMS MAX
 OUTER CONTACT : 0.2 mOHMS MAX;
- 4 MECHANICAL CHARACTERISTICS :
 DURABILITY : 500 CYCLES
 CENTER CONTACT RETENTION FORCE : 6 LBS MIN;
- 5 TEMPERATURE RANGE: -65°-+165°;
- 6 RoHS: COMPLIANT.

| QTY | DESCRIPTION | MATERIAL | DESCRIPTION | ITEM |
|-----------|----------------------|------------------|-------------|------|
| 4 | TIN 100u"/COPPER | BRASS | PIN | 4 |
| 1 | Au 3u"/NICKEL/COPPER | BERYLLIUM COPPER | CONTACT | 3 |
| 1 | NATURAL | PTFE | INSULATOR | 2 |
| 1 | NICKEL 150u"/COPPER | BRASS | BODY/SHELL | 1 |
| 2476057-1 | PLATING | MATERIAL | DESCRIPTION | ITEM |

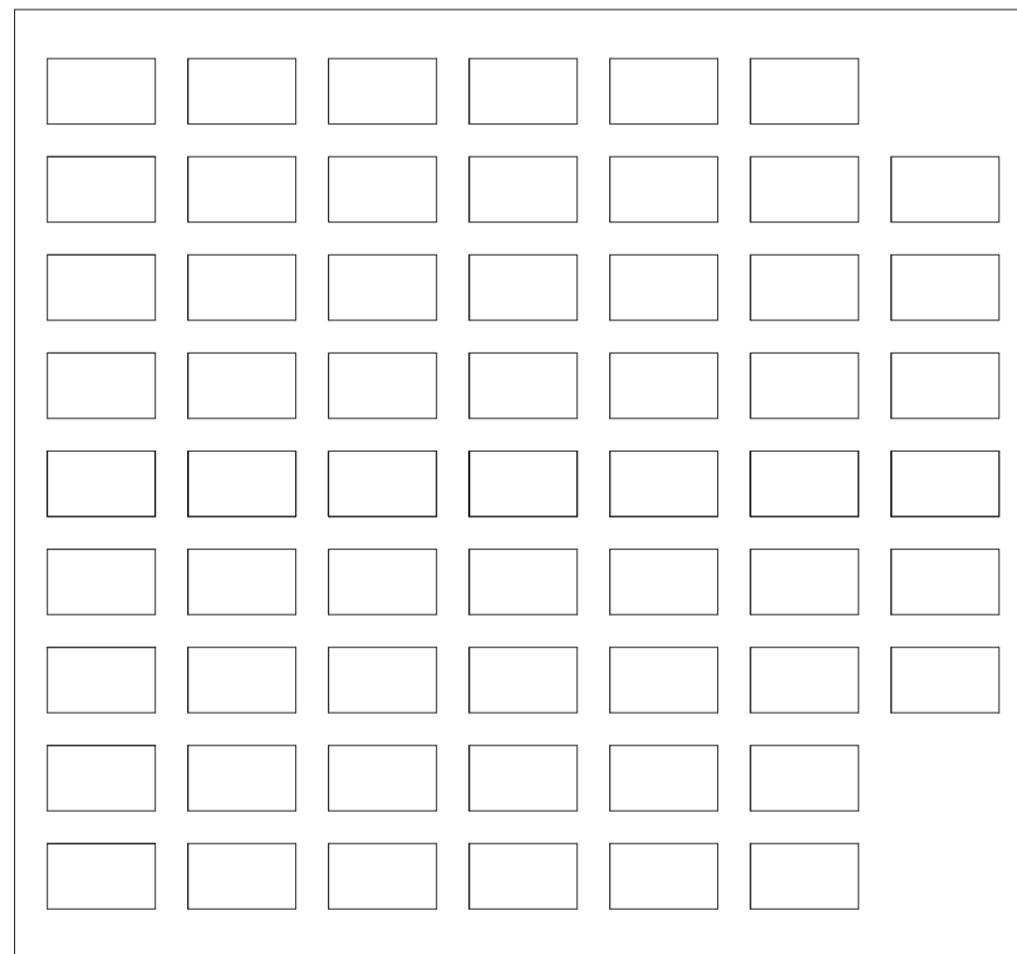
| | | | | |
|--|--|-------------------------|---|--------------------|
| THIS DRAWING IS A CONTROLLED DOCUMENT. | | DWN ED 19OCT2023 | TE Connectivity Ltd. | |
| DIMENSIONS: mm | | CHK ED 19OCT2023 | | |
| | | APVD WH 19OCT2023 | NAME BNC JACK,PCB MOUNTING HOLE, STRAIGHT,75 OHM,2GHZ | |
| TOLERANCES UNLESS OTHERWISE SPECIFIED: 0 PLC ± - 1 PLC ± 0.3 2 PLC ± 0.2 3 PLC ± 0.1 4 PLC ± - ± 5' | | PRODUCT SPEC | RESTRICTED TO | |
| MATERIAL SEE TABLE | | APPLICATION SPEC | SIZE A2 | CAGE CODE 00779 |
| | | WEIGHT 0 | DRAWING NO C=2476057 | SCALE 8:1 |
| | | CUSTOMER DRAWING | SHEET 1 of 2 | REV A |

| REVISIONS | | | | | |
|-----------|-----|-------------|------|-----|------|
| P | LTR | DESCRIPTION | DATE | DWN | APVD |
| - | - | SEE SHEET 1 | - | - | - |

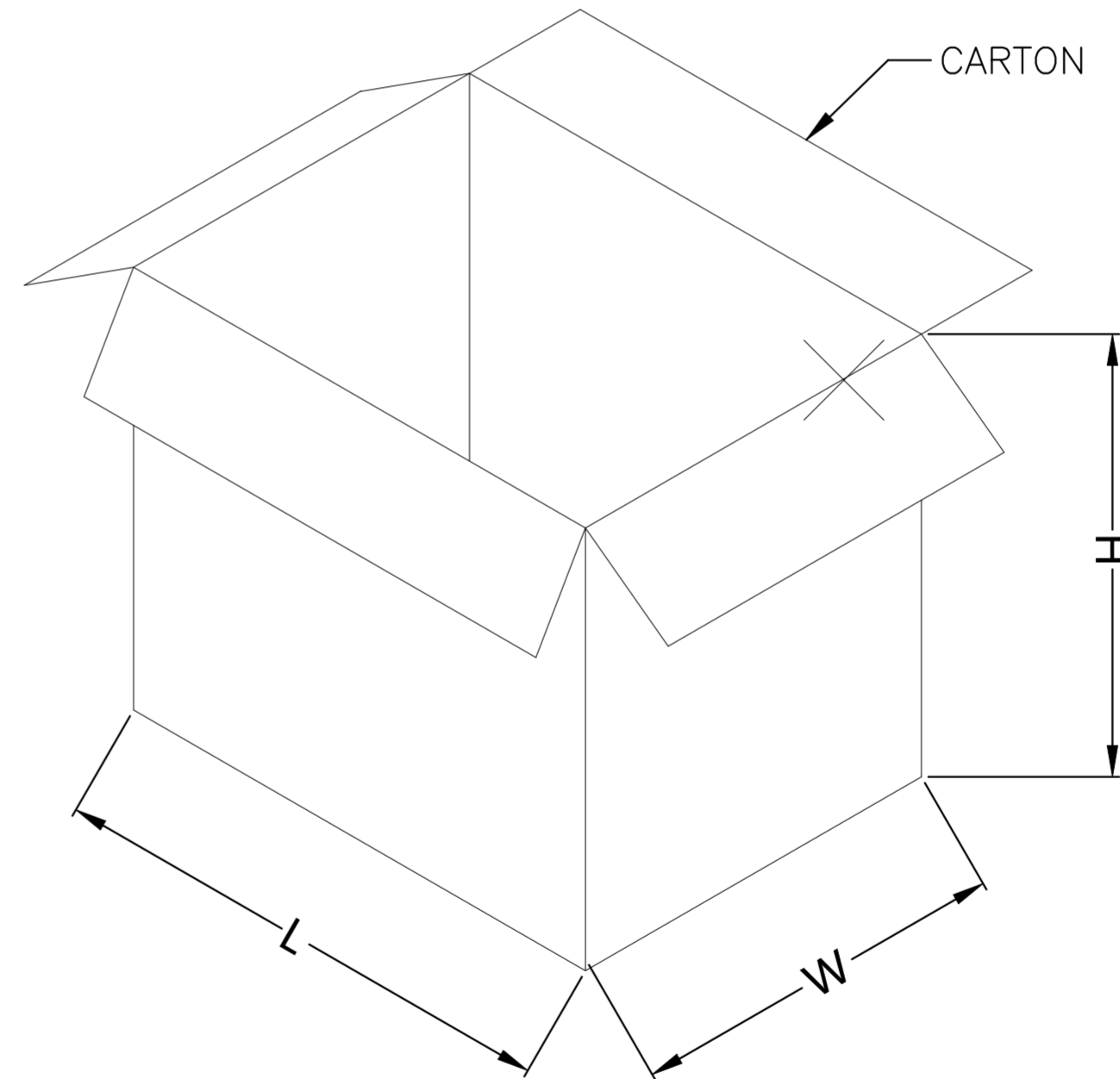
- NOTES :
- DIMENSION:
CARTON: L=320, W=300, H=180
 - QUANTITY:
2.1 PRIMARY PACKING: 60 PCS/DISH(60PCS)
2.2 OUTER PACKING: 10 DISH/CARTON(600PCS)



↓ 60 PCS



→ 10 dish



| | | | | | |
|--|--|--|----|-----------|---|
| THIS DRAWING IS A CONTROLLED DOCUMENT. | | DWN | ED | 19OCT2023 | TE Connectivity Ltd. |
| | | CHK | ED | 19OCT2023 | |
| | | APVD | WH | 19OCT2023 | |
| | | PRODUCT SPEC | | | |
| DIMENSIONS: mm | | TOLERANCES UNLESS OTHERWISE SPECIFIED: | | | NAME |
| | | 0 PLC | ± | - | BNC JACK,PCB MOUNTING HOLE, STRAIGHT,75 OHM,2GHZ |
| | | 1 PLC | ± | 0.3 | |
| | | 2 PLC | ± | 0.2 | |
| | | 3 PLC | ± | 0.1 | |
| | | 4 PLC | ± | - | |
| | | ANGLES | ± | 5° | |
| MATERIAL SEE TABLE | | FINISH - | | | SIZE |
| | | WEIGHT - | | | A2 |
| | | CUSTOMER DRAWING | | | CAGE CODE |
| | | SCALE 8:1 | | | 00779 |
| | | SHEET 2 OF 2 | | | DRAWING NO |
| | | REV A | | | C=2476057 |
| | | RESTRICTED TO | | | - |