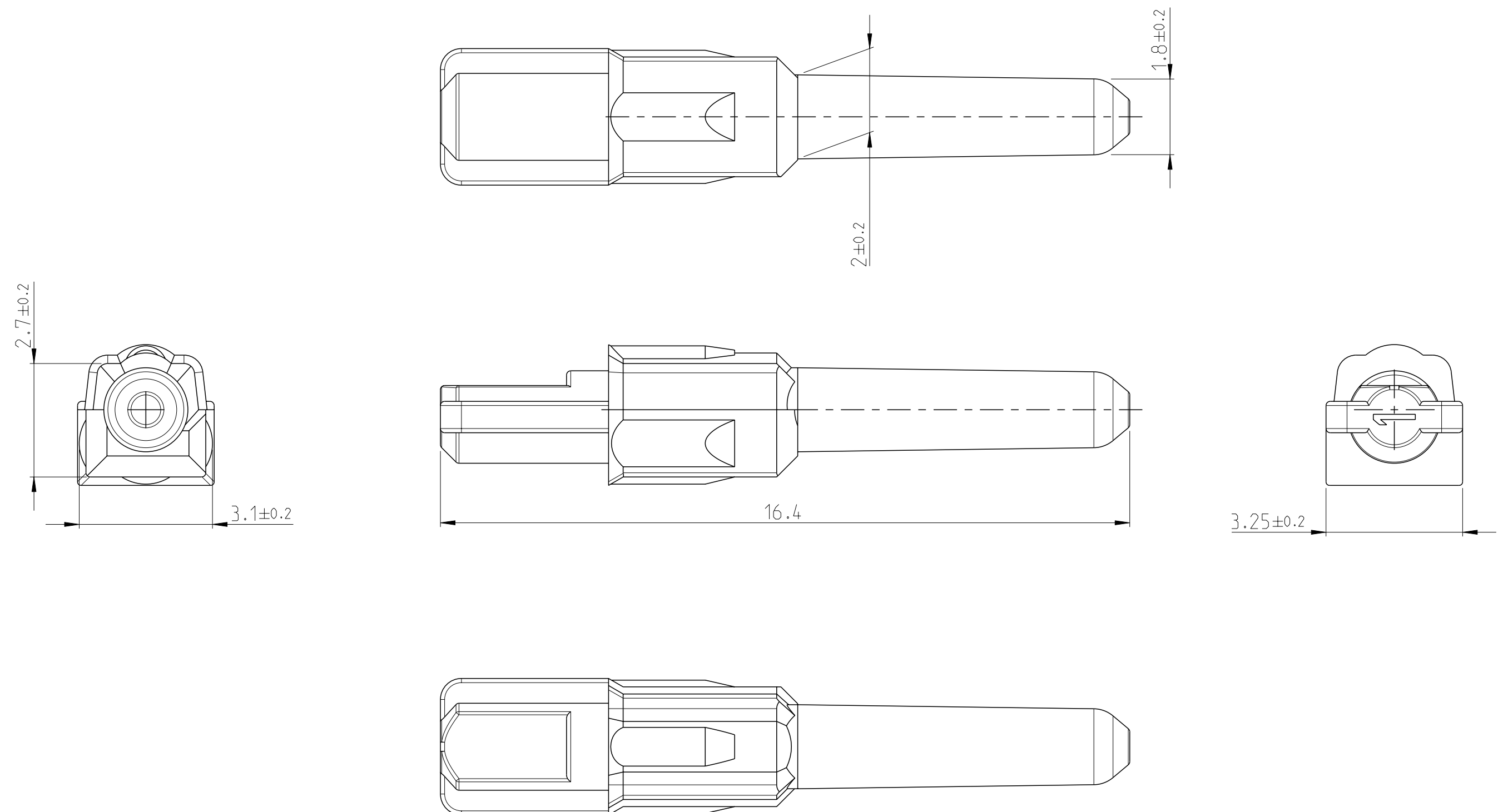


P	LTR	DESCRIPTION	DATE	DWN	APVD
A		INITIAL RELEASE	10NOV23	R.C	J.Z



Notes:

1 PACKAGING: LOOSE PIECE IN CARDBOARD BOX

2 MATED WITH:

- REC. HSG. 32 POS. 0-1719675
- REC. HSG. 32 POS. 0-1719682
- REC. HSG. 32 POS. 0-1418392
- REC. HSG. 32 POS. 0-1670065
- REC. HSG. 32 POS. 0-1670066

- REC. HSG. 48 POS. 0-1719678
- REC. HSG. 48 POS. 0-1719683
- REC. HSG. 48 POS. 0-1418416
- REC. HSG. 48 POS. 0-1670067
- REC. HSG. 48 POS. 0-1670068
- REC. HSG. 48 POS. 0-1670069

2476648-1	A	BLIND PLUG	PA66	GREY	1
PART NO	REV.	DESCRIPTION	MATERIAL	COLOUR	ITEM NO

THIS DRAWING IS A CONTROLLED DOCUMENT.		DWN R.CHEN 10NOV2023	TE Connectivity NAME BLIND PLUG FEMALE 1.5		
DIMENSIONS: mm		CHK S.FAN 12NOV2023			
TOLERANCES UNLESS OTHERWISE SPECIFIED:		APVD J.ZONG 14NOV2023			
0 PLC ±0.3 1 PLC ±0.3 2 PLC ±0.3 3 PLC ± 4 PLC ± ANGLES ±1° FINISH		PRODUCT SPEC - APPLICATION SPEC -			
MATERIAL	-	WEIGHT	-	SIZE	A2
	-		-	CAGE CODE	00779
	-		-	DRAWING NO	C-2476648
	-		-	RESTRICTED TO	-
CUSTOMER DRAWING			SCALE	5:1	SHEET 1 OF 1
					REV A

Printed on 13 Dec 2023 10:57 (?????) from IES26141