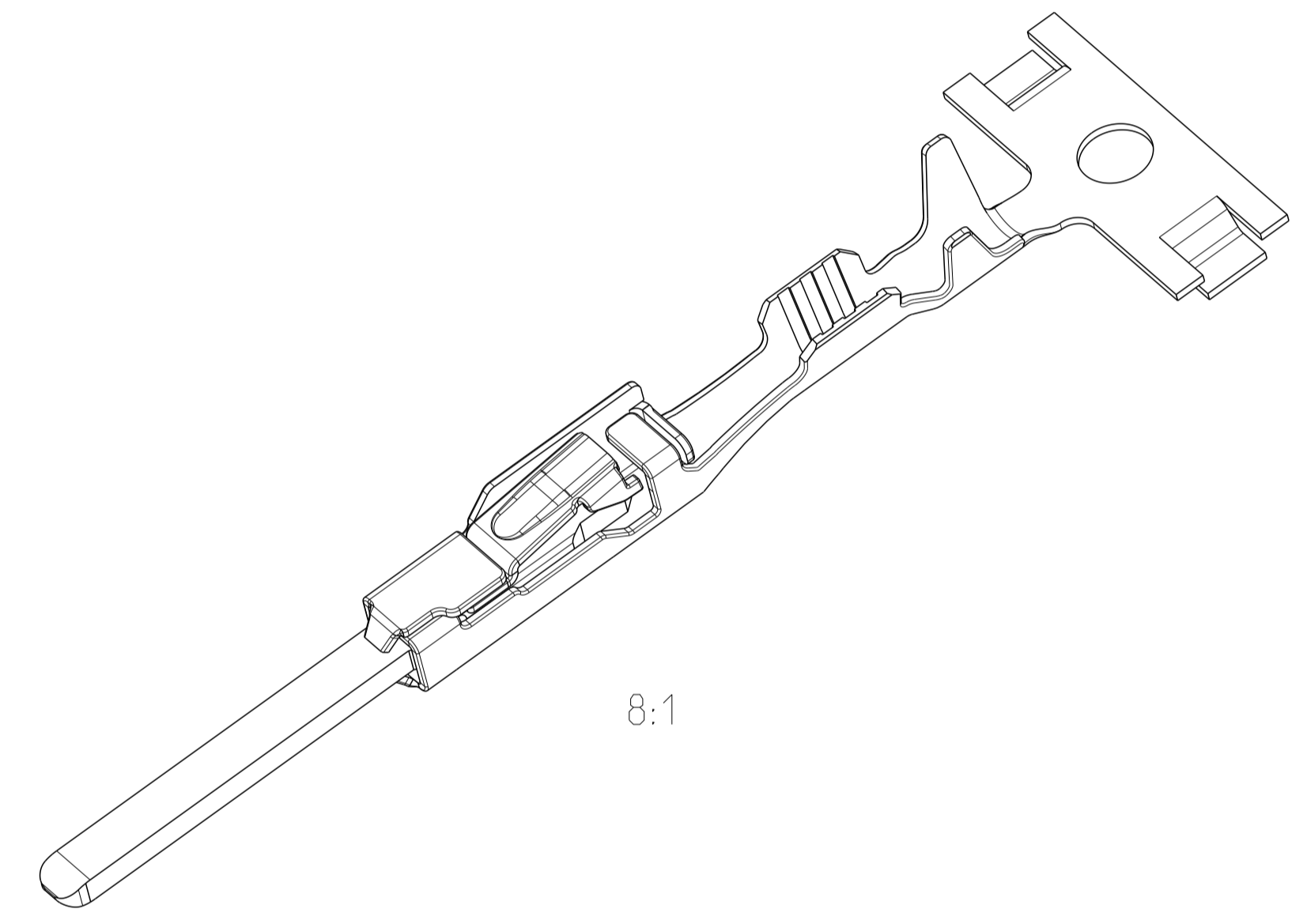
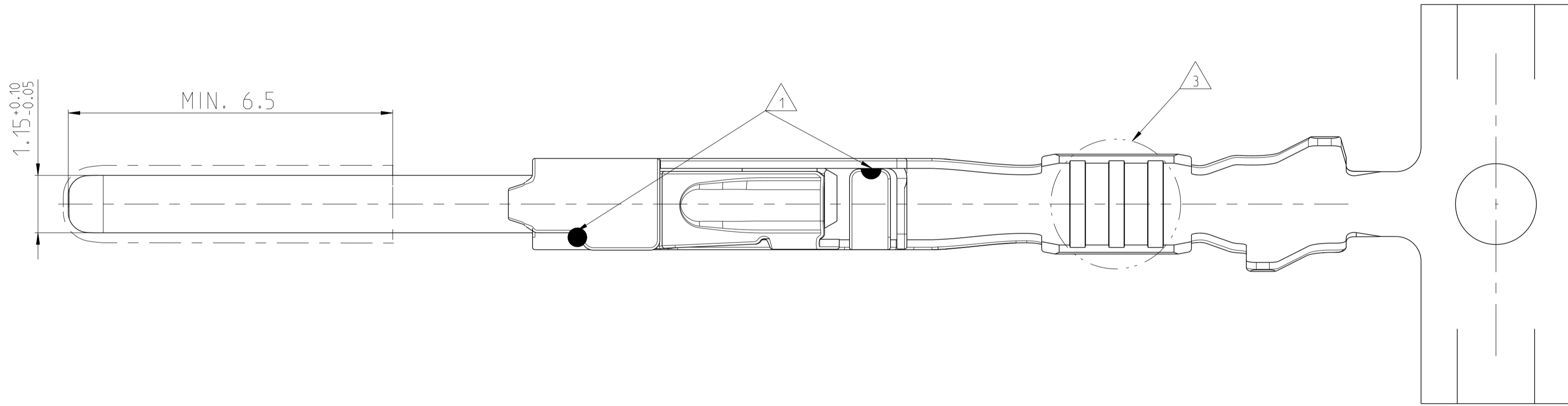
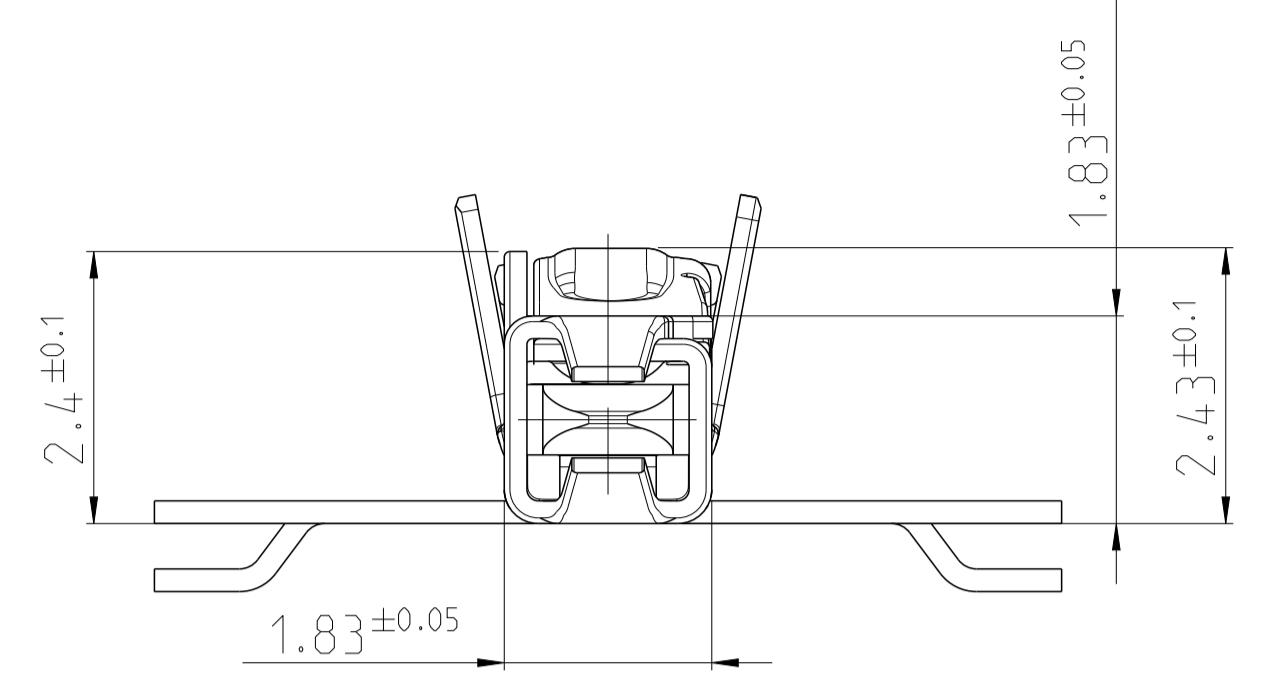
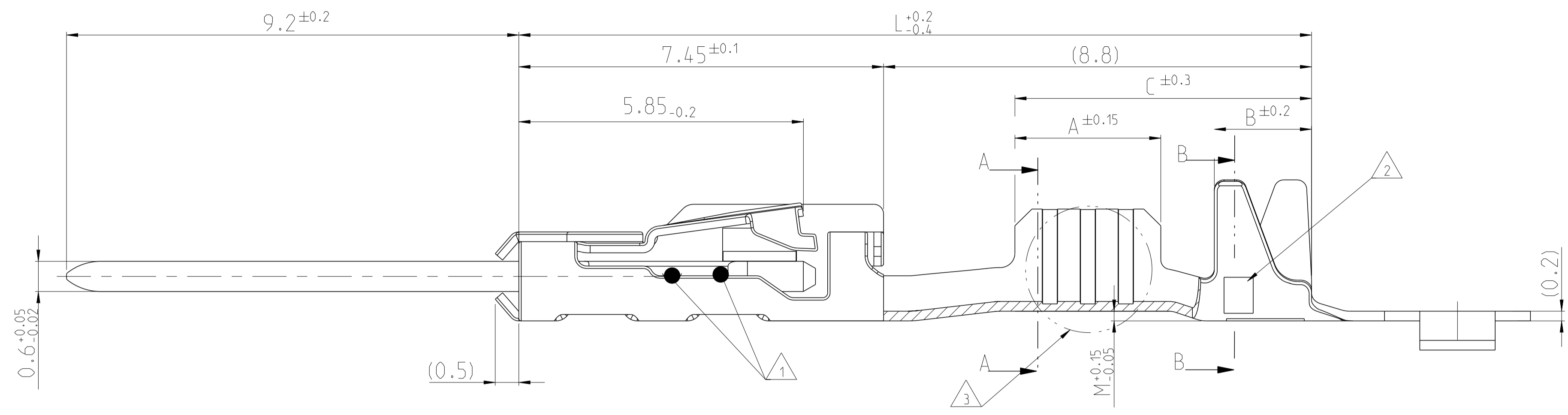
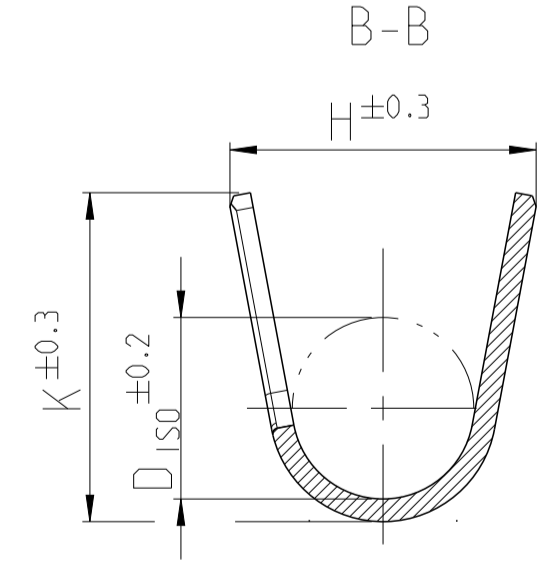
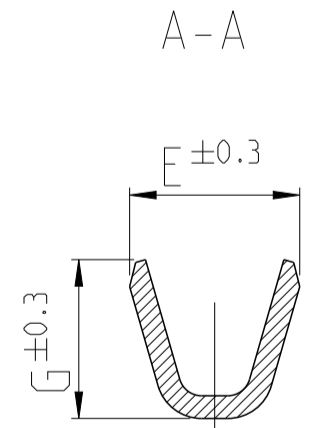
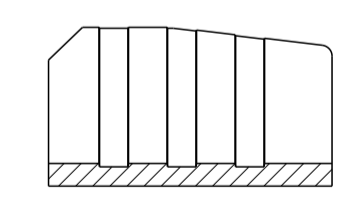


REVISIONS				
P	LTN	DESCRIPTION	DATE	DMN APVD
1		ECN-24-271729, TE	21-Jun-24	C. L. P.



WIRE CRIMP DESIGN 1



DESIGN APPROVED THIS PRINT IS
PRELIMINARY
 TO FIRST PIECE APPROVAL
 CONTACT PRODUCT ENGINEERING
 BEFORE USING THIS PRINT

NOTES
 Bemerkungen

- 1 LASER WELDED
- 2 REVISION STATUS
- 3 DIFFERENT FORM OF THE SERRATIONS AND WIRE-CRIMP POSSIBLE
- 4 RELEASED WIRE. SEE APPLICATION SPEC. TE 114-18464

FLR CABLE SEE APPLICATION SPECIFICATION	2489817-1	1	0.13 - 0.22	0.85 - 1.2	CuNiSi	CuSn0.15/0.2	TIN PLATED	TIN PLATED	1	A = 2.5 B = 1.7 C = 5.4	E = 1.5 G = 1.4	H = 2.0 K = 1.9 D ₁₅₀ = 1.1	15.3
INSULATION CRIMP FOR	ORDER NO. STRIP	REV	WIRE RANGE (mm 2)	INSULATION-Ø (mm)	BODY	TAB	BODY	SPRING	DESIGN WIRE-CRIMP	LENGTH	WIRE CRIMP	INSULATION CRIMP	DIMENSION (mm)
					MATERIAL		SURFACE			CRIMP DIMENSION (mm)			

PRODUCT CHARACTERISTICS ACC. QMP 1.12 BESONDERE MERKMALE NACH QMP 1.12	TOLERANCING ISO 8015 TOLERIERUNG ISO 8015
THIS DRAWING IS A CONTROLLED DOCUMENT.	DMN 24-JUN-24 C.L.P. 21-JUN-24
DIMENSIONS: mm	TOLERANCES UNLESS OTHERWISE SPECIFIED: ±0.2mm ±0.1mm ±0.05mm
MATERIAL SEE TABLE	FINISH SEE TABLE
PRODUCT SPEC 108-18782 APPLICATION SPEC 114-18464	NAME PRODUCT GROUP DRAWING FOR TAB CONTACT 1.2 MM
WEIGHT -	RESTRICTED TO -
CUSTOMER DRAWING	SCALE 15:1 SHEET 1 OF 1 REV 1