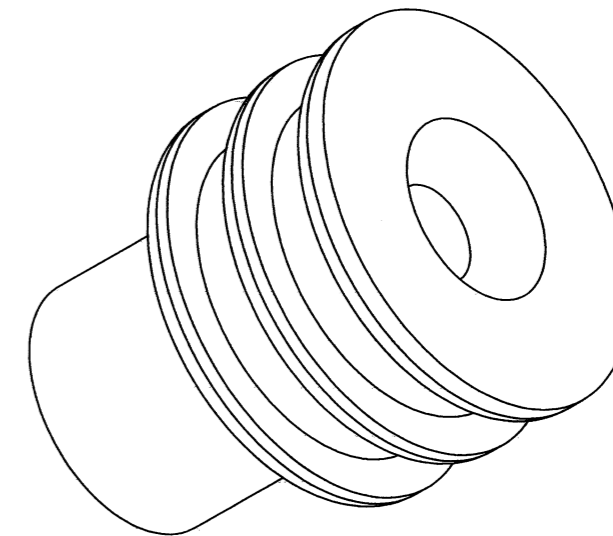
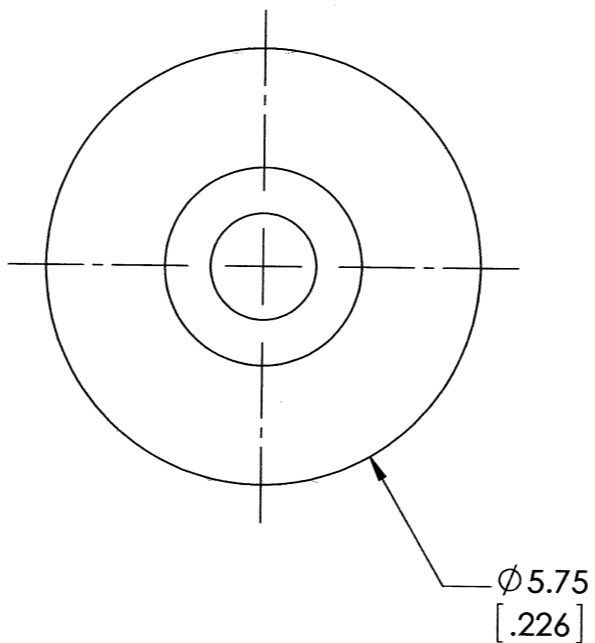
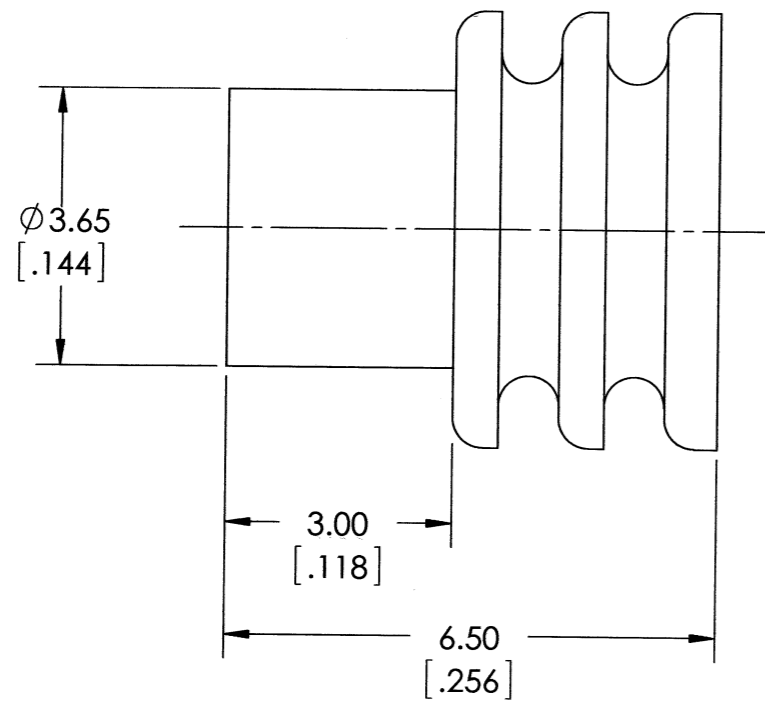



REV
A
25JH0024

REVISIONS			
SYM	DESCRIPTION	DATE	APPROVED
NC	NEW RELEASE PER E.O. P20267	7-29-09	R.D.R.
A	REVISED AND REDRAWN PER E.O. P20821	3-3-11	RDR



- 4. SEE 37322C-00013-01 FOR PRODUCT USED ON.
- 3. MATERIAL: SILICONE; COLOR: BRIGHT WHITE. RoHS COMPLIANT.
- 2. DIMENSION TOLERANCE: $\pm .64$ [.025].
- 1. DIMENSIONS ARE IN MILLIMETERS [INCHES].

NOTES: UNLESS OTHERWISE SPECIFIED

SIGNATURE & DATE		PLUG, SEALING SRK SERIES ENVELOPE	EP 201	MATL. CODE
DR	J. APOSTOL 23FEB2011		 3850 INDUSTRIAL AVE. HEMET, CA 92545	
CHK	<i>D. Meyer</i> 3/3/11		DEUTSCH INDUSTRIAL	
PE	<i>D. Meyer</i> 3/3/11		B 25JH0024	
APPD	<i>P. Rad</i> 3-3-11		DWG SIZE	CODE 11139
SCALE	NONE	WT	0.11 g	SHEET 1 OF 1