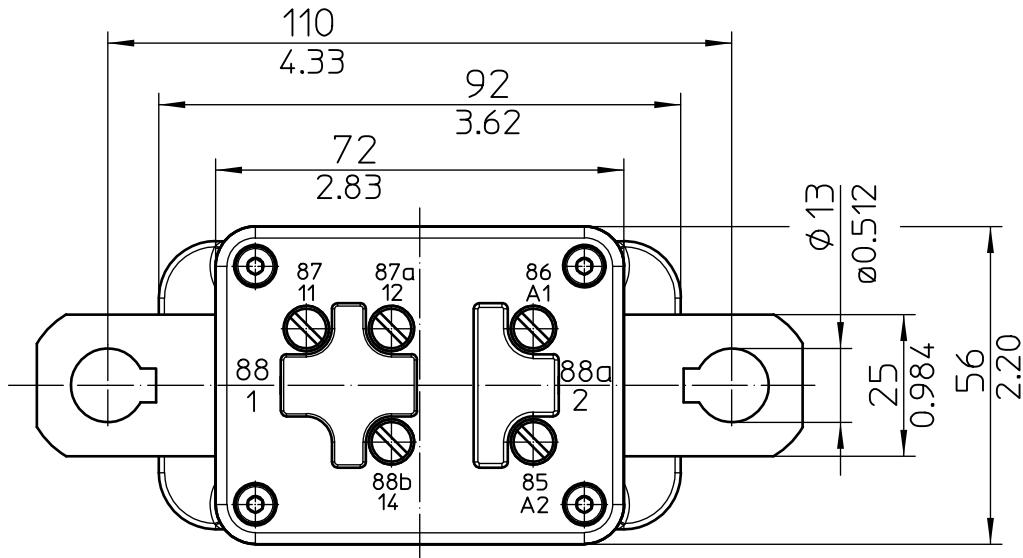
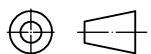
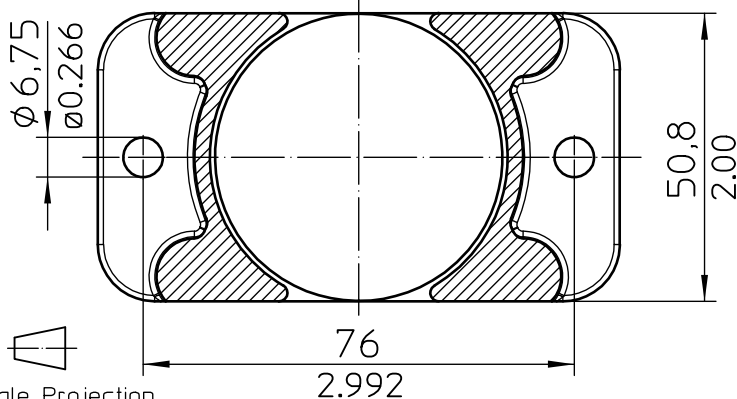
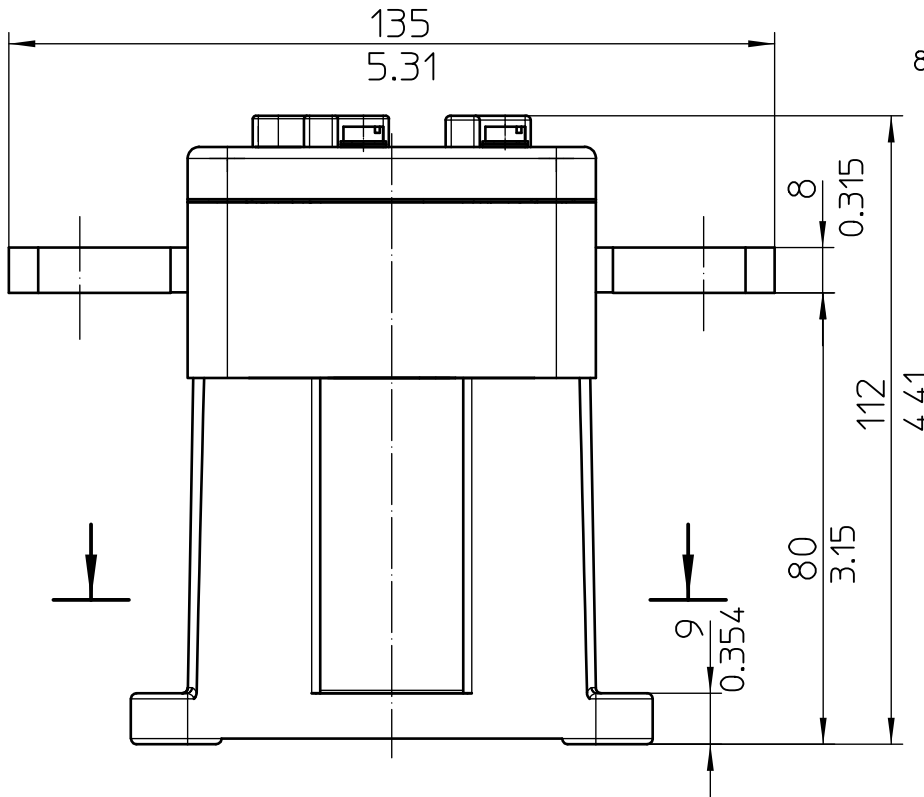
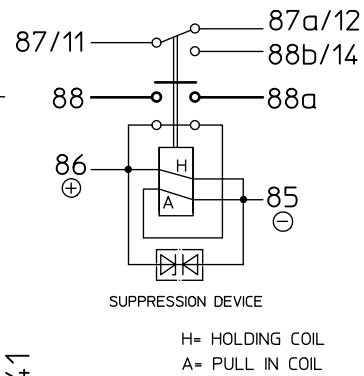


350 AMP POWER RELAY (28 VDC)

TOP MOUNTING ENVIRONMENTALLY SEALED AUXILIARY CONTACT



CIRCUIT



Third Angle Projection

DIMENSIONAL TOLERANCES
 3 PLACE DECIMAL ±0.010
 2 PLACE DECIMAL ±0.03
 ANGULAR ±0°30'

	Date	Name
Drawn	12.07.2006	Hamar
Check	13.07.2006	Grind

mm	Scale
	1:1
General Tolerances	
DIN ISO 2768 mK	

Elektrotechnik - GmbH & Co KG
 D - 72218 Wildberg

Drawing No:	26-06-13
NSN.:	

350 AMP POWER RELAY (28 VDC)

TOP MOUNTING ENVIRONMENTALLY SEALED AUXILIARY SEALED

MEETS THE REQUIREMENTS OF MIL-R-6106

ENVIRONMENTAL CHARACTERISTICS

TEMPERATUR RANGE.....-55°C TO +74°C (-67°F TO +165°F)
 MAX. ALTITUDE RATING.....50 000 FT
 SEAL.....IEC PUBLICATION 529; IP 67; 6 FT
 SHOCK G-LEVEL.....MIL-STD-202, TEST METHOD 213, HALF SINE = 11 MSEC/ 30 G
 VIBRATION ENERGIZED.....MIL-STD-202, TEST CONDITION D = 20 G
 VIBRATION DE-ENERGIZED.....MIL-STD-202, TEST CONDITION C = 10 G
 ACCELERATION.....15 G

ELECTRICAL CHARACTERISTICS

MIN. INSULATION RESISTANCE, INITIAL.....100 MEGOHMS
 AFTER LIFE OR ENVIRONMENTAL.....50 MEGOHMS
 DIELECTRIC WITHSTANDING VOLTAGE SEA-LEVEL 1 MINUTE.....1050 VOLTS
 DIELECTRIC WITHSTANDING VOLTAGE ALTITUDE 1 MINUTE.....500 VOLTS
 MAX. CONTACT DROP INITIAL.....0.15 VOLTS
 AFTER LIFE TEST.....0.175 VOLTS
 OVERLOAD.....2400 AMP
 RUPTURE CURRENT.....3500 AMP
 DUTY RATING.....350 AMP CONTINUOUS

RATED CONTACT LOAD (28 VDC)

MAIN CONTACT

RESISTIVE LOAD.....50 000 CYCLES WITH 350 AMP
 INDUCTIVE LOAD.....10 000 CYCLES WITH 85 AMP
 MOTOR LOAD.....50 000 CYCLES WITH 350 AMP
 MECHANICAL LIFE.....100 000 CYCLES WITH 85 AMP

AUXILIARY CONTACT

CONTINUOUS CURRENT.....8 AMP
 MAKE AND BREAK.....16 AMP

OPERATING CHARACTERISTICS

COIL DATA

VOLTAGE RANGE.....18-32 VDC
 NOMINAL VOLTAGE.....28 VDC
 PICK UP VOLTAGE MAX.....18 VDC FULL TEMP. RANGE
 RESISTANCE PULL IN COIL.....2.8 OHMS ±20%
 PULL IN CURRENT MAX.....8 AMP FOR 30 MILLISECONDS
 RESISTANCE HOLDING COIL.....82 OHMS ±10%
 HOLDING CURRENT MAX.....0.40 AMP
 DROP OUT VOLTAGE.....≤7 VDC FULL TEMP. RANGE

TIME-MILLISECONDS-MAX

OPERATE.....25
 RELEASE.....20
 BOUNCE.....3,5

WEIGHT.....1,3 KG = 2.9 POUND MAX.

WIRE SECTION (AT NOMINAL LOAD).....MIN. 150 mm²/ 0.233 sq.in/ MCM 300

SUBJECT TO CHANGE

	Date	Name	$\frac{\text{mm}}{\text{inch}}$	Scale 1:1	 Elektrotechnik - GmbH & Co KG D - 72218 Wildberg	Drawing No: 26-06-13
Drawn	12.07.2006	Hamar	General Tolerances DIN ISO 2768 mK			
Check	13.07.2006	Grind				NSN.: