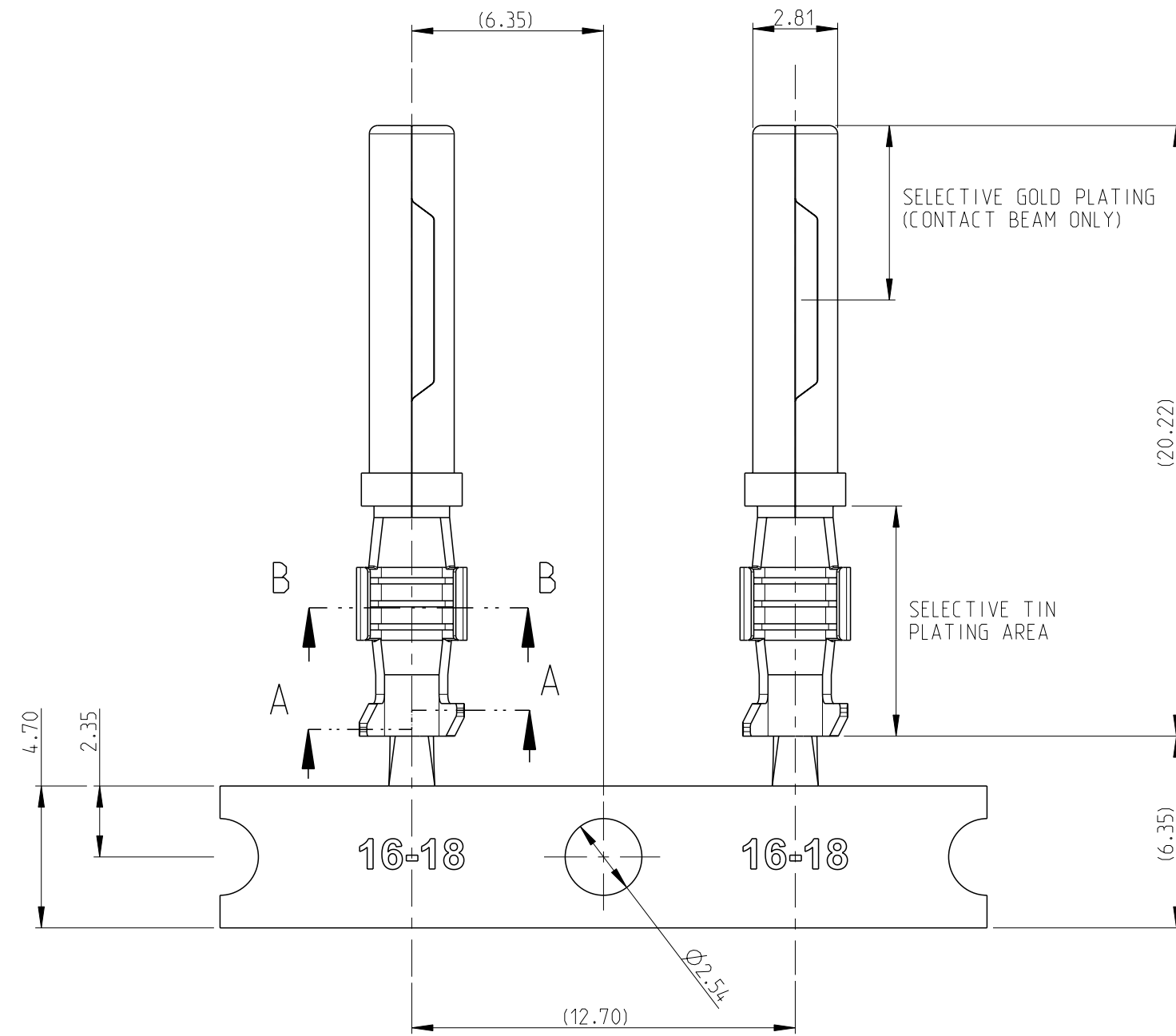
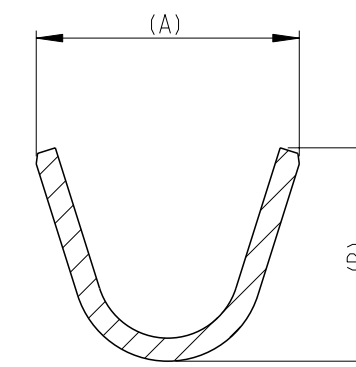


P	LTR	DESCRIPTION	DATE	DWN	APVD
A		INITIAL RELEASE	05FEB2021	J.G	I.Y
A1		REVISE	12OCT2021	K.W	W.Z

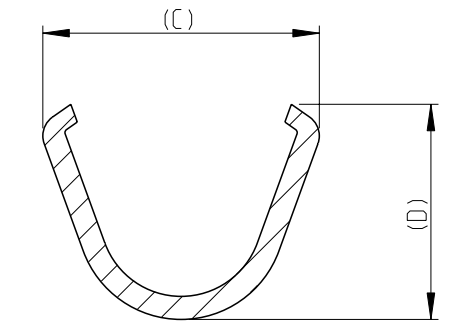


SCALE 5:1
16-18 AWG SIZE SHOWN

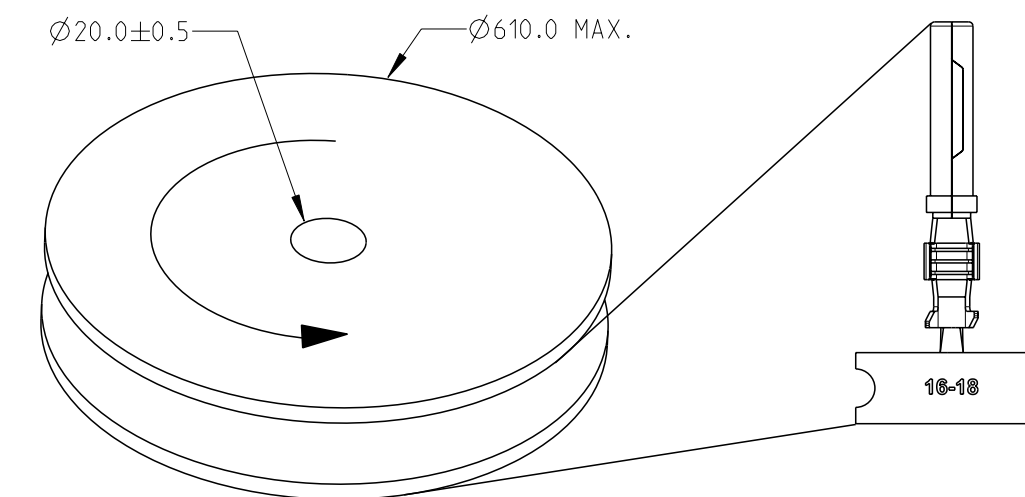
- 1 MATERIAL: COPPER ALLOY 0.300 THICKNESS.
- 2 FINISH: SELECTIVE TIN 0.5 μm MINIMUM OVER NICKEL 1.00 μm MINIMUM OVERALL.
- 3 FINISH: SELECTIVE HARD GOLD 0.60 μm MINIMUM WITH SELECTIVE TIN 0.5 μm MINIMUM OVER NICKEL 1.00 μm MINIMUM OVERALL.
- 4. STRIP PARTS ARE REELED 3000 PARTS PER REEL.
- 5. TERMINAL FOR USE ON XRC & ML-XT CONNECTOR ASSEMBLIES.



SECTION A-A
SCALE: 10:1
INSULATION CRIMP



SECTION B-B
SCALE: 10:1
CONDUCTOR CRIMP



0.22mm-0.50mm	20-24 AWG	20-24	2.02	2.25	2.60	2.43	SELECTIVE GOLD	3	COPPER ALLOY	845250067	5-2600021-5
0.22mm-0.50mm	20-24 AWG	20-24	2.02	2.25	2.60	2.43	NICKEL	2		845250063	5-2600021-3
1.40mm-2.54mm	0.5-1.0 mm ²	0.5-1.0	2.90	3.71	2.92	3.40	SELECTIVE GOLD	3		845250057	4-2600021-5
1.40mm-2.54mm	0.5-1.0 mm ²	0.5-1.0	2.90	3.71	2.92	3.40	NICKEL	2		845250053	4-2600021-3
2.41mm-3.81mm	14-18 AWG	14-18	3.43	4.05	4.60	5.68	SELECTIVE GOLD	3		845250046	3-2600021-5
2.41mm-3.81mm	14-18 AWG	14-18	3.43	4.05	4.60	5.68	NICKEL	2		845250025	3-2600021-3
1.90mm-3.30mm	14-18 AWG	14-18 TW	3.27	3.95	3.38	4.57	SELECTIVE GOLD	3		845250039	2-2600021-5
1.90mm-3.30mm	14-18 AWG	14-18 TW	3.27	3.95	3.38	4.57	NICKEL	2		845250017	2-2600021-3
1.40mm-2.16mm	16-18 AWG	16-18	2.85	3.64	2.82	3.48	SELECTIVE GOLD	3		845250032	1-2600021-5
1.40mm-2.16mm	16-18 AWG	16-18	2.85	3.64	2.82	3.48	NICKEL	2		845250009	1-2600021-3
INSULATION RANGE	WIRE RANGE	STAMP NO.	D	C	B	A	FINISH	MATERIAL	ALIAS P/N	PART NUMBER	
			WIRE CRIMO		INSULATION CRIMP						

THIS DRAWING IS A CONTROLLED DOCUMENT.		DWN	12OCT2021	TE Connectivity							
DIMENSIONS: mm		CHK	W.ZHANG 12OCT2021								
TOLERANCES UNLESS OTHERWISE SPECIFIED: ±0.20		APVD	W.ZHANG 12OCT2021								
0 PLC ± 1 PLC ± 2 PLC ± 3 PLC ± 4 PLC ± ANGLES ± FINISH ±2.0°		NAME	XRC SOCKET W/SNAP WINDOW								
MATERIAL	-	PRODUCT SPEC	-	SIZE	A2	CAGE CODE	00779	DRAWING NO	C-2600021	RESTRICTED TO	
		APPLICATION SPEC	-	WEIGHT	-	SCALE	5:1	SHEET	1 OF 1	REV	A1
		CUSTOMER DRAWING									