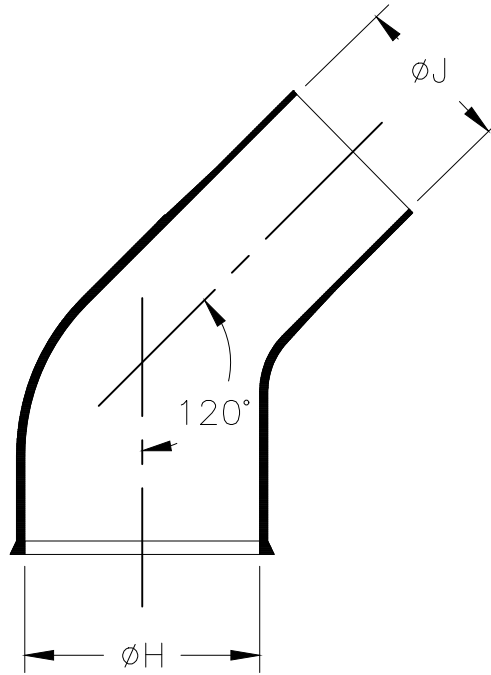
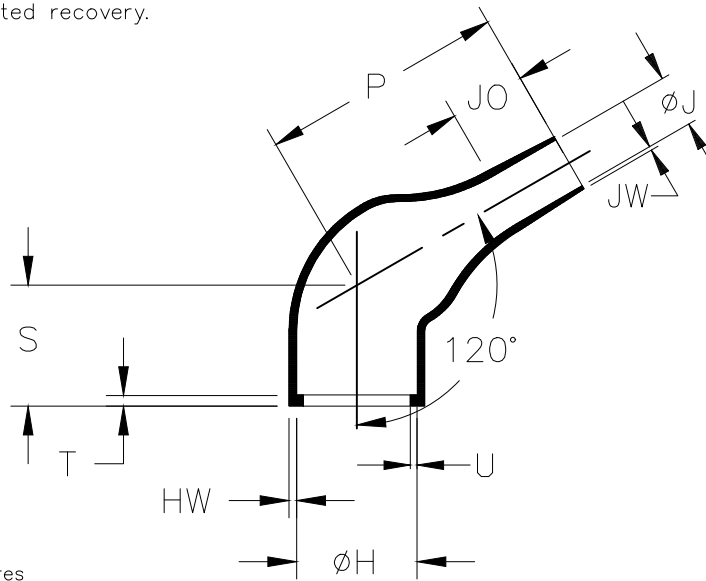


REVISIONS				
P	LTR	DESCRIPTION	DATE	APVD
	3	PRODUCTION ISSUE	04FEB2019	PNT MT

a) Part as supplied.



b) Part after unrestricted recovery.



DIMENSIONS in millimetres
[in inches, for reference]

Part No.	H		J		±10% b	±10% b	±10% b	±10% b	±10% b	±20% b	±20% b
	Min a	Max b	Min a	Max b							
263W042-12	58 [2.28]	33.7 [1.33]	38 [1.50]	14.7 [0.58]	65 [2.56]	32 [1.26]	3.0 [0.12]	1.8 [0.07]	18 [0.71]	2.0 [0.08]	1.0 [0.04]


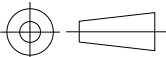
RELEASED FOR PUBLICATION

ALL RIGHTS RESERVED.

TE Connectivity Ltd.

THIS DRAWING IS UNPUBLISHED.

COPYRIGHT ©

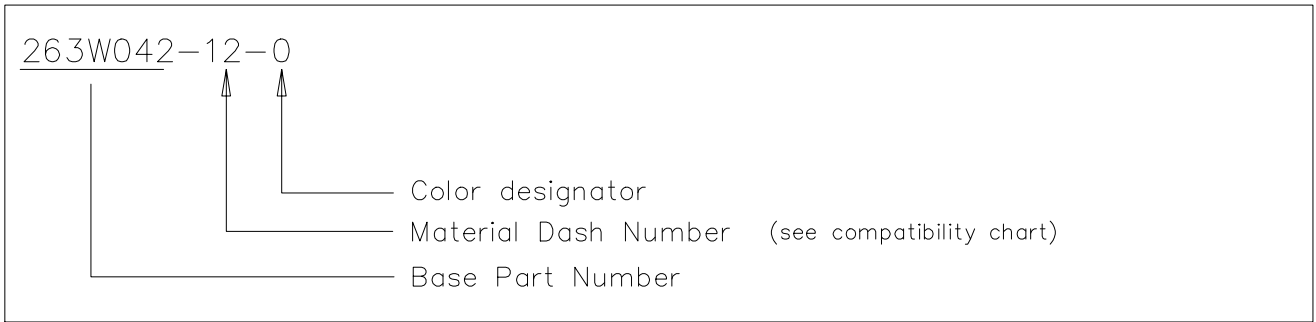
DIMENSIONS: mm [INCHES]	DWN	PRAVEEN N T	04FEB2019	MATERIAL	SEE SHEET 2	FINISH	-	
	CHK	N NAGAR	04FEB2019	 TE Connectivity Ltd.				
TOLERANCES UNLESS OTHERWISE SPECIFIED:	APVD	M TAYLOR	04FEB2019					
	0 PLC	± -	PRODUCT SPEC	NAME	BOOT, 120 DEG			
1 PLC	± -	APPLICATION SPEC	SIZE	CAGE CODE	DRAWING NO	RESTRICTED TO		
2 PLC	± -		A4	00779	263W042-12-0			
3 PLC	± -	WEIGHT	CUSTOMER DRAWING				SCALE	DNS
4 PLC	± -		-	SHEET		1 OF 2	REV	3
ANGLES	± -							

REVISIONS				
P	LTR	DESCRIPTION	DATE	APVD
-	-	SEE SHEET 1	-	-

COMPATIBILITY CHART

MATERIAL DASH NO.	MATERIAL DESCRIPTION	RT SPEC	COATING SLASH NO.	COATING S NO.
-12	Fluoroelastomer, flexible	RT-1312	N/A	N/A

Ordering Information



RELEASED FOR PUBLICATION

ALL RIGHTS RESERVED.

THIS DRAWING IS UNPUBLISHED.

© COPYRIGHT - TE Connectivity Ltd.

DIMENSIONS: mm [INCHES]	DWN PRAVEEN N T	04FEB2019	MATERIAL -	FINISH -			
	CHK N NAGAR	04FEB2019	TE Connectivity Ltd.				
TOLERANCES UNLESS OTHERWISE SPECIFIED: 0 PLC ± - 1 PLC ± - 2 PLC ± - 3 PLC ± - 4 PLC ± - ANGLES ± -	APVD M TAYLOR	04FEB2019			NAME BOOT, 120 DEG		
	PRODUCT SPEC	-					
	APPLICATION SPEC	-	SIZE A4	CAGE CODE 00779	DRAWING NO C-263W042-12-0	RESTRICTED TO -	
WEIGHT -		CUSTOMER DRAWING			SCALE DNS	SHEET 2 OF 2	REV 3

