

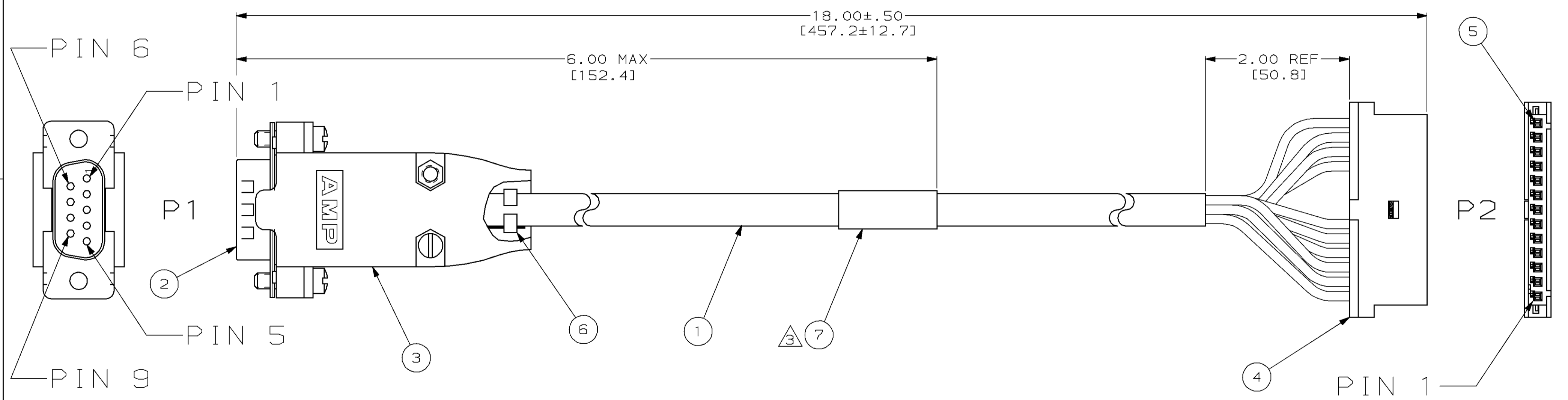
THIS DRAWING IS UNPUBLISHED. RELEASED FOR PUBLICATION
 750340 COPYRIGHT 19 BY AMP INCORPORATED. ALL RIGHTS RESERVED.

| LOC | | DIST | | REVISIONS | | | |
|-----|-----|-------------|--------------------------|-----------|--------|--|--|
| P | LTR | DESCRIPTION | DATE | DWN | APVD | | |
| CF | 39 | 0 | REL -1 PER 97-1142-076-1 | 11-18-97 | DKE FM | | |

- APPLICATION SPEC: 114-40006, 114-16003 & 114-16015.
 - 100% ELECTRICAL CONTINUITY TEST REQ'D.
- △ LABEL TO BE LOCATED IN APPROXIMATE AREA SHOWN AND READ AS FOLLOWS:

| | |
|------------|-------------------------|
| U384014 | CUSTOMER P/N |
| REV A | CURRENT REV |
| YYWW | DATE CODE |
| AMP C.O.O. | MFG - COUNTRY OF ORIGIN |

△ POS 7, 8 & 9 ARE UN-TERMINATED.



| P1 POSN | COLOR | P2 POSN |
|---------|--------|---------|
| SHELL | SHIELD | 5 |
| 1 | BLACK | 1 |
| 2 | WHITE | 2 |
| 3 | RED | 3 |
| 4 | GREEN | 4 |
| 5 | BROWN | 11 |
| 6 | BLUE | 6 |
| 7 | ORANGE | 10 |
| 8 | YELLOW | 12 |
| 9 | VIOLET | 13 |

△

278907-1
PART NO.

| DESCRIPTION | ITEM NO |
|-------------------------|---------|
| LABLE, WRITE-ON | 7 |
| FERRULE, SPLIT RING | 6 |
| CONTACT, FFC | 5 |
| 13 POS, FFC HSG, RECPT | 4 |
| 9 POS DIECAST BACKSHELL | 3 |
| 9 POS HDE-20, PLUG | 2 |
| CABLE, 9 COND, 24 AWG | 1 |

| | | | |
|--|--|---------------------------------|--|
| THIS DRAWING IS A CONTROLLED DOCUMENT. | | DWN D.EISENTRAUT 11-18-97 | AMP AMP Incorporated Harrisburg, PA 17105-3608 |
| DIMENSIONS: [INCHES [mm]] | | CHK G.FRANKLIN 11-18-97 | |
| TOLERANCES UNLESS OTHERWISE SPECIFIED: | | APVD F.McCORKEL 11-18-97 | CABLE ASSY, 9 POSN D-SUB TO 13 POSN FFC MOD HOUSING |
| 0 PLC ±- | | PRODUCT SPEC | |
| 1 PLC ±- | | APPLICATION SPEC | SIZE A2 |
| 2 PLC ±- | | 114-40029 | CAGE CODE 00779 |
| 3 PLC ±- | | WEIGHT | DRAWING NO C-278907 |
| 4 PLC ±- | | MATERIAL | SCALE 2:1 |
| ANGLES ±- | | FINISH | SHEET 1 OF 1 |
| MATERIAL | | CUSTOMER DRAWING | REV 0 |