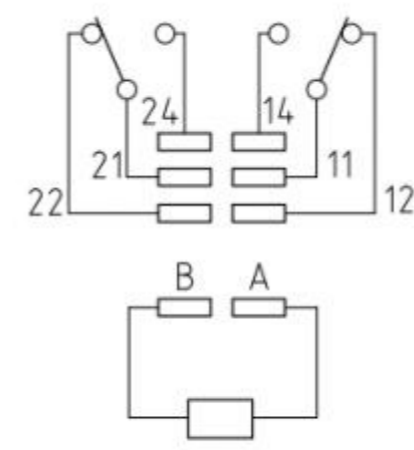
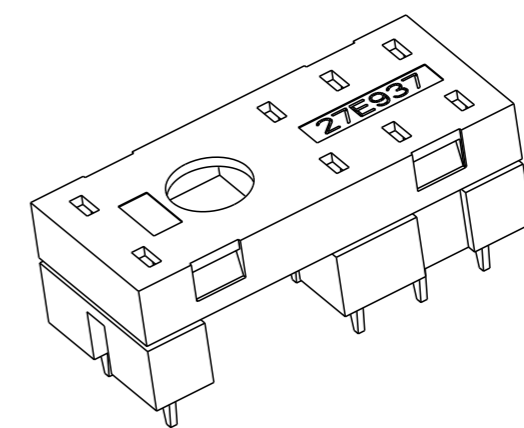
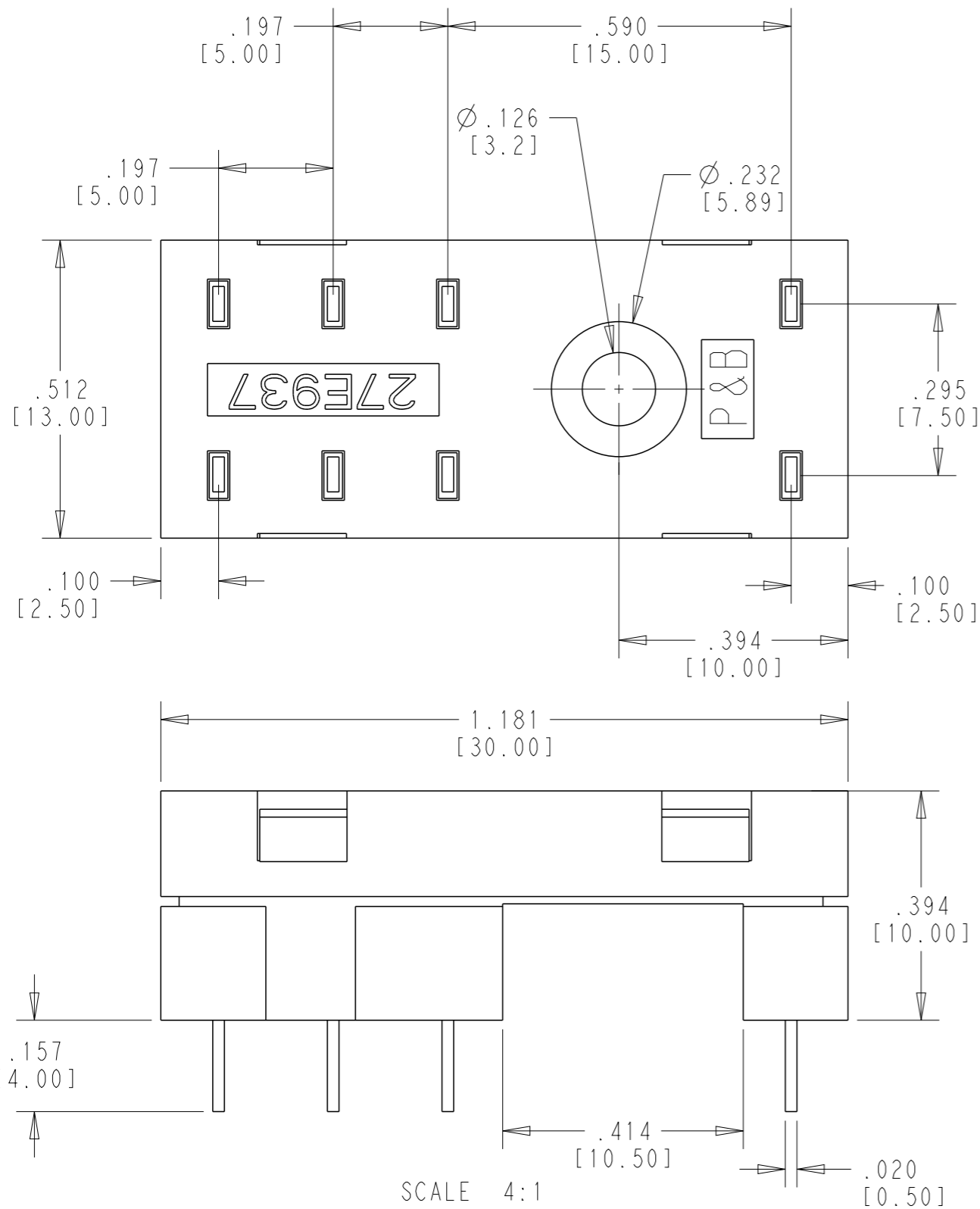
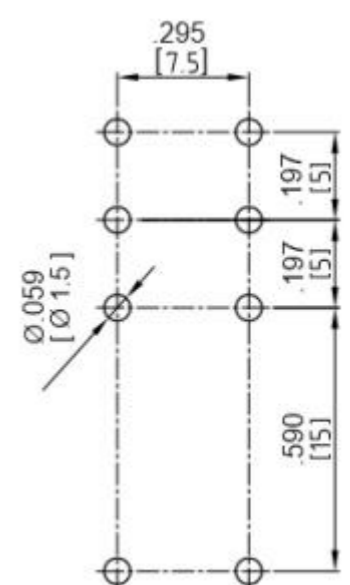


P	LTR	DESCRIPTION	DATE	DWN	APVD
	A	ECR-24-201422	22MAR2024	IS	RJ



WIRING DIAGRAM



SUGGESTED PCB LAYOUT

SCALE 4:1

WORKING TEMPERATURE: -40°C TO +70°C.  
 RATING: 10A 250V (5A MAX EACH CHANGE OVER CONTACT)  
 INSULATION RESISTANCE: ≥ 1000 M OHM  
 DIELECTRIC STRENGTH: 2Kv - 50Hz/60s  
 BODY MOULDING: PPE 25% GF  
 BODY COVER: NYLON PA6 20% GF V2  
 TERMINALS: TIN PLATED BRONZE  
 MOUNTING SCREW: M3 WITH DIN 84 HEAD OR #4-40 WITH BINDER HEAD

THIS DRAWING IS A CONTROLLED DOCUMENT.

DIMENSIONS: in [mm]	TOLERANCES UNLESS OTHERWISE SPECIFIED:
	0 PLC ±-
	1 PLC ±.1
	2 PLC ±.01
	3 PLC ±.005
	4 PLC ±.0001
ANGLES ±-	
MATERIAL	FINISH
-	-
-	-

DWN	I. SALAZAR	22MAR2024
CHK	R. JIMENEZ	22MAR2024
APVD	R. JIMENEZ	22MAR2024
PRODUCT SPEC	-	
APPLICATION SPEC	-	
WEIGHT	-	
CUSTOMER DRAWING		

TE CONNECTIVITY PART NUMBER: 3-1419106-0			
		TE Connectivity	
NAME 27E937 SOCKET, RK, 8, PC, THPLAS, B			
SIZE	CAGE CODE	DRAWING NO	RESTRICTED TO
A3	00779	©-27E937-C	-
SCALE 4:1		SHEET 1 OF 1	REV A