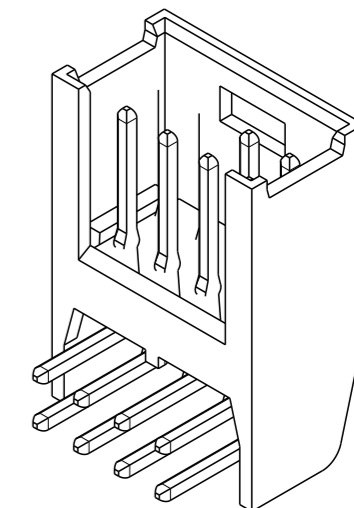
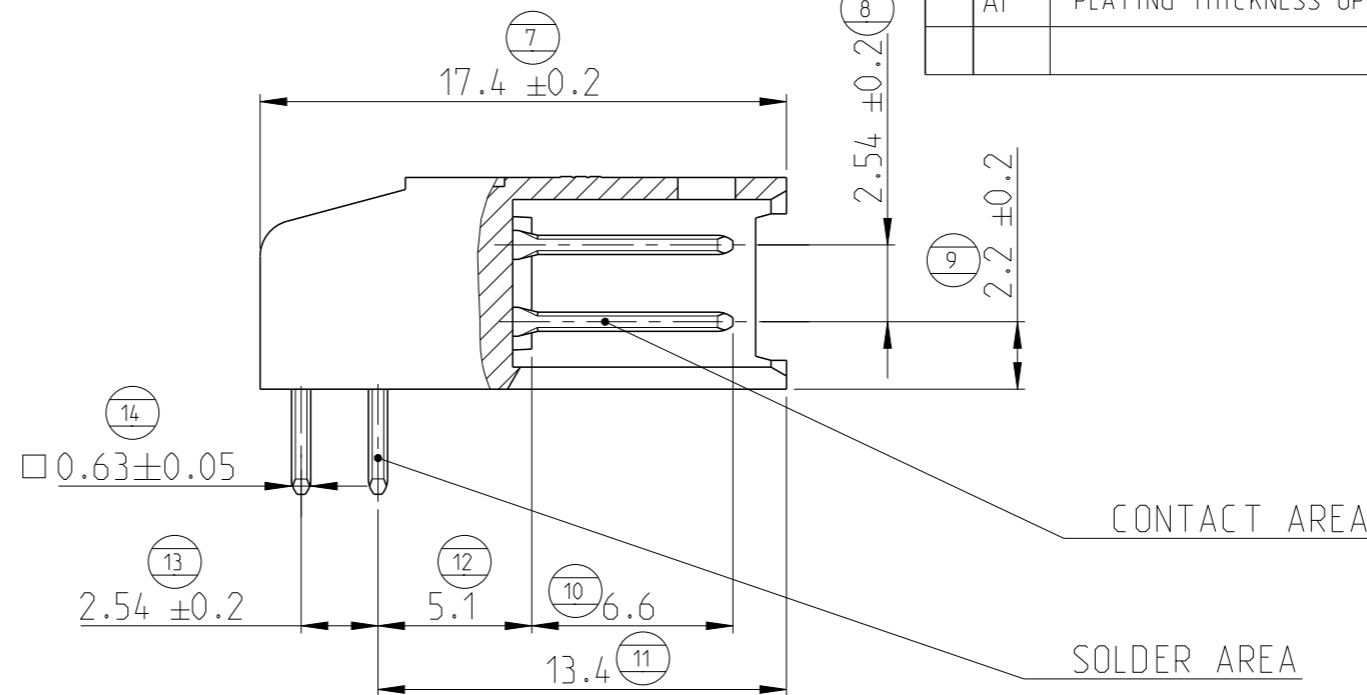
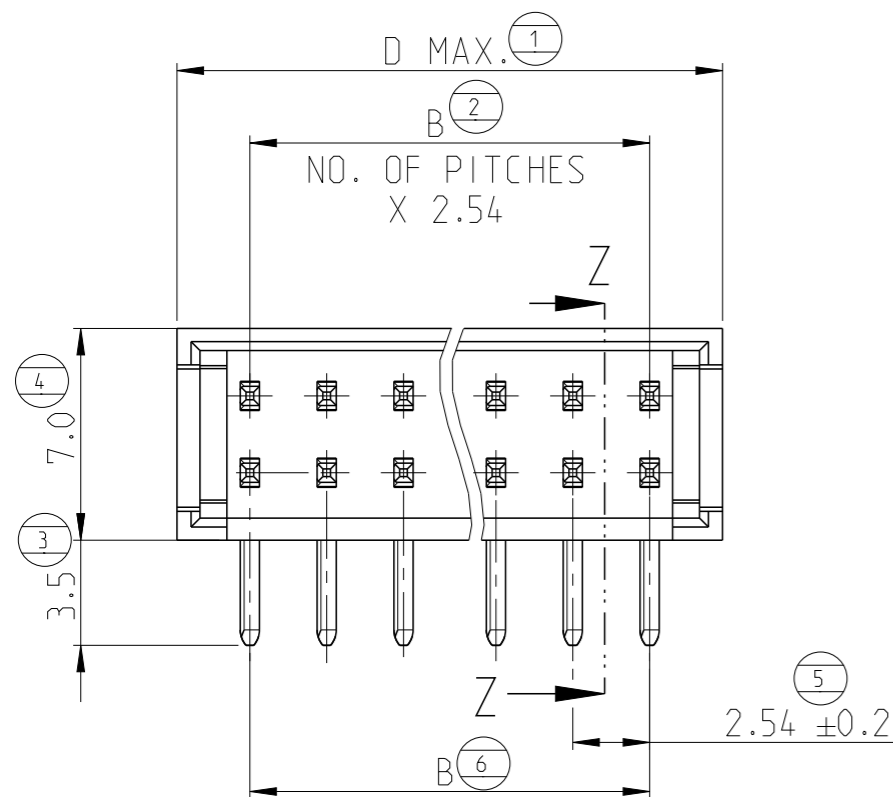
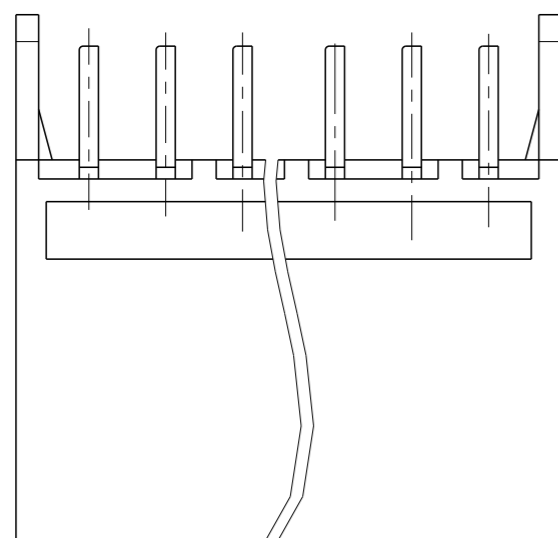


P	LTR	DESCRIPTION	DATE	DWN	APVD
AD		REDRAWN, PLASTIC SUPPLIER CHANGED	11MAY2021	SB	KJK
AE		PLATING CHANGED FROM BRIGHT TO MATTE TIN	06DEC2023	SP	KJK
AF		PLATING THICKNESS OPTIMIZATION	09OCT2024	SN	KJK



3:1

PARTIAL SEC. Z-Z



NOTES:

- △ FINISH: 3-5 μm TIN OVER MIN 1.27 μm NICKEL
- △ FINISH: MIN. 0.28 μm PdNi + 0.1 μm Au Flash IN CONTACT AREA AND 2.5 μm TIN IN SOLDER AREA, OVER MIN 1.27 μm NICKEL.
- △ FINISH: MIN 0.66 μm PdNi + 0.1 μm Au Flash IN CONTACT AREA AND 2.5 μm TIN IN SOLDER AREA, OVER MIN 1.27 μm NICKEL.
- △ MATERIALS:
-HOUSINGS: FLAME RETARDANT THERMOPLASTIC UL94V0, COLOR BLACK.
-TIN AND GOLD PLATED CONTACTS: BRASS

△ OBSOLETE

15.2	10.16	280393-3	284124-1	280393-1	5
58.5	53.34	280393-3	280393-2	280393-1	22
48.3	43.18	281021-3	281021-2	281021-1	18
40.7	35.56	280392-3	280392-2	280392-1	15
33.1	27.94	280522-3	280522-2	280522-1	12
25.4	20.32	280510-3	280510-2	280510-1	9
22.9	17.78	280390-3	280390-2	280390-1	8
17.8	12.70	282790-1	282790-1	282790-1	6
12.7	7.62	280389-3	280389-2	280389-1	4
D	B	PART NUMBER	PART NUMBER	PART NUMBER	NO. POS.

THIS DRAWING IS A CONTROLLED DOCUMENT.		DWN G. CAMPIA 12FEB1990	TE Connectivity		
		CHK R. CANTORE 12FEB1990			
DIMENSIONS: mm		APVD -	NAME AMPMODU II SHROUDED HEADER DUAL ROW, RIGHT ANGLE POST		
TOLERANCES UNLESS OTHERWISE SPECIFIED: ±0.3		PRODUCT SPEC 108-20025	SIZE A3		
0 PLC ± 1 PLC ± 2 PLC ± 3 PLC ± 4 PLC ± ANGLES ±2°		APPLICATION SPEC -	CAGE CODE 00779	DRAWING NO C-280389	RESTRICTED TO -
MATERIAL FINISH		WEIGHT -	SCALE 5:1		
		CUSTOMER DRAWING	SHEET 1 OF 1 REV AF		