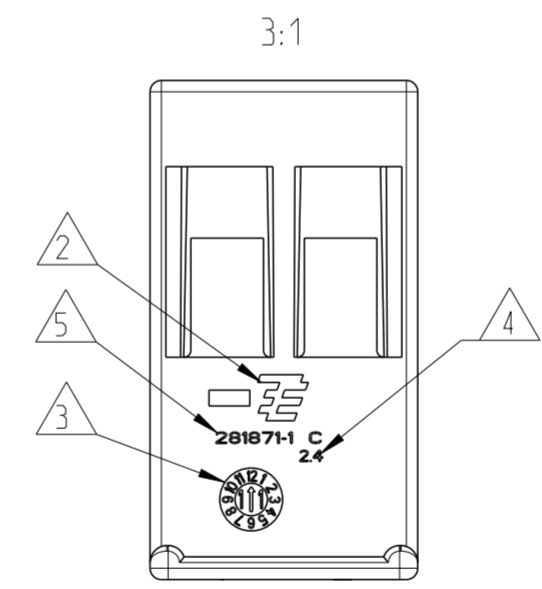
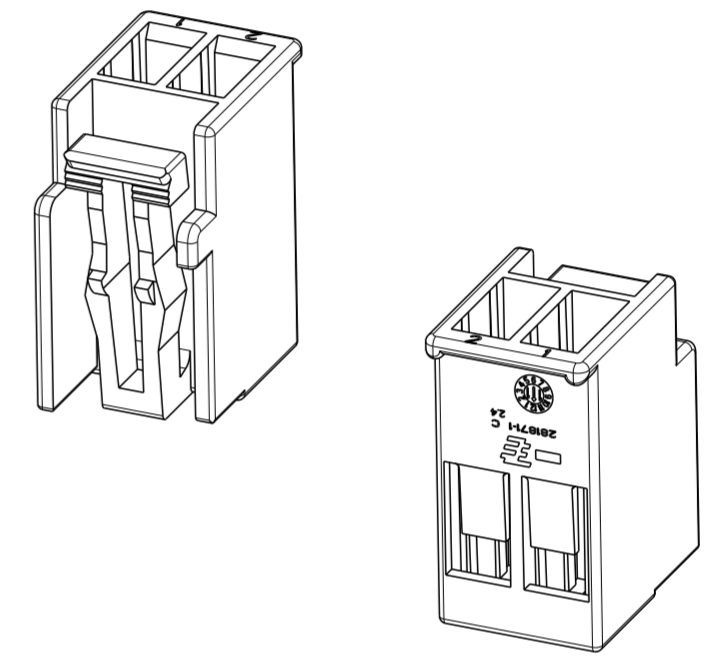
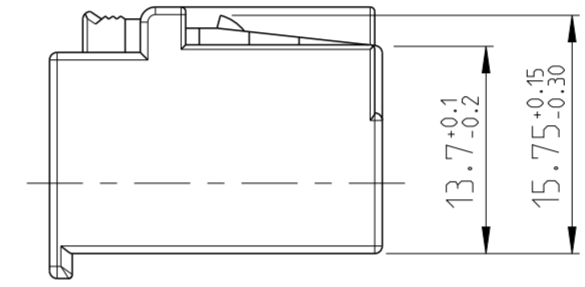
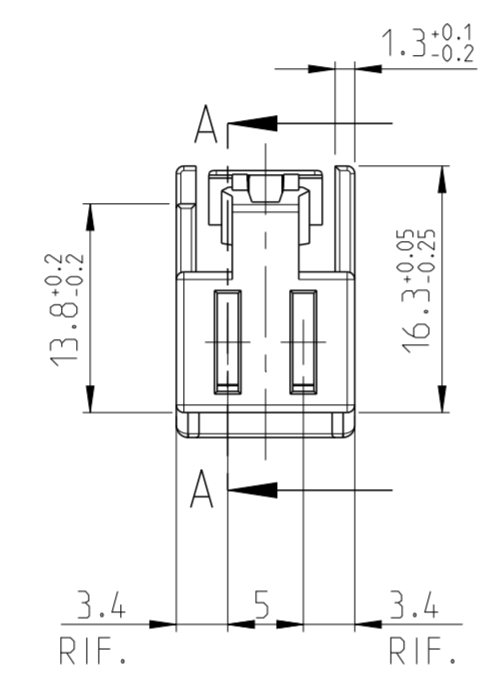
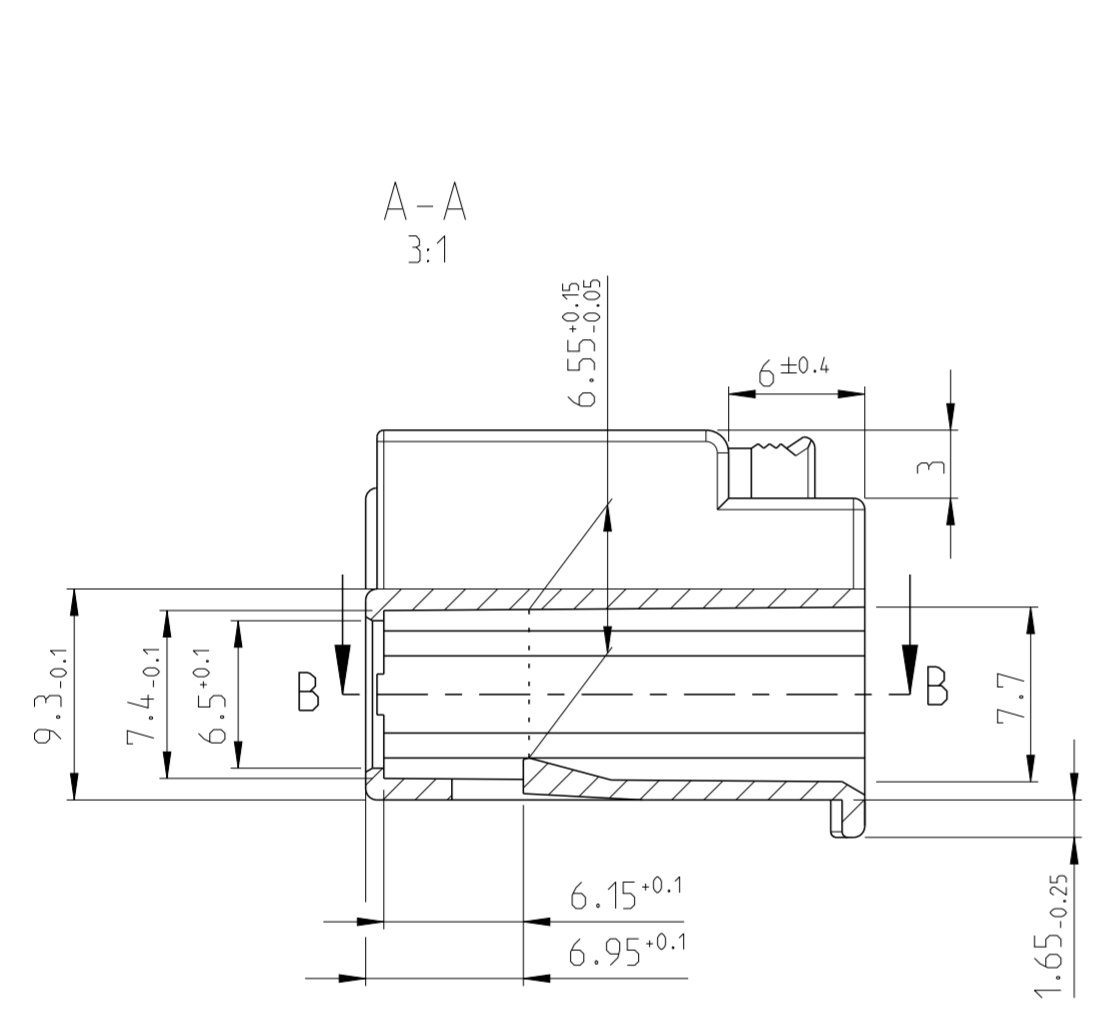
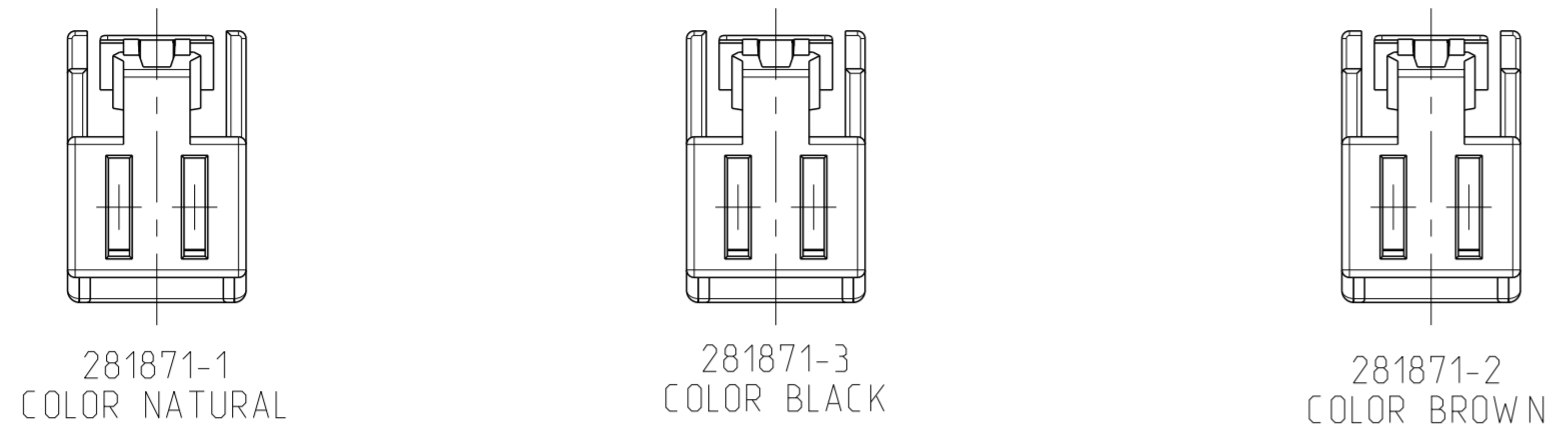


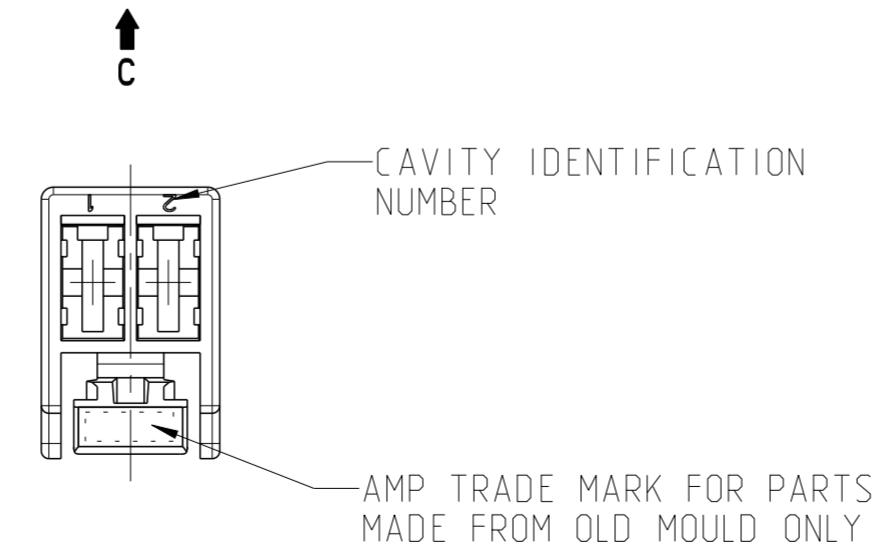
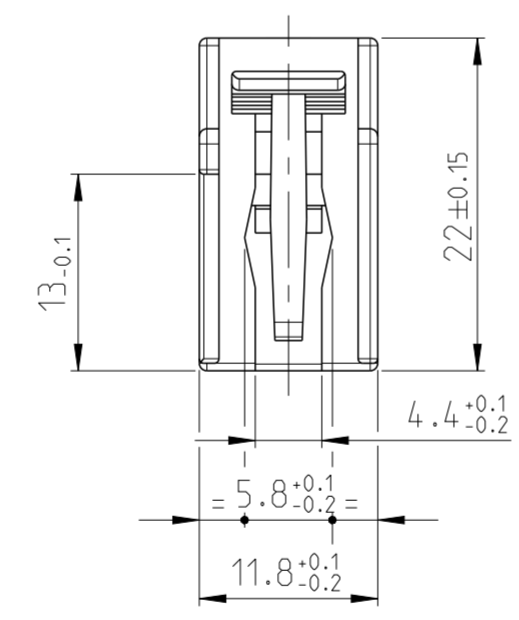
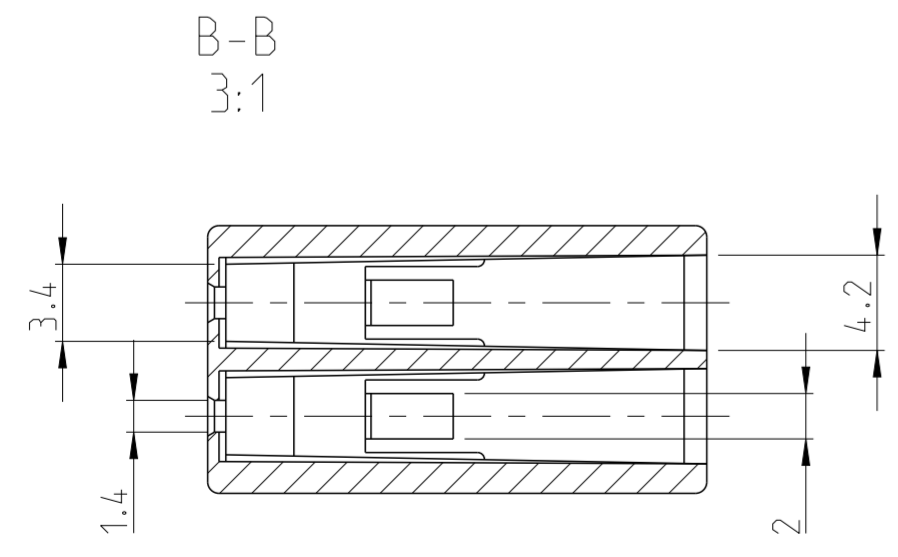
THIS DRAWING IS UNPUBLISHED. RELEASED FOR PUBLICATION 20  
 © COPYRIGHT 20 BY - ALL RIGHTS RESERVED.

LOC	DIST	REVISIONS					
		P	LTR	DESCRIPTION	DATE	DWN	APVD
A1	-	C		FIRST ISSUE	01AUG2012	A.B.	M.G.
		C1		REVISED PER ECO-17-006730	10MAY2017	M.G.	M.G.

CODING TABLE / PART NUMBER - FRONTAL VIEW



- 1 MATERIAL PA66-GF30
- 2 TE CONNECTIVITY TRADEMARK
- 3 DATE CODE
- 4 MOULD / MOULD CAVITY IDENTIFICATION NUMBER
- 5 P/N NUMBER AND REVISION



THIS DRAWING IS A CONTROLLED DOCUMENT.		DWN BASSANO 18JUN1987	 TE Connectivity	NAME		
DIMENSIONS: mm		CHK TARTARI 25JUL1987		5mm. PITCH RECEPTACLE CONN. HOUSING 2 POS.		
TOLERANCES UNLESS OTHERWISE SPECIFIED:		APVD TARTARI 25JUL1987		SIZE	CAGE CODE	DRAWING NO
0 PLC ± 0.3	1 PLC ± 0.1	PRODUCT SPEC 108-20111		A2	00779	C-281871
2 PLC ± 0.05	3 PLC ± -	APPLICATION SPEC -	SCALE	SHEET	RESTRICTED TO	
4 PLC ± -	ANGLES ± 0°30'	FINISH -	2:1	1 OF 1	-	
MATERIAL SEE NOTE		WEIGHT -	CUSTOMER DRAWING		REV C1	