

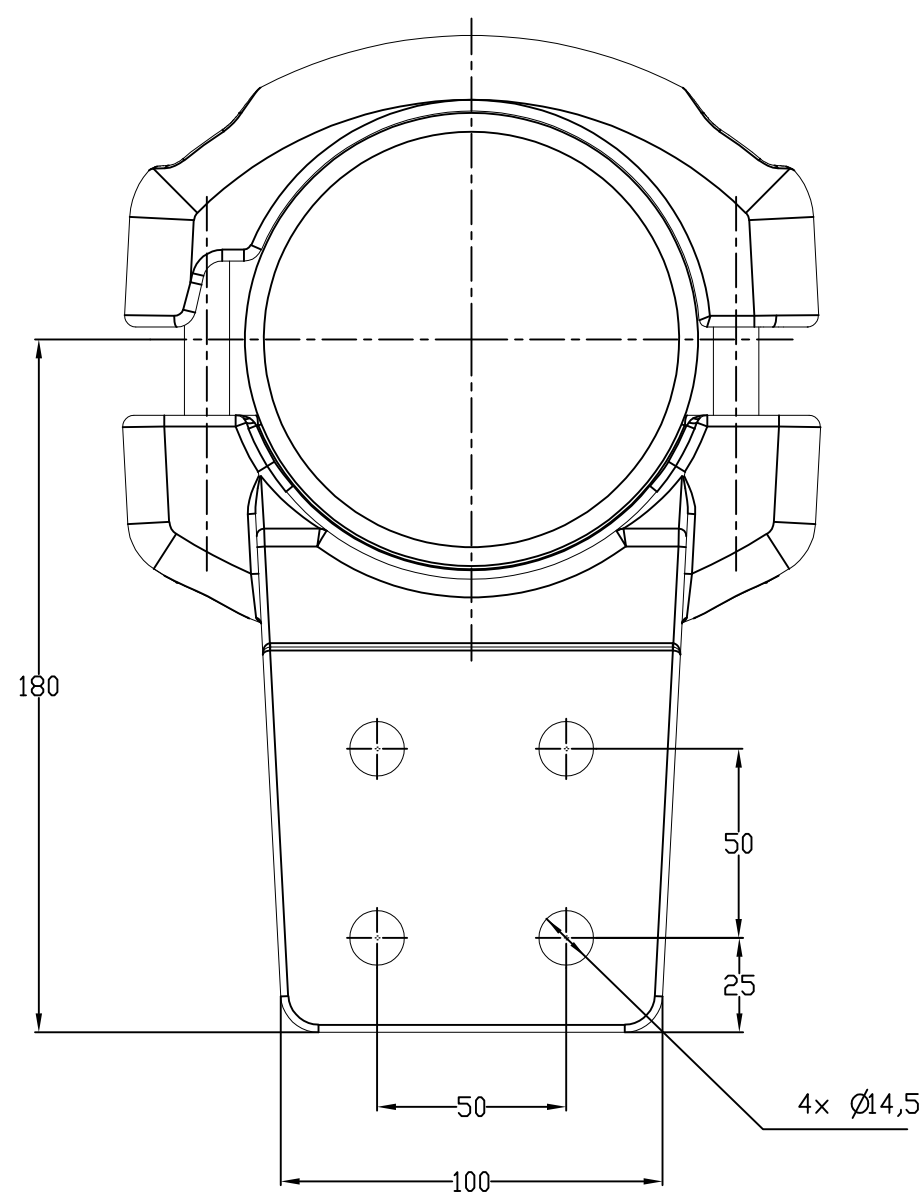
THIS DRAWING IS UNPUBLISHED.
 DIFFUSION RESTREINTE

RELEASED FOR PUBLICATION
 LIBRE A LA DIFFUSION

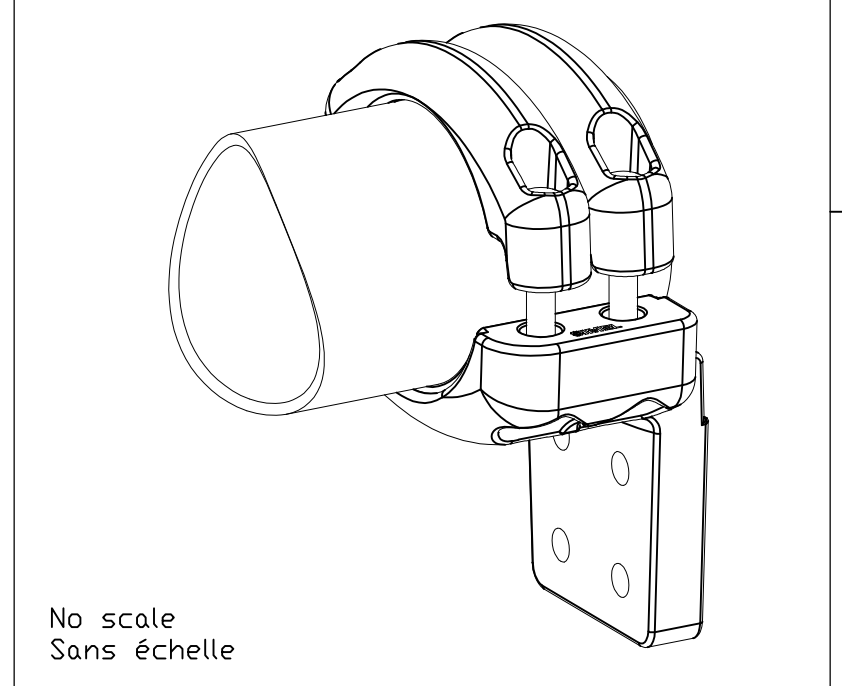
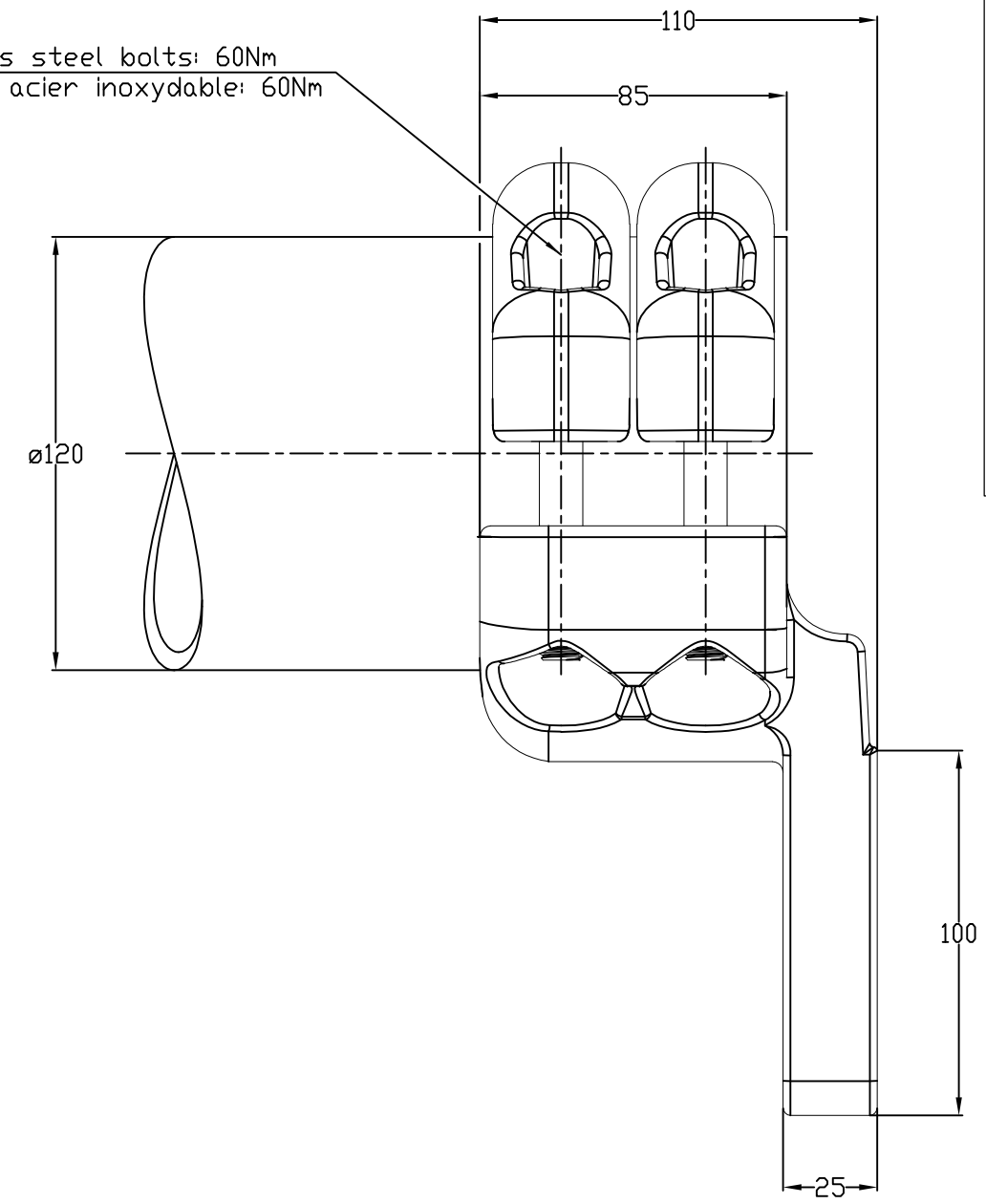
2011

© COPYRIGHT 2011 by Tyco Electronics Corporation
 ALL RIGHTS RESERVED.
 TOUS DROITS RESERVES

LOC	DIST	REVISIONS				
P	LTR REV	DESCRIPTION MODIFICATIONS	DATE	DWN DESS	APVD APPR	
-	-	A	CREATION	02-Apr-14	JG -	
		B	UPDATED DRAWING	16-Feb-15	GL -	
		C	UPDATED DRAWING	20-May-15	PG -	



M12 Stainless steel bolts: 60Nm
 Boulons M12 acier inoxydable: 60Nm



ITEM:.....

THIS DRAWING IS A CONTROLLED DOCUMENT. <small>CE PLAN EST UN DOCUMENT CONTROLÉ PAR TYCO ELECTRONICS CORPORATION IL EST SUSCEPTIBLE D'ÊTRE RÉVISÉ. POUR OBTENIR LA DERNIÈRE RÉVISION, CONTACTER LE SERVICE TECHNIQUE DE TYCO ELECTRONICS SIMEL SAS, 21220 GEVREY-CHAMBERTIN, FRANCE.</small>		DWN /DESSINE GODARD	02-Apr-14	TE connectivity SIMEL PRODUCTS	
DIMENSIONS: mm		CHK/VERIFIE -	APVD/APPROUVE -		
TOLERANCES UNLESS OTHERWISE SPECIFIED PER TOLERANCES NON SPECIFIEES SELON : -		PRODUCT SPEC SPEC. PRODUIT 108-69090-001	APPLICATION SPEC SPEC. APPLICATION -	SIZE FORMAT A3	CAGE CODE 00779
MATERIAL MATIERE -		FINISH FINITION -	APPROX. WEIGHT MASSE APPROX. 3.1 kg	DRAWING NO No PLAN C-2818854	RESTRICTED TO RESERVE A -
CUSTOMER DRAWING /PLAN CLIENT			UNIQUEMENT POUR REFERENCE	SCALE ECHELLE 1/2	SHEET FEUILLE 1 OF DE 1