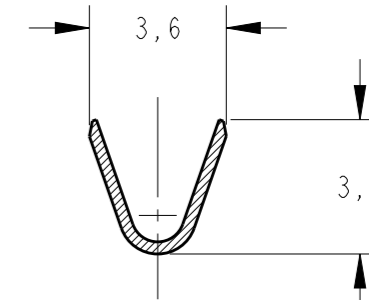
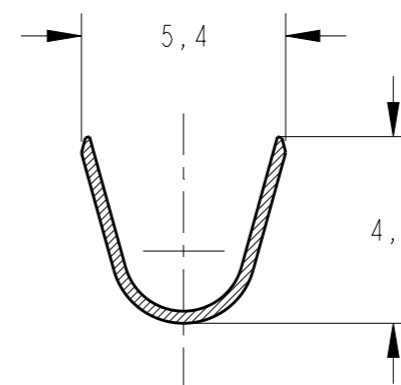
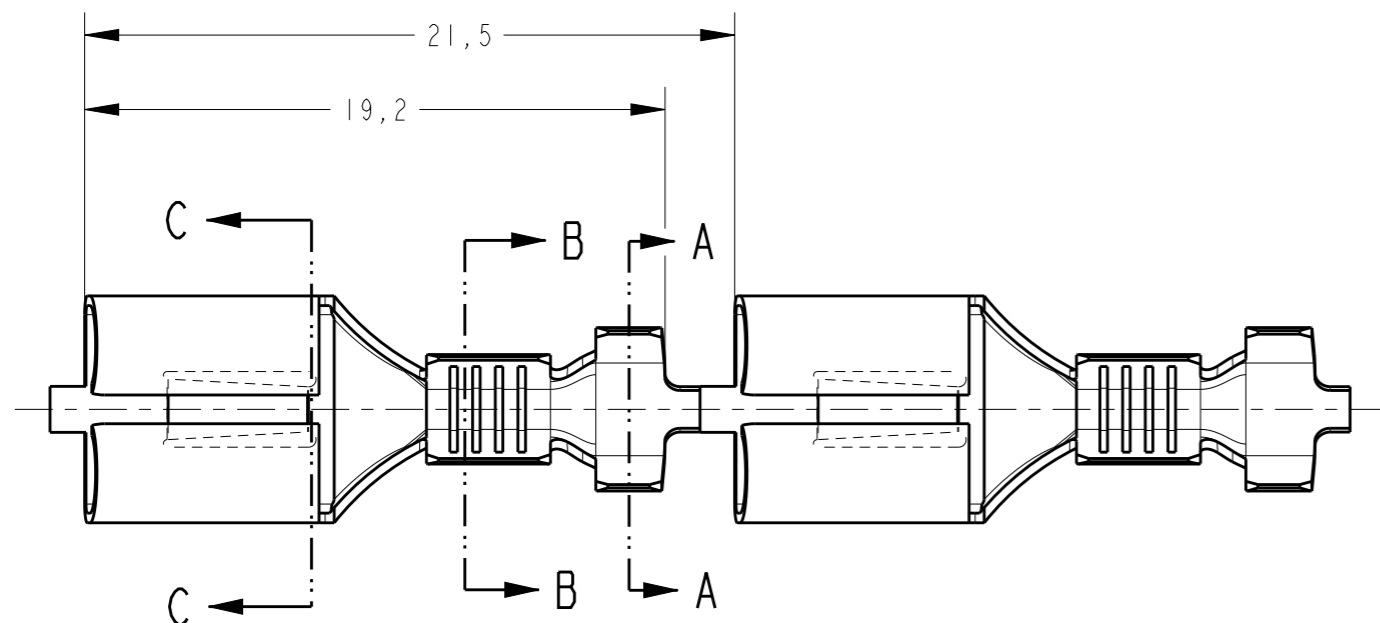


creo
 Creo Parametric 2.0
**DO NOT REVISE
 EXCEPT BY CAD**

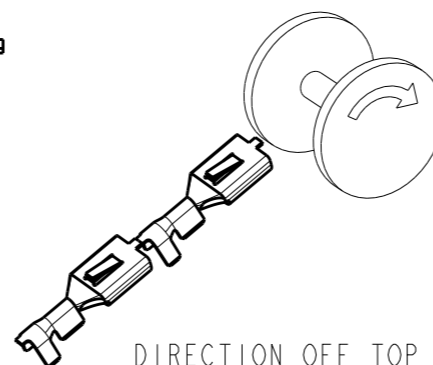
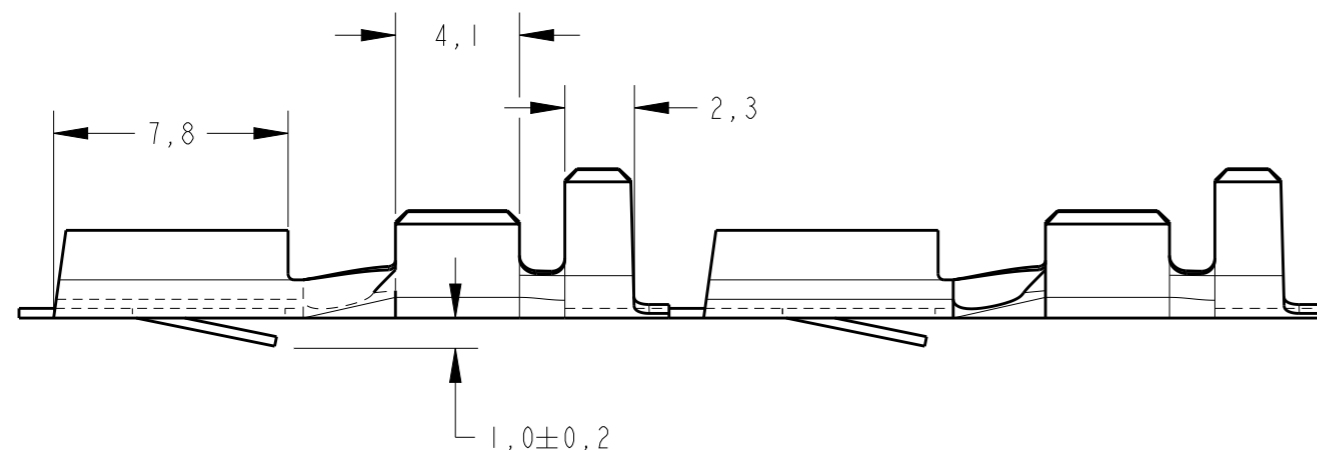
REVISIONS

P	LTR	DESCRIPTION	DATE	DWN	APVD
B		REVISED DRAWING ECO-15-006350	27APR2015	NCL	GB
C		REVISED DRAWING ECO-15-009407	24JUN2015	NCL	GB
D		REVISED DRAWING ECO-15-012070	27AUG2015	NCL	GB
DI		REVISED DRAWING ECO-17-003421	15MAR2017	GB	DO



SECTION A-A
SCALE 5:1

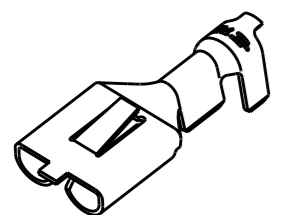
SECTION B-B
SCALE 5:1



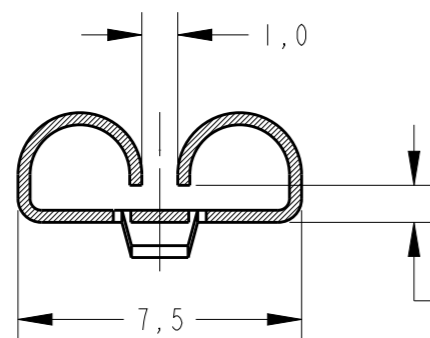
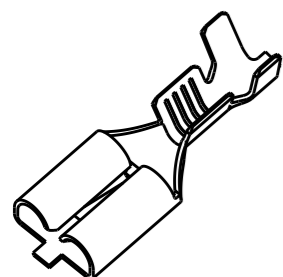
DIRECTION OFF TOP OF REEL
SCALE 1:1

1- SEPARAR COM PAPEL ENTRE CAMADAS.
WITH SEPARATE PAPER REEL.

2- COM ÓLEO LUBRIFICANTE.
WITH LUBRICANT OIL.



PERSPECTIVE VIEW
SCALE 2:1



SECTION C-C
SCALE 5:1

THIS DIMENSION IS
CONTROLLED WITH
MATING FORCE.

INS. RANGE	WIRE RANGE
∅2,2-3,4mm	0,5-2,0mm ²

FINISH

LATÃO / BRASS

2819183 -1

MATERIAL

PART NUMBER

THIS DRAWING IS A CONTROLLED DOCUMENT.

DWN	ALTERO	13AUG2014
CHK	JRGOLDSCHMIDT	13AUG2014
APVD	G. BONUCCI	13AUG2014

NAME
-
TERMINAL FASTIN-FASTON.250 RECEPT



DIMENSIONS:	TOLERANCES UNLESS OTHERWISE SPECIFIED:
mm	
0 PLC	±-
1 PLC	±0,2
2 PLC	±-
3 PLC	±-
4 PLC	±-
ANGLES	±1°

PRODUCT SPEC	-
APPLICATION SPEC	-
WEIGHT	0,60 GR

SIZE	CAGE CODE	DRAWING NO	RESTRICTED TO
A3	00779	C-2819183	-

MATERIAL SEE TABLE FINISH SEE TABLE

Customer Drawing SCALE - SHEET 1 OF 1 REV DI