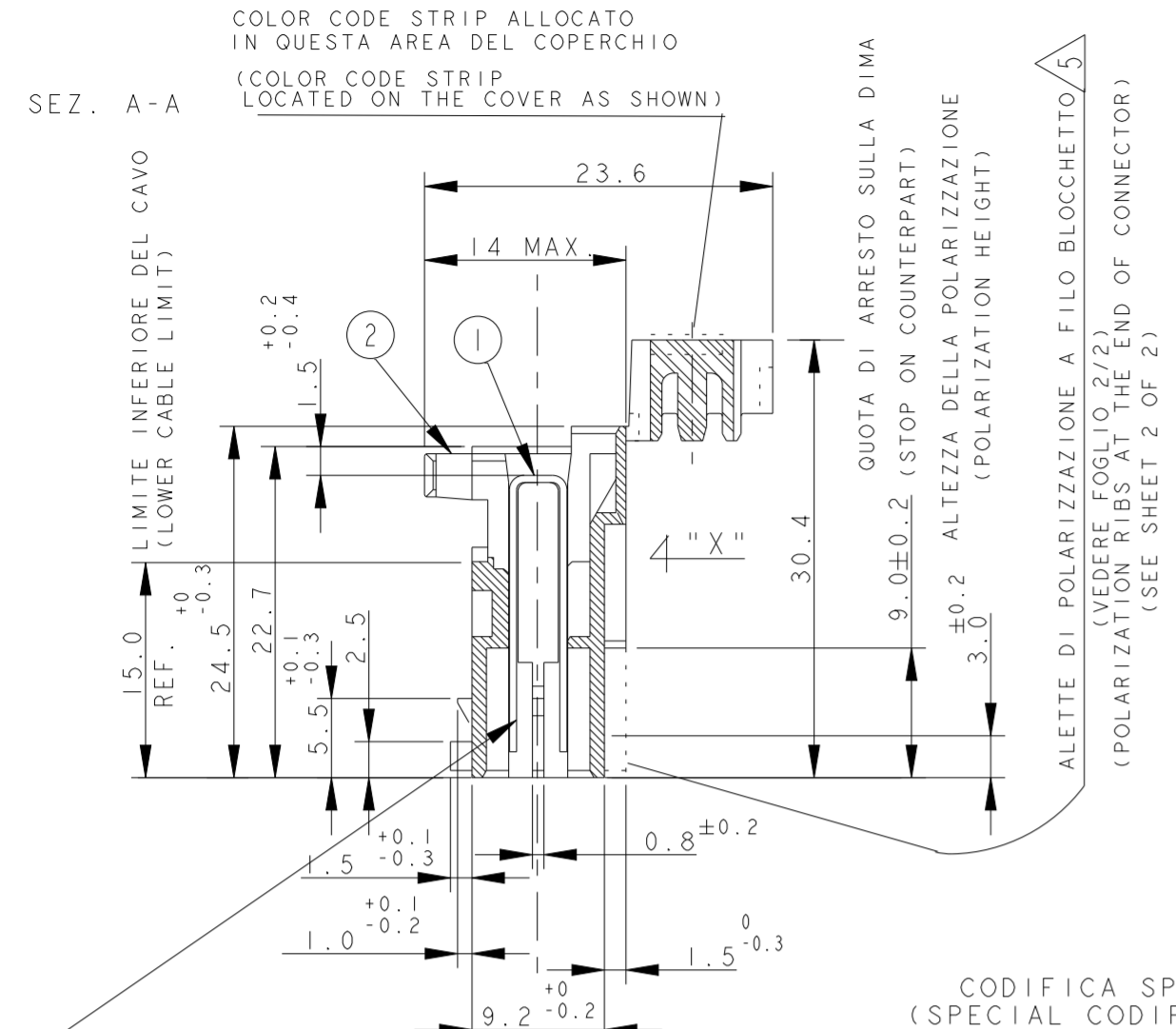
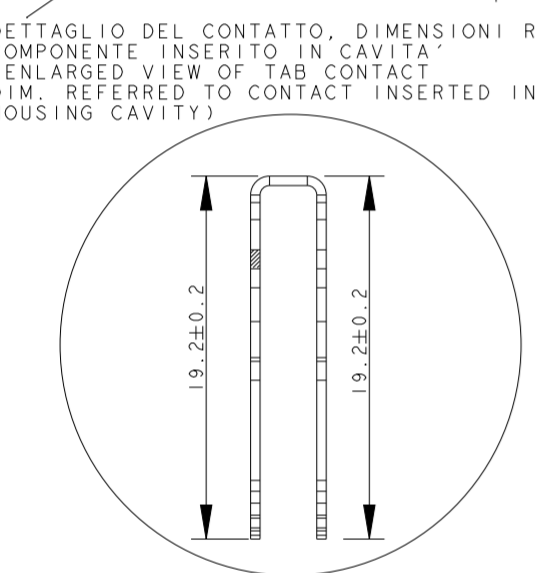
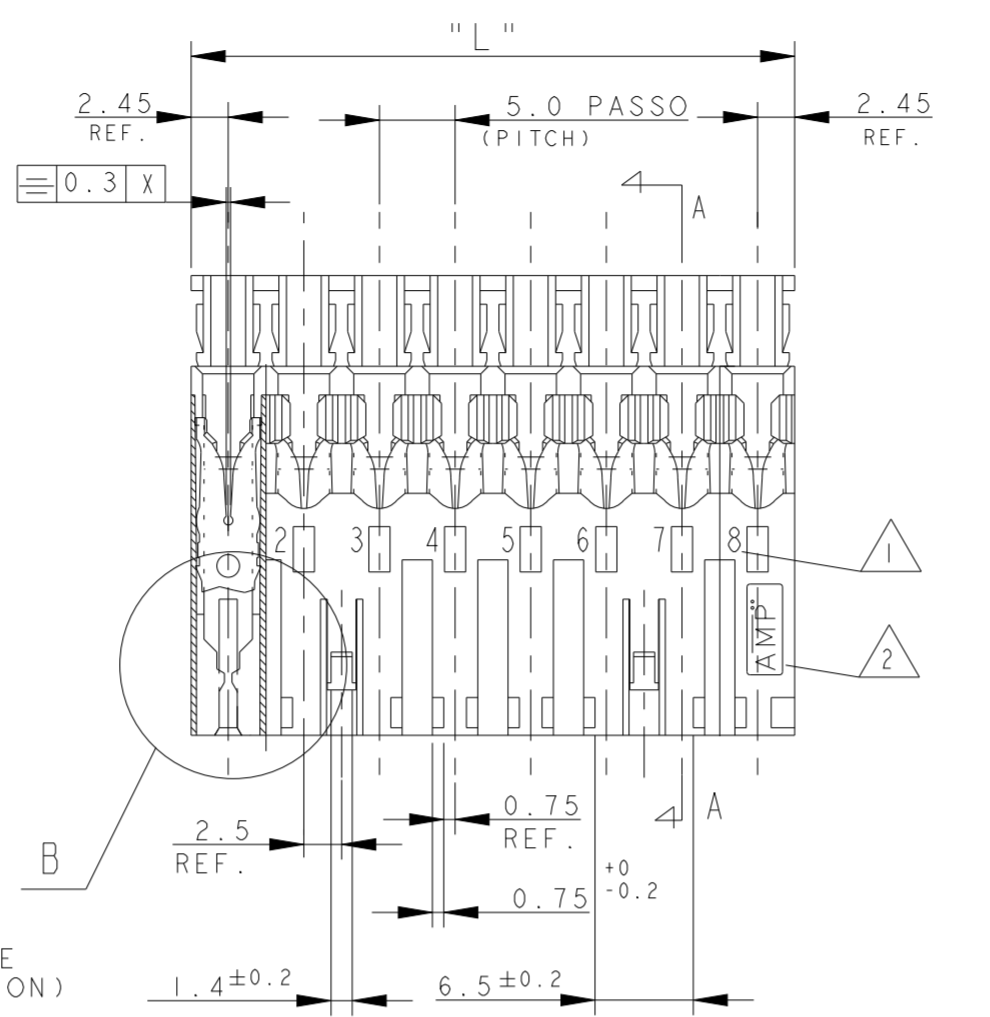


THIS DRAWING IS UNPUBLISHED. RELEASED FOR PUBLICATION  
 © COPYRIGHT 2011 ALL RIGHTS RESERVED.

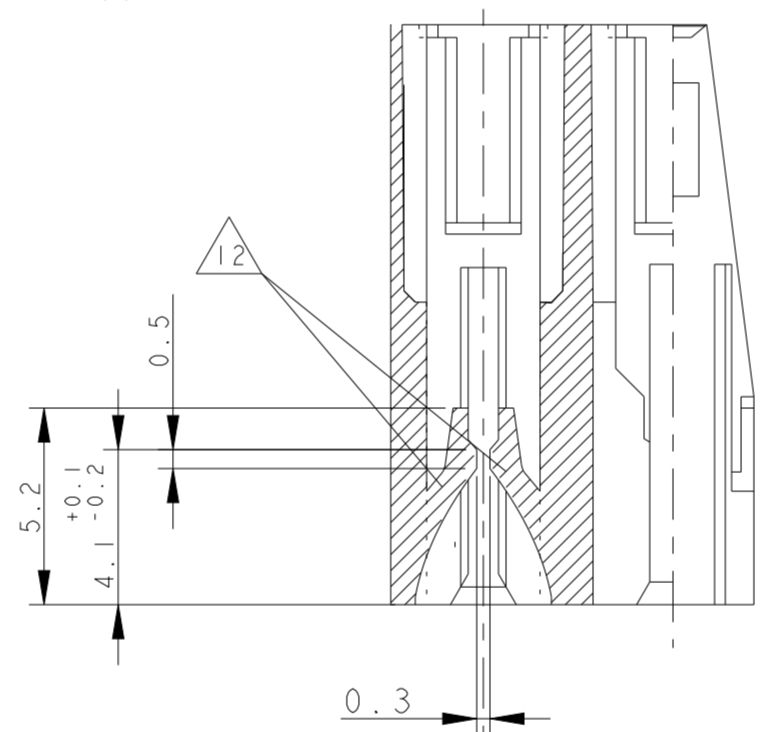
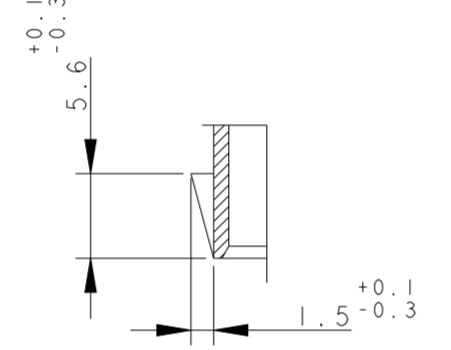
LOC		DIST		REVISIONS			
P	LTR	DESCRIPTION	DATE	DWN	APVD		
AC3	ECR-24-207086		09MAY2024	SP	FL		
AC4	ECR-24-216212		30JUL2024	DC	FL		
AC5	ECN-24-281324		26AUG2024	TL	FL		
AC6	ECR-24-230371		31DEC2024	DC	FL		



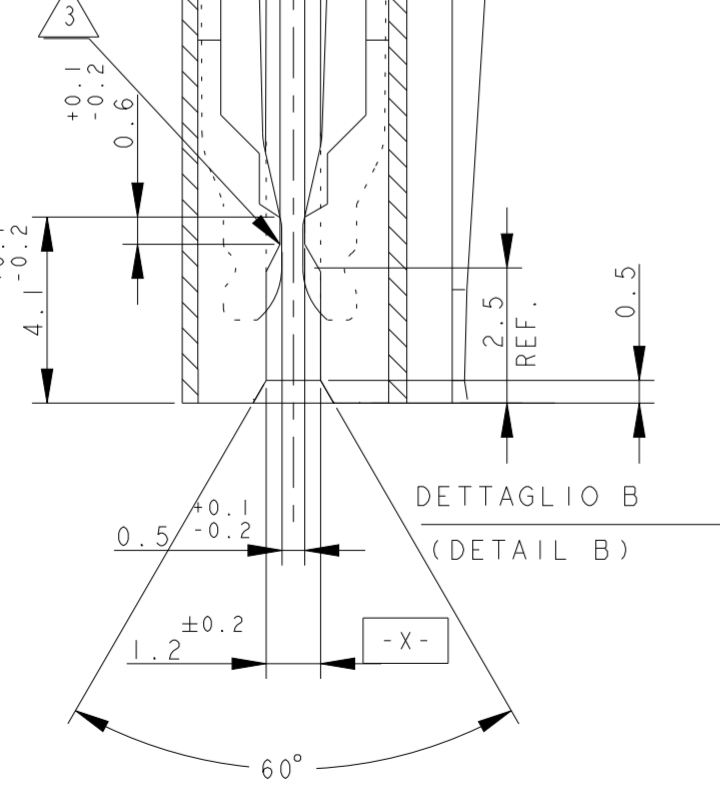
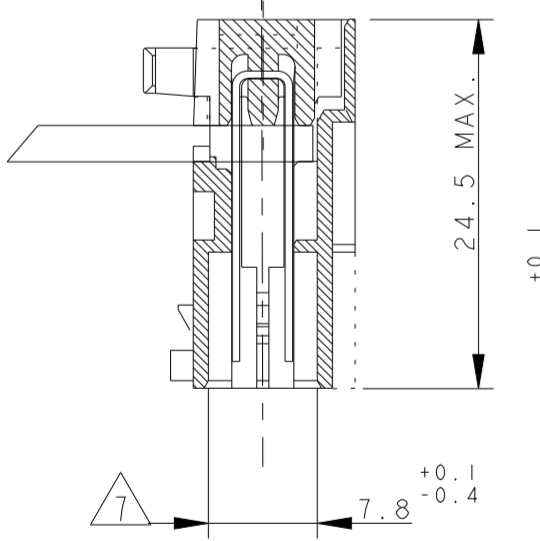
VISTE SOLO PER RIFERIMENTO  
 VIEWS ONLY FOR REFERENCE



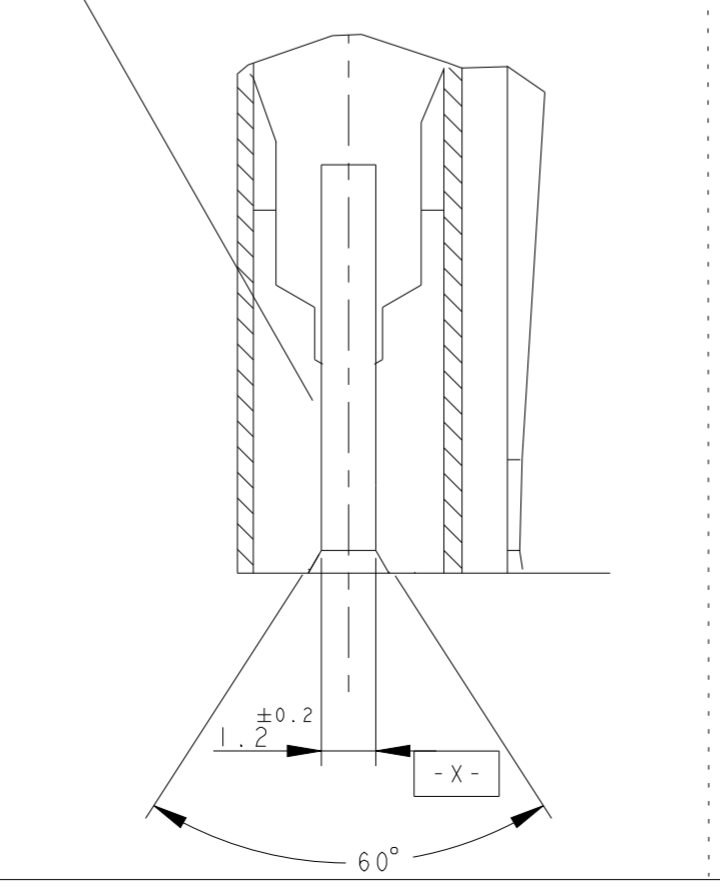
CODIFICA SPECIALE (SPECIAL CODIFICATION)



CONNETTORE COMPLETO DI CAVO (TERMINATED CONNECTOR)

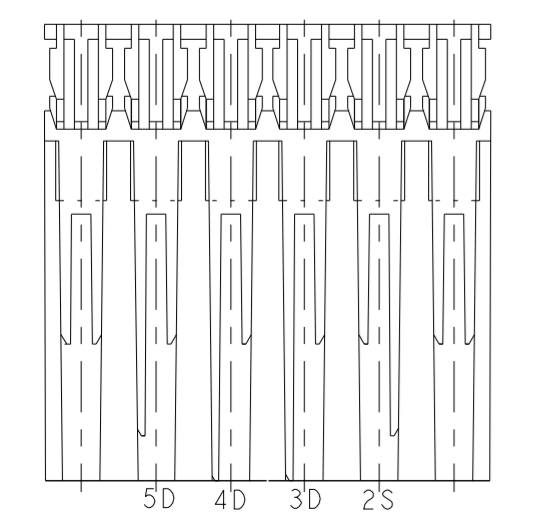


PN X-282002-8  
 PN I-2293382-2  
 (DETAIL "B" FOR CAVITY 1 & 2)



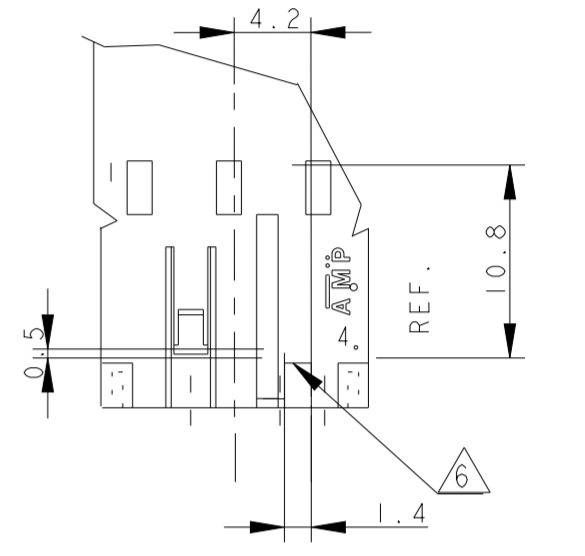
DETAIL PN/s:  
 1-282006-3  
 2-282006-3  
 3-282006-3

POLARIZATION KEYS (VIEW FROM "X")



- NOTE/NOTES:
- 1 NUMERI DI IDENTIFICAZIONE CAVITÀ (CIRCUIT IDENTIFICATION)
  - 2 MARCHIO DI FABBRICA LIBERA POSIZIONE (AMP LOGO FREE POSITION)
  - 3 RETENTION TOOTH IS REQUESTED FOR THE 2 AND 3 POS. ONLY
  - 4 PERTE PRELIMINARE, NON ANCORA IN PRODUZIONE (PRELIMINARY PART, NOT YET RELEASED FOR PRODUCTION)
  - 5 PER QUESTI P/N LA POLARIZZAZIONE POSTERIORE DEVE INTENDERSI COMPLETA, A FINE BLOCCETTO (per la rappresentazione vedere foglio 1/2) (FOR THE INDICATE P/N THE POLARIZATION MUST BE AT THE END OF CONNECTOR (see sheet 2 of 2))
  - 6 CODIFICA CON DIFFERENTE DIMENSIONE (CODIFICATION WITH DIFFERENT DIMENSION)
  - 7 BECOMES 6.5 FOR BOTH CAVITIES ON THE 2 POS., ON CAVITY N.1 AND N.3 ON THE 3 POS. ON CAVITY N.1 ON THE 4 POS. CONNECTOR AND ON THE 5 POS. CONNECTOR 2-2293382-5 OPTIONAL ON PARTS 6-2293382-2, 6-282002-0, 2-2293382-5. NOT APPLICABLE ON PARTS 4-282002-1, 3-282002-5, 1-282002-8, 3-282002-4, 4-282003-1, 1-2293382-2.
  - 8 INCLUDE LA POLARIZZAZIONE DOVE E' ESISTENTE (INCLUDING POLARIZATION KEY, WHEN EXISTING)
  - 9 DETAIL FOR PN X-282002-8 AND PN I-2293382-2, SPECIAL VERSION, SEE ALSO NOTE 3
  - 10 P/N NON RILASCIATO PER LA PRODUZIONE (P/N NOT YET RELEASED FOR PRODUCTION)
  - 11 ---
  - 12 GEOMETRIA ALTERNATIVA DEL DENTINO DI AGGANCIAMENTO VEDI NOTA 3 PER ALTRI DETTAGLI (ALTERNATIVE SHAPE FOR RETENTION TOOTH, SEE NOTE 3 FOR ADDITIONAL DETAILS)
  - 13 STATO DI FORNITURA: CONFEZIONAMENTO IN "VASSOI + SCATOLA" (PACKAGING: "ON TRAY PLUS CARTON BOX")
  - 14 CONFEZIONAMENTO IN BOBINA OBSOLETO (PACKAGING: ON REEL OBSOLETE) PASSO 11.4-12.4 (PITCH)
  - 15 OBSOLETE PARTS: OBSOLETE CIS STREAMLINING PER D.RENAUD/D.SINISI
  - 16 THE DESIRED POLARIZATION CAN BE OBTAINED BY THE TERMINATION MACHINE
  - 17 EXCEPTION MADE FOR PN FOR THIS PN CAVITY 1 IS WITHOUT RETENTION TOOTH AND HAS THE SAME DESIGN AS THE CAVITY N.2
  - 18 OBSOLETE PART
  - 19 WITHOUT 2 WIRE RETENTION HOOKS ON 2 END, SEE SHEET 8
  - 20 SPECIAL VERSION WITH WIRE RETENTION HOOK ON COVER, SPECIAL MODIFICATION ON TERMINATION MACHINE IS A MUST.

DETAIL FOR PN 0-282233-2 ONLY



2	BLOCCETTO (HOUSING)	NATURALE (NATURAL)	PA 6.6 CARICATO VETRO (POLIAMIDE 6.6 GLASSFIBER FILLED)
1	CONTATTO (CONTACT)	STAGNATO (TIN-PLATED)	OTTONE (BRASS)
ITEM	DENOMINAZIONE (DESCRIPTION)	FINITURA / COLORE (FINISH / COLOUR)	MATERIALE (MATERIAL)
			DIAM. ISOLANTE (INS. DIA. RANGE) 3,0 max. RANGO FILO (WIRE RANGE) 0.5-1.5mm2

THIS DRAWING IS A CONTROLLED DOCUMENT.

DIMENSIONS: mm	TOLERANCES UNLESS OTHERWISE SPECIFIED: 0.3	DWN G. ENDRIZZI 23JUL1995	TE Connectivity MONO-SHAPE MK1 TAB CONNECTORS 2-10 POS.
		CHK G. TURCO 23JUL1995	
		APVD G. TURCO 23JUL1995	
		NAME G. TURCO	
MATERIAL SEE TABLE	FINISH SEE TABLE	PRODUCT SPEC 108-20065-1, 108-20065-2	RESTRICTED TO
		APPLICATION SPEC 114-20016, 114-20016-1	SIZE A2
		WEIGHT -	CAGE CODE 07779
		Customer Drawing	DRAWING NO. C-282002
		SCALE 2:1	SHEET 1 OF 8
			REV AC6

4

3

2

1

THIS DRAWING IS UNPUBLISHED. RELEASED FOR PUBLICATION  
 © COPYRIGHT 2011 ALL RIGHTS RESERVED.

LOC	DIST	REVISIONS			
P	LTR	DESCRIPTION	DATE	DWN	APVD
-	-	SEE SHEET 1			
		VISTE SOLO PER RIFERIMENTO			
		VIEWS ONLY FOR REFERENCE			

NUMERO DI VIE	CONFIGURAZIONE (Vista connettore dall'alto) ①	TE PART NUMBER ASSY CONN.				POSIZIONE POLARIZ. (LATO POSTERIORE)	POSIZIONE AGGANCIO (LATO ANTERIORE)	POSIZIONE CODIFICA SPECIALE (LATO ANTERIORE)	L +0.2 L -0.3 (mm) 8	NOTE MARCHIATURA CON BANDA COLORATA	POSSIBILE RAST 5 POLARIZ.
		VERSIONE PEZZI IN VASSOIO	VERSIONE PEZZI SCIOLTI	TRAY PACKAGING VERSION	PART REV						
NO OF POS	CONFIGURATION (View from top side) ①	TRAY PACKAGING VERSION	PART REV	LOOSE PIECES PACKAGING VERSION	PART REV	POLARIZ. POSITION (BACK SIDE)	LOCKING POSITION (FRONT SIDE)	SPECIAL COD. POSITION (FRONT SIDE)	L +0.2 L -0.3 (mm)	NOTE STRIP COLOUR	POSSIBLE RAST 5 POLARIZ.
2		4-282002-1	AA	-	-	2S 5	1-2	-	9.9	NERO BLACK	02-C
2		1-282002-1	V	2-282002-1	V	2S 5	1-2	-	9.9	NERO BLACK	02-C
2		1-282002-2	V	2-282002-2	V	1S	1-2	-	9.9	GRIGIO GREY	02-B 02-E 02-F
2		1-282002-3	V	<del>2-282002-3</del>	V	2D	1-2	-	9.9	ROSSO RED	02-L
2		1-282002-4	V	<del>2-282002-4</del>	V	1D 5 2S 5	1-2	-	9.9	BLU BLUE	02-A
2		1-282002-5	V	2-282002-5	V	1D	1-2	-	9.9	NERO BLACK	02-Q
2		3-282002-5	AA	-	-	1D	1-2	-	9.9	NERO BLACK	02-Q
2		1-282002-6	V	2-282002-6	V	-	1-2	-	9.9	NERO BLACK	-
2		1-282002-7	V	<del>2-282002-7</del>	V	-	1-2	-	9.9	-	-
2		1-282002-8	V	<del>2-282002-8</del>	V	1S 2D	1-2	-	9.9	VERDE GREEN	02-B 02-E 02-F
2		2-282002-9	I	-	-	1D 2D	1-2	-	9.9	-	-
2		3-282002-0	I	-	-	1S 1D	1-2	-	9.9	-	-
2		3-282002-4	AA	-	-	1D 5 2S 5	1-2	-	9.9	-	02-A
2		5-282002-2	A	-	-	1S 2D	1-2	-	9.9	YELLOW	02-B 02-E 02-F
2		6-282002-0	AA	-	-	1S 5 2S 5	1-2	-	9.9	RED	-

LEGENDA  
(DESCRIPTION)

① AMP MONO-SHAPE, TAB CONNECTORS (ESEMPIO DI CONFIGURAZIONE) (EXAMPLE OF CONFIGURATION)

THIS DRAWING IS A CONTROLLED DOCUMENT.		DWN G. ENDRIZZI 23 JUL 1995	 TE Connectivity	NAME MONO-SHAPE MK1 TAB CONNECTORS 2-10 POS.		
DIMENSIONS: mm		CHK G. TURCO 23 JUL 1995		APVD G. TURCO 23 JUL 1995		RESTRICTED TO
TOLERANCES UNLESS OTHERWISE SPECIFIED: 0 PLC ± 1 PLC ± 2 PLC ± 3 PLC ± 4 PLC ± ANGLES ±		PRODUCT SPEC 108-20065-1, 108-20065-2		SIZE 114-20016, 114-20016-1	CAGE CODE A200779	
MATERIAL SEE TABLE		APPLICATION SPEC 114-20016, 114-20016-1		DRAWING NO C-282002	REV AC6	
SEE TABLE		Customer Drawing		SCALE	SHEET 2 OF 8	

1471-9 (3/11)

THIS DRAWING IS UNPUBLISHED. RELEASED FOR PUBLICATION  
 © COPYRIGHT 2011 ALL RIGHTS RESERVED.

LOC		DIST		REVISIONS			
P	LTR	DESCRIPTION	DATE	DWN	APVD		
		SEE SHEET 1					

VISTE SOLO PER RIFERIMENTO  
 VIEWS ONLY FOR REFERENCE

NUMERO DI VIE	CONFIGURAZIONE (Vista connettore dall'alto)	TE PART NUMBER ASSY CONN.		POSIZIONE POLARIZ. (LATO POSTERIORE)	POSIZIONE AGGANCIO (LATO ANTERIORE)	POSIZIONE CODIFICA SPECIALE (LATO ANTERIORE)	L +0.2 -0.3 (mm)	NOTE MARCHIATURA CON BANDA COLORATA	POSSIBLE RAST 5 POLARIZ.	
		VERSIONE PEZZI IN VASSOIO	VERSIONE PEZZI SCIOLTI							
NO OF POS	CONFIGURATION (View from top side)	TRAY PACKAGING VERSION	PART REV	LOOSE PIECES PACKAGING VERSION	PART REV	POLARIZ. POSITION (BACK SIDE)	LOCKING POSITION (FRONT SIDE)	SPECIAL COD. POSITION (FRONT SIDE)	NOTE STRIP COLOUR	POSSIBLE RAST 5 POLARIZ.
4		1-282004-1	V	2-282004-1	V	1D	1-2	2D	GRIGIO GREY	04-A
4		1-282004-2	V	2-282004-2	V	3D	2-3	-	NERO BLACK	04-D
4		1-282004-3	V	2-282004-3	V	1D	1-2	2D	ROSSO RED	04-A
4		1-282004-4	S	-	-	3D	1-2	-	BLU BLUE	-
4		3-282004-4	AA	-	-	4D	3-4	-	-	04-A
4		4-282004-4	I	-	-	1S	1-2	-	-	-
4		4-282004-4	I	-	-	4D	3-4	-	-	-
5		1-282005-1	V	2-282005-1	V	4D	4-5	-	ROSSO RED	-
5		1-284545-1	Z	-	-	2S	4-5	-	ROSSO RED	-
5		1-284545-2	A	-	-	1S	-	3D	-	-
5		1-284545-3	A	-	-	5D	3-4	-	BLU BLUE	-
5		1-293003-5	Z	-	-	1S	1-2	-	-	-
5		1-293003-5	Z	-	-	5D	3-4	-	NERO BLACK	-
6		1-282006-2	V	2-282006-2	V	2S	2-3	-	VIOLA VIOLET	-
6		1-282006-3	V	2-282006-3	V	5D	4-5	-	-	-
6		2-282006-4	V	-	-	4D - 5D	-	5S	NERO BLACK	-
6		1-284745-1	Z	-	-	3D	-	-	-	-
6		1-284745-2	I	-	-	5D	4-5	-	ROSSO RED	-
6		1-284745-2	I	-	-	6D	-	4D	RED	-
6		1-284745-3	AA	-	-	5D	3-4	-	VIOLET	-
6		1-284745-4	AA	-	-	1S	2-3	-	ORANGE	-
7		1-282007-1	V	2-282007-1	V	1D	1-2	3S	-	-
7		2-282007-2	V	-	-	5D	5-6	-	-	-
7		2-282007-2	V	-	-	4D	-	6S	VIOLA VIOLET	-
7		2-282007-3	I	-	-	6D	-	-	-	-
7		3-282007-2	AA	-	-	1S - 2S - 2D 3S - 3D - 4D 5S - 6S - 6D 7S - 7D	1-2	5S	-	-
7		1-284397-1	Z	-	-	-	1-2	-	NERO BLACK	-
7		1-293004-7	Z	-	-	-	5-6	-	ROSSO RED	-
7		1-293004-7	I	-	-	-	1-2	-	GRIGIO GREY	-
7		2-293004-7	I	-	-	-	5-6	-	-	-
8		0-284085-1	V	2-284085-1	V	2D - 6S	-	4S	-	-
8		0-284085-2	V	2-284085-2	V	4D - 6D	2-3	-	VIOLA VIOLET	-

### LEGENDA (DESCRIPTION)

① AMP MONO-SHAPE, TAB CONNECTORS (ESEMPIO DI CONFIGURAZIONE) (EXAMPLE OF CONFIGURATION)

AGGANCIO (LOCKING LANCE)  
 CODIFICA (CODIFICATION)  
 POLARIZZAZIONE (POLARIZATION)  
 CODIFICA SPECIALE (SPECIAL CODIFICATION)

THIS DRAWING IS A CONTROLLED DOCUMENT.

DIMENSIONS: mm

TOLERANCES UNLESS OTHERWISE SPECIFIED: ±0.3

MATERIAL: SEE TABLE

FINISH: SEE TABLE

DWN: G. ENDRIZZI 23 JUL 1995  
 CHK: G. TURCO 23 JUL 1995  
 APVD: G. TURCO 23 JUL 1995

NAME: MONO-SHAPE MK1 TAB CONNECTORS 2-10 POS.

APPLICATION SPEC: 108-20065-1, 108-20065-2

SIZE: 114-20016, 114-20016-1

CAGE CODE: A200779

DRAWING NO: C-282002

RESTRICTED TO: -

Customer Drawing

SCALE: -

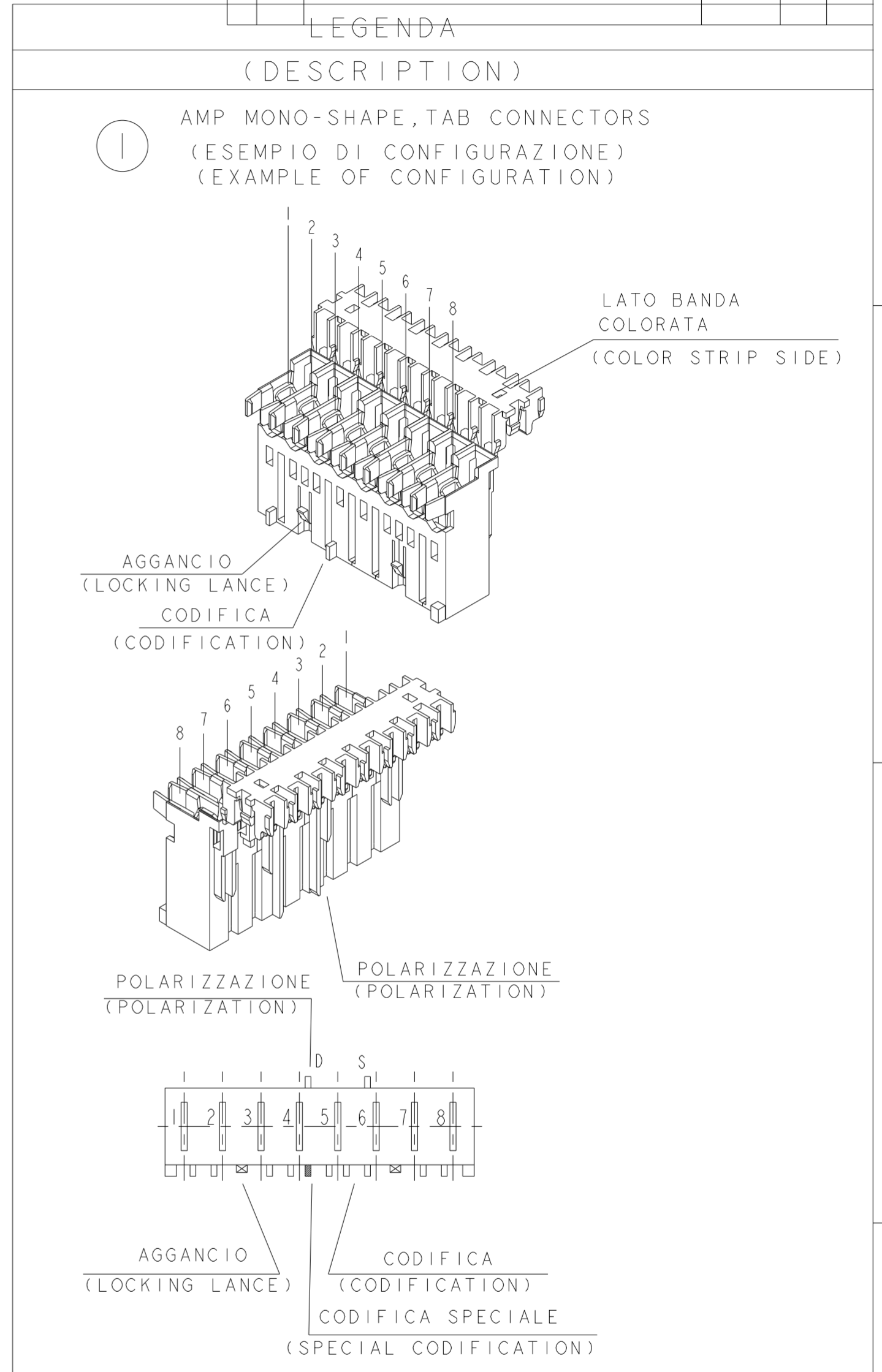
SHEET 3 OF 8

REV: AC6

THIS DRAWING IS UNPUBLISHED. RELEASED FOR PUBLICATION  
 © COPYRIGHT 2011 ALL RIGHTS RESERVED.

LOC	DIST	REVISIONS			
P	LTR	DESCRIPTION	DATE	DWN	APVD
-	-	SEE SHEET 1			
		VISTE SOLO PER RIFERIMENTO			
		VIEWS ONLY FOR REFERENCE			

NUMERO DI VIE	CONFIGURAZIONE (Vista connettore dall'alto) ①	TE PART NUMBER ASSY CONN.				POSIZIONE POLARIZ. (LATO POSTERIORE)	POSIZIONE AGGANCIAMENTO (LATO ANTERIORE)	POSIZIONE CODIFICA SPECIALE (LATO ANTERIORE)	L +0.2 / -0.3 (mm) ⑧	NOTE MARCHIATURA CON BANDA COLORATA	POSSIBILE RAST 5 POLARIZ. ①⑥
		VERSIONE PEZZI IN VASSOIO	VERSIONE PEZZI SCIOLTI	TRAY PACKAGING VERSION	LOOSE PIECES PACKAGING VERSION						
NO OF POS	CONFIGURATION (View from top side) ①	PART REV	PART REV	PART REV	PART REV	POLARIZ. POSITION (BACK SIDE)	LOCKING POSITION (FRONT SIDE)	SPECIAL COD. POSITION (FRONT SIDE)	L +0.2 / -0.3 (mm)	NOTE STRIP COLOUR	
3		1-282003-1	V	<del>2-282003-1</del>	V	1D	1-2	-	14.9	ARANCIO ORANGE	03-A 03-1
3		4-282003-1	AA	-	-	1D ⑤	1-2	-	14.9	ARANCIO ORANGE	03-A 03-1 ⑦
3		1-282003-2	V	<del>2-282003-2</del>	V	2D	2-3	-	14.9	BLU BLUE	03-B
3		1-282003-3	V	<del>2-282003-3</del>	V	1S 3D	1-2	-	14.9	VERDE GREEN	03-F
3		1-282003-4	V	<del>2-282003-4</del>	V	2D 3D	2-3	-	14.9	ROSSO RED	03-B
3		1-282003-5	V	2-282003-5	V	2D 3D	2-3	-	14.9	GRIGIO GREY	03-B
3		1-282003-6	V	2-282003-6	V	-	1-2	-	14.9	VIOLA VIOLET	-
3		1-282003-7	V	-	-	2D 3D	2-3	-	14.9	NERO BLACK	03-B
3		3-282003-3	I	-	-	1S 1D	1-2	-	14.9	-	-
3		3-282003-4	I	-	-	1D - 2S 2D - 3S	1-2	-	14.9	-	-
3		3-282003-5	I	-	-	1S 3D	2-3	-	14.9	-	-
3		3-282003-6	AA	-	-	1S - 1D 2S - 2D	1-2	-	14.9	-	-
3		3-282003-7	AB	-	-	1S	1-2	-	14.9	-	-
3		<del>0-282233-2</del>	V	<del>2-282233-2</del>	V	1S ⑤	1-2	-	14.9	-	03-D ⑧
3		1-284396-1	Z	-	-	2S	2-3	-	14.9	NERO BLACK	-



THIS DRAWING IS A CONTROLLED DOCUMENT.		DWN G. ENDRIZZI 23 JUL 1995	TE Connectivity <b>MONO-SHAPE MK1 TAB CONNECTORS 2-10 POS.</b>
DIMENSIONS: mm		CHK G. TURCO 23 JUL 1995	
TOLERANCES UNLESS OTHERWISE SPECIFIED:		APVD G. TURCO 23 JUL 1995	NAME
		PRODUCT SPEC 108-20065-1, 108-20065-2	RESTRICTED TO
MATERIAL		APPLICATION SPEC 114-20016, 114-20016-1	SIZE
SEE TABLE		WEIGHT	CAGE CODE
SEE TABLE		Customer Drawing	DRAWING NO A200779C-282002
		SCALE	SHEET 4 OF 8
		REV AC6	

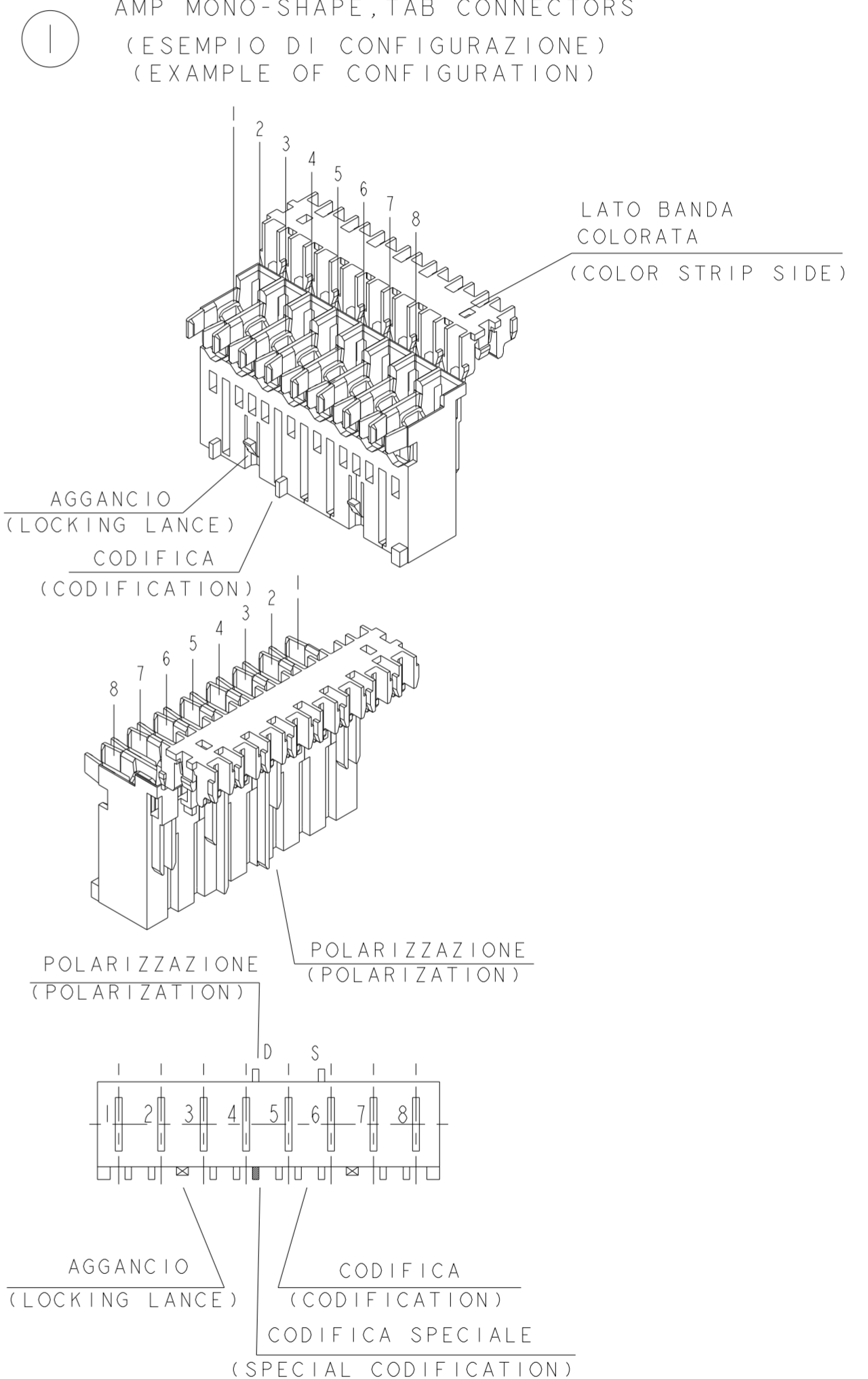
THIS DRAWING IS UNPUBLISHED. RELEASED FOR PUBLICATION  
 © COPYRIGHT 2011 ALL RIGHTS RESERVED.

LOC		DIST		REVISIONS			
P	LTR	DESCRIPTION	DATE	DWN	APVD		
		SEE SHEET 1					

NUMERO DI VIE	CONFIGURAZIONE (Vista connettore dall'alto) ①	TE PART NUMBER ASSY CONN.				POSIZIONE POLARIZ. (LATO POSTERIORE)	POSIZIONE AGGANCIO (LATO ANTERIORE)	POSIZIONE CODIFICA SPECIALE (LATO ANTERIORE)	L +0.2 L -0.3 (mm) $\Delta$ 8	NOTE MARCHIATURA CON BANDA COLORATA
		VERSIONE PEZZI IN VASSOIO	VERSIONE PEZZI SCIOLTI	TRAY PACKAGING VERSION	PART REV					
10		1-282010-1	V	2-282010-1	V	6D 8S	4-5 8-9	6S	49.9	-
10		0-284004-1	V	-	-	6D 8S	4-5 8-9	6S	49.9	-

VISTE SOLO PER RIFERIMENTO  
 VIEWS ONLY FOR REFERENCE

LEGENDA  
 (DESCRIPTION)



THIS DRAWING IS A CONTROLLED DOCUMENT.		DWN G. ENDRIZZI 23 JUL 1995	TE Connectivity MONO-SHAPE MKI TAB CONNECTORS 2-10 POS.	
DIMENSIONS: mm		CHK G. TURCO 23 JUL 1995		
TOLERANCES UNLESS OTHERWISE SPECIFIED:		APVD G. TURCO 23 JUL 1995	NAME	
0 PLC ±		PRODUCT SPEC	108-20065-1, 108-20065-2	
1 PLC ±		APPLICATION SPEC	114-20016, 114-20016-1	
2 PLC ±		WEIGHT	-	
3 PLC ±		SIZE	A200779	
4 PLC ±		CAGE CODE	C-282002	
ANGLES ±		DRAWING NO	-	
FINISH		RESTRICTED TO	-	
SEE TABLE		Customer Drawing	SCALE	SHEET 5 OF 8
SEE TABLE				REV AC6

THIS DRAWING IS UNPUBLISHED. RELEASED FOR PUBLICATION  
 © COPYRIGHT 2011 ALL RIGHTS RESERVED.

REVISIONS							
LOC	DIST	P	LTR	DESCRIPTION	DATE	DWN	APVD
-	-			SEE SHEET 1			

# PA GF, UL-V0 GWEPT 750° C NO FLAME, NATURAL

No. of POS.	CONFIGURATION ONLY FOR REF	ON TRAY		LOOSE PIECES		SEE SHEET 1 FOR ADDITIONAL DETAILS AND NOTES					
		P/N ASS'Y	PART REV.	P/N ASS'Y	PART REV.	POLARIZ. POSITION (BACK SIDE)	LOCKING POSITION (FRONT SIDE)	SPECIAL CODIFICAT. POSITION (FRONT SIDE)	L (mm)	COLOR CODE	POSSIBLE RAST POLARIZ.
2		2293382-2	AA			1S 2D	1-2	-	9.9		02-B 02-E 02-F
2		1-2293382-2	AA			1S 2D	1-2		9.9	GREEN	02-B 02-E 02-F
2		2-2293382-2	AA			1D 2D	1-2		9.9		
2		3-2293382-2	AA			1D 2S	1-2		9.9	BLUE	02-A
2		4-2293382-2	AA			1S 1D	1-2		9.9		
2		5-2293382-2	AA			1S 2D	1-2		9.9	GREY	02-B 02-E 02-F
2		6-2293382-2	AA			1D 2S	1-2		9.9		02-A
2		7-2293382-2	AB			2D	1-2		9.9	RED	02-L
2		8-2293382-2	AC			2S	1-2		9.9	BLACK	02-C
3		2293382-3	AA			2S	2-3		14.9		
3		1-2293382-3	AA			-	1-2		14.9	VIOLET	-
3		2-2293382-3	AA			1D	1-2		14.9	ORANGE	03-A 03-I
3		3-2293382-3	AA			1S 1D	1-2		14.9		
3		4-2293382-3	AA			1D 2S 2D 3S	1-2		14.9		
3		5-2293382-3	AA			1S 3D	2-3		14.9		
3		6-2293382-3	AA			1S 1D 2S 2D	1-2		14.9		
3		7-2293382-3	AA			1S 3D	1-2		14.9	GREEN	03-F
	SEE SHEET 8	8-2293382-3									
3		9-2293382-3	AC			2S	2-3		14.9	BLACK	
3		2468050-3	AC			2D 3D	2-3		14.9	BLUE	03-B
3		1-2468050-3	AC			2D 3D	2-3		14.9	BLACK	03-B
3		2-2468050-3	I			3D	2-3		14.9		

THIS DRAWING IS A CONTROLLED DOCUMENT.

DWN: G. ENDRIZZI 23 JUL 1995  
 CHK: G. TURCO 23 JUL 1995  
 APVD: G. TURCO 23 JUL 1995

**STE** TE Connectivity

NAME: MONO-SHAPE MKI TAB CONNECTORS 2-10 POS.

PRODUCT SPEC: 108-20065-1, 108-20065-2  
 APPLICATION SPEC: 114-20016, 114-20016-1

SIZE: A2 CAGE CODE: 0779 DRAWING NO: C-282002

MATERIAL: SEE TABLE FINISH: SEE TABLE WEIGHT: --

Customer Drawing SCALE: 2:1 SHEET 6 OF 8 REV: AC6

THIS DRAWING IS UNPUBLISHED. RELEASED FOR PUBLICATION  
 © COPYRIGHT 2011 ALL RIGHTS RESERVED.

LOC		DIST		REVISIONS			
P	LTR	DESCRIPTION	DATE	DWN	APVD		
		SEE SHEET 1					

### PA GF, UL-V0 GWEPT 750° C NO FLAME, NATURAL

No. of POS.	CONFIGURATION ONLY FOR REF	ON TRAY		LOOSE PIECES		SEE SHEET 1 FOR ADDITIONAL DETAILS AND NOTES					
		P/N ASS'Y	PART REV.	P/N ASS'Y	PART REV.	POLARIZ. POSITION (BACK SIDE)	LOCKING POSITION (FRONT SIDE)	SPECIAL CODIFICAT. POSITION (FRONT SIDE)	L (mm)	COLOR CODE	POSSIBLE RAST 5 POLARIZ.
4		2293382-4	AA			1D	1-2 3-4	2D	19.9	GREY	04-A
4		1-2293382-4	AA			1S 4D	1-2 3-4	-	19.9		
4		2-2293382-4	AA			1D 2S	1-2 3-4	-	19.9		
	SEE SHEET 8	3-2293382-4									
4		4-2293382-4	AA			1D	1-2 3-4	-	19.9		
4		5-2293382-4	AB			3D	2-3	-	19.9	BLACK	04-D
5		2293382-5	AA			-	4-5	-	24.9		
5		1-2293382-5	AA			-	3-4	3S	24.9		
	SEE SHEET 8	2-2293382-5									
5		3-2293382-5	AC			1S 5D	-	3D	24.9		
6		2293382-6	I			TBD	TBD	TBD	29.9		
6		1-2293382-6	AC			6D	4-5	-	29.9	RED	
7		2293382-7	I			-	1-2 5-6	-	34.9		
7		1-2293382-7	AC			-	1-2 5-6	5S	34.9	RED	
7		2-2293382-7	I			1S 2S 2D 3S 3D 4D 5S 6S 6D 7S 7D	1-2 5-6		34.9		
8		2293382-8	I			TBD	TBD	TBD	39.9		
9		2293382-9	I			TBD	TBD	TBD	44.9		
10		1-2293382-0	I			6D 8S	4-5 8-9	6S	49.9		





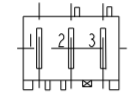



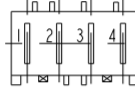




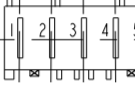




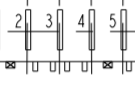


THIS DRAWING IS A CONTROLLED DOCUMENT.		DWN G. ENDRIZZI 23 JUL 1995		TE Connectivity	
DIMENSIONS: mm		CHK G. TURCO 23 JUL 1995		NAME MONO-SHAPE MKI TAB CONNECTORS 2-10 POS.	
TOLERANCES UNLESS OTHERWISE SPECIFIED:		APVD G. TURCO 23 JUL 1995	PRODUCT SPEC 108-20065-1, 108-20065-2		
0 PLC ± 1 PLC ± 2 PLC ± 3 PLC ± 4 PLC ± ANGLES ±		APPLICATION SPEC 114-20016, 114-20016-1	SIZE A2	CAGE CODE 0779	DRAWING NO C-282002
MATERIAL SEE TABLE		WEIGHT -	RESTRICTED TO -		SCALE 2:1
FINISH SEE TABLE		Customer Drawing		SHEET 7	OF 8
				REV AC6	

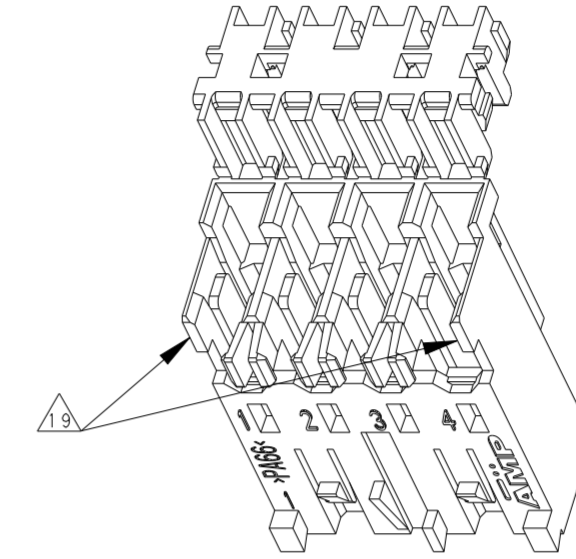
THIS DRAWING IS UNPUBLISHED. RELEASED FOR PUBLICATION  
 © COPYRIGHT 2011 ALL RIGHTS RESERVED.

LOC		DIST		REVISIONS			
P	LTR	DESCRIPTION	DATE	DWN	APVD		
-	-	SEE SHEET 1	-	-	-		
rev_sym_4rev_desc_4			rev.date_4	rev.dwn_4	rev.appr_4		

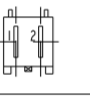
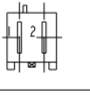
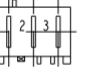
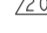
PA GF, UL-V0 GWEPT 750°C NO FLAME, NATURAL, WITH TWO ALTERNATIVE RESINS

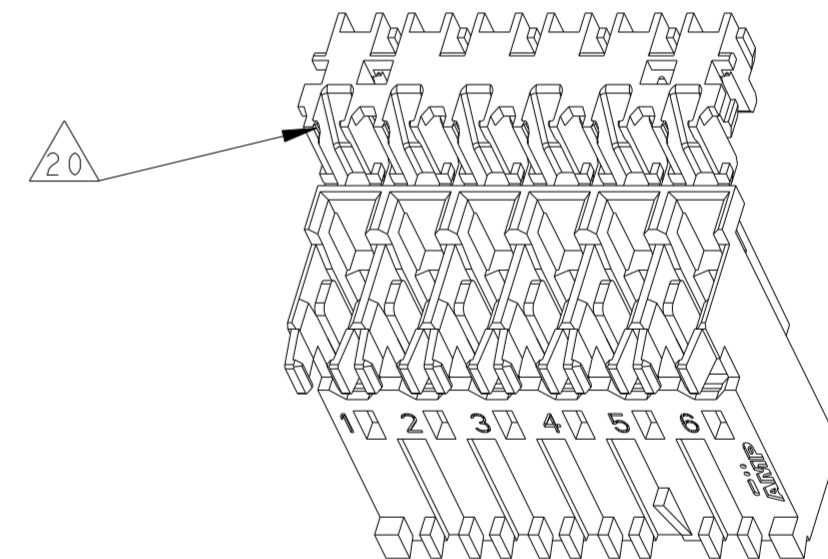
SPECIAL VERSION WITHOUT 2 WIRE RETENTION HOOKS ON 2 END 


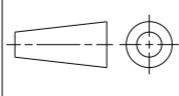
No. of POS.	CONFIGURATION ONLY FOR REF	ON TRAY		LOOSE PIECES		SEE SHEET 1 FOR ADDITIONAL DETAILS AND NOTES					
		P/N ASS'Y	PART REV.	P/N ASS'Y	PART REV.	POLARIZ. POSITION (BACK SIDE)	LOCKING POSITION (FRONT SIDE)	SPECIAL CODIFICAT. POSITION (FRONT SIDE)	L (mm)	COLOR CODE	POSSIBLE RAST 5 POLARIZ. 
3		8-2293382-3 	AC			2D  3D 	2-3	-	14.9		
4		3-2293382-4	AC			1D  2S  3S  4S 	1-2 3-4	-	19.9		
5		2-2293382-5	AC			1S  2D  4D  5D 	1-2 4-5	-	24.9		
6		2-2293382-6 	I			1D 	1-2 4-5	-	29.9		



PA GF, UL-V0 GWEPT 750°C NO FLAME, NATURAL, WITH TWO ALTERNATIVE RESINS

No. of POS.	CONFIGURATION ONLY FOR REF	ON TRAY		LOOSE PIECES		SEE SHEET 1 FOR ADDITIONAL DETAILS AND NOTES					
		P/N ASS'Y	PART REV.	P/N ASS'Y	PART REV.	POLARIZ. POSITION (BACK SIDE)	LOCKING POSITION (FRONT SIDE)	SPECIAL CODIFICAT. POSITION (FRONT SIDE)	L (mm)	COLOR CODE	
2		2397045-2	I			1S 2D	1-2	-	9.9		02-B 02-E 02-F
2		1-2397045-2	I			1D	1-2	-	9.9		02-Q
3		2-2397045-3 	I			1D	1-2	-	9.9		03-A 03-I



THIS DRAWING IS A CONTROLLED DOCUMENT.		DWN G. ENDRIZZI 23 JUL 1995	 TE Connectivity NAME MONO-SHAPE MKI TAB CONNECTORS 2-10 POS. 108-20065-1, 108-20065-2
DIMENSIONS: mm		CHK G. TURCO 23 JUL 1995	
TOLERANCES UNLESS OTHERWISE SPECIFIED:		APVD G. TURCO 23 JUL 1995	
		PRODUCT SPEC 114-20016, 114-20016-1	
MATERIAL	SEE TABLE	FINISH	RESTRICTED TO
SEE TABLE		SEE TABLE	Customer Drawing
SCALE 2:1		SHEET 8 OF 8	REV AC6