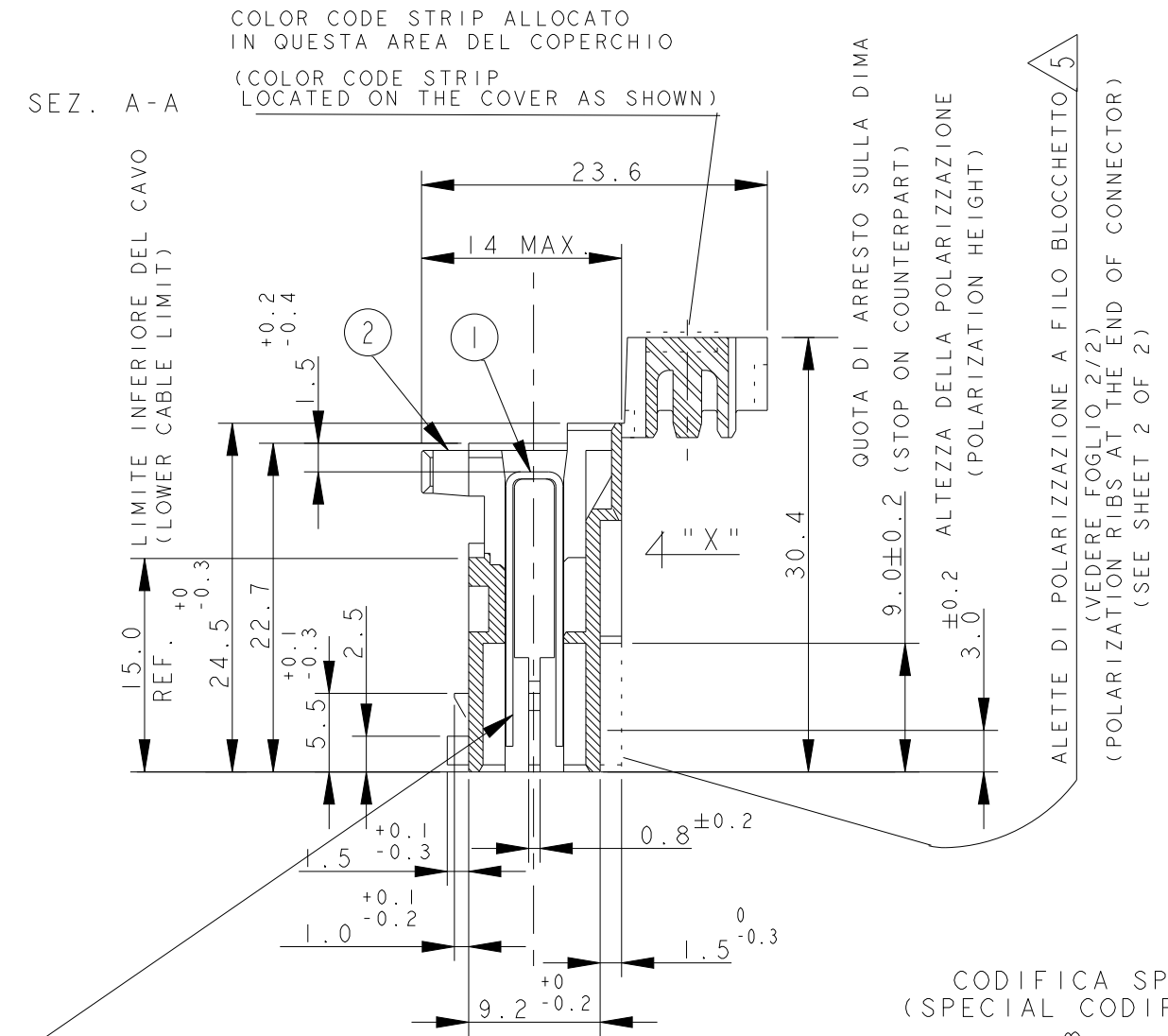
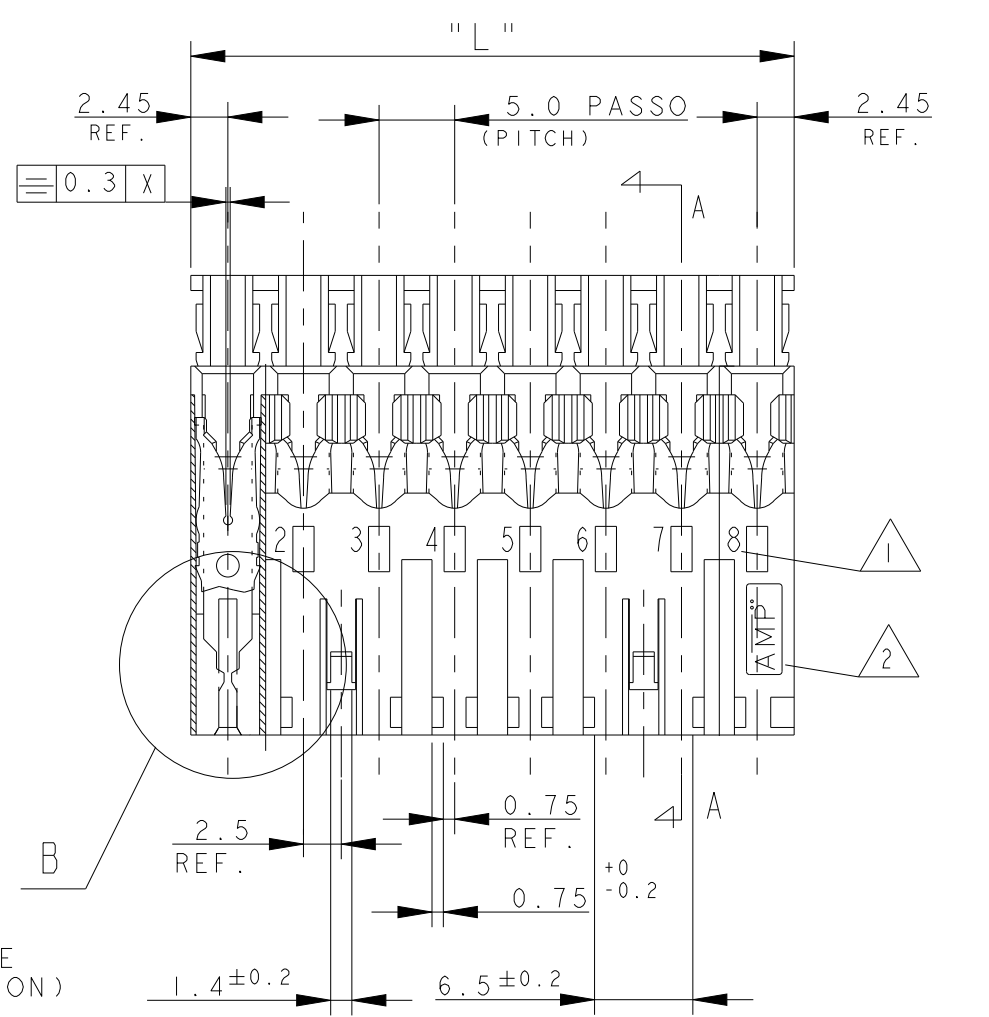


THIS DRAWING IS UNPUBLISHED. RELEASED FOR PUBLICATION
 © COPYRIGHT 2011 ALL RIGHTS RESERVED.

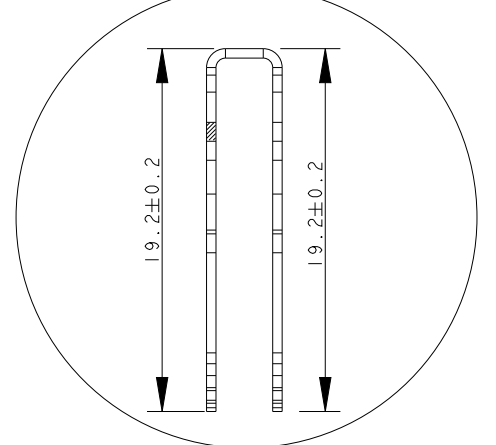
REVISONS		DATE	DWN	APVD
P	LTR	DESCRIPTION		
AC2	ECR-24-201992		26MAR2024	TL FL
AC3	ECR-24-207086		09MAY2024	SP FL
AC4	ECR-24-216212		30JUL2024	DC FL
AC5	ECN-24-281324		26AUG2024	TL FL



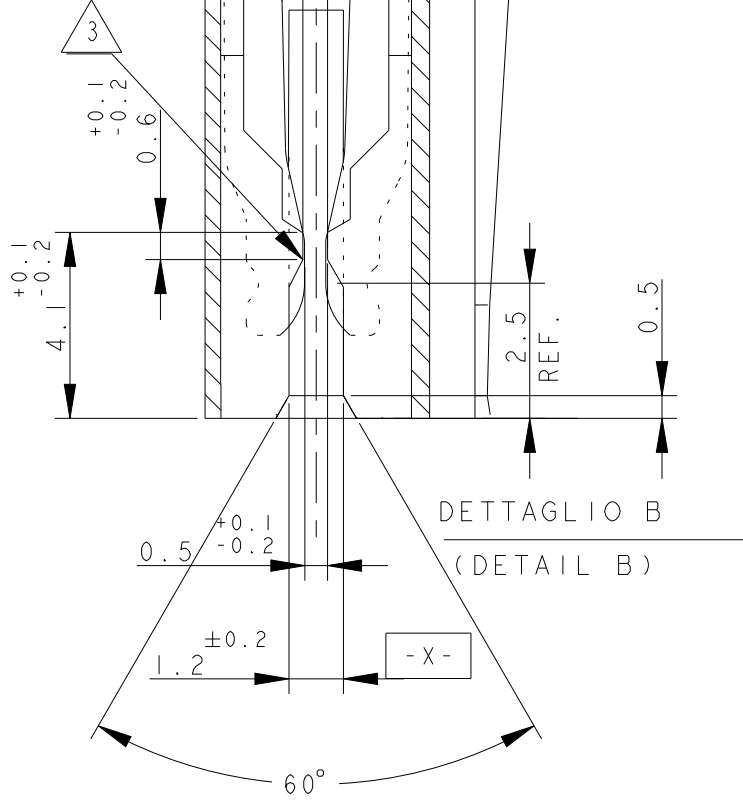
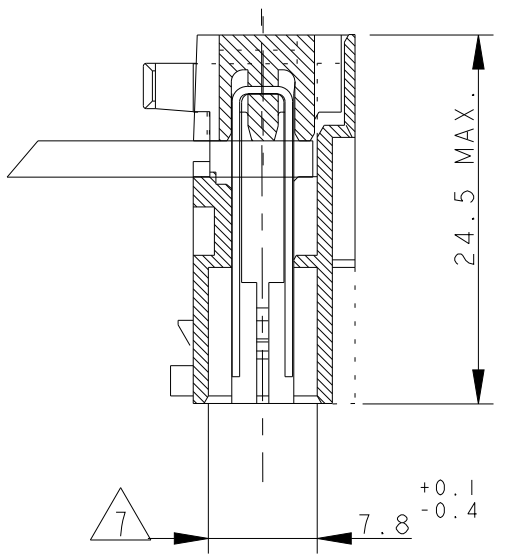
VISTE SOLO PER RIFERIMENTO
 VIEWS ONLY FOR REFERENCE



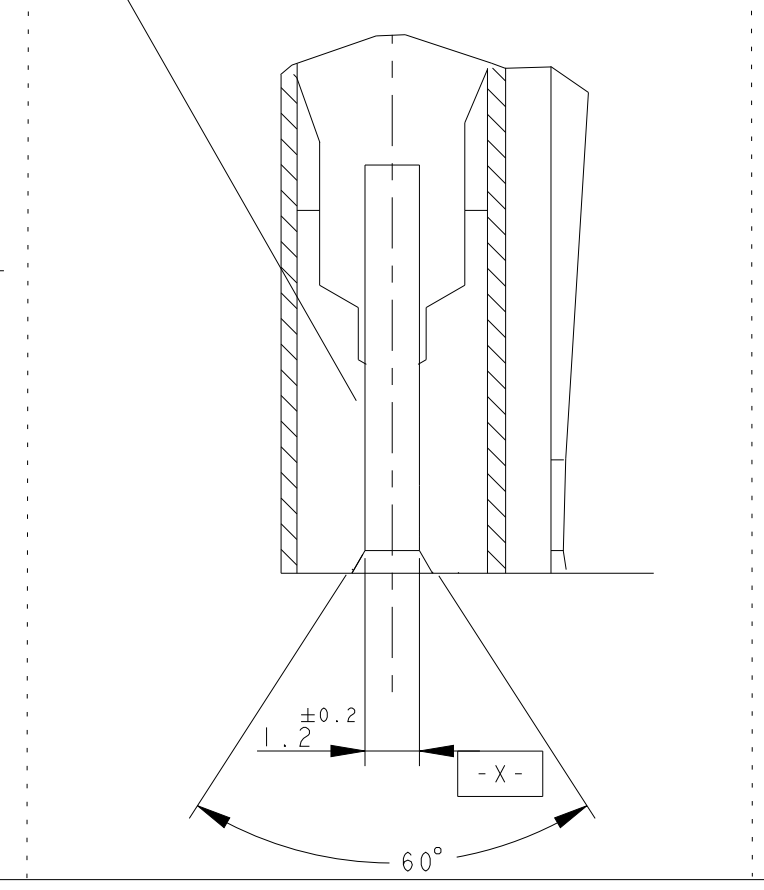
DETTAGLIO DEL CONTATTO, DIMENSIONI RIFERITE AL COMPONENTE INSERITO IN CAVITA' (ENLARGED VIEW OF TAB CONTACT DIM. REFERRED TO CONTACT INSERTED IN THE HOUSING CAVITY)



CONNETTORE COMPLETO DI CAVO (TERMINATED CONNECTOR)

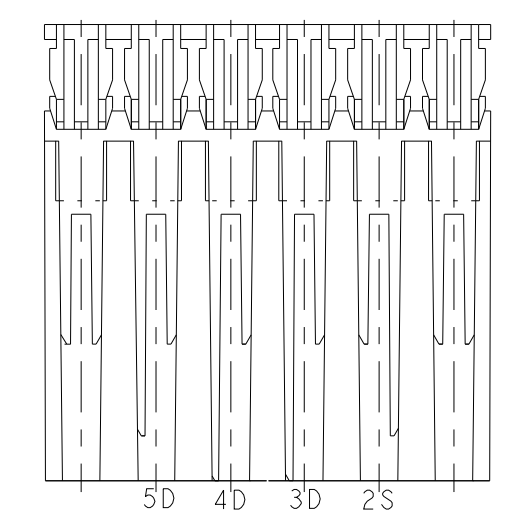


PN X-282002-8
 PN I-2293382-2
 (DETAIL "B" FOR CAVITY 1 & 2)



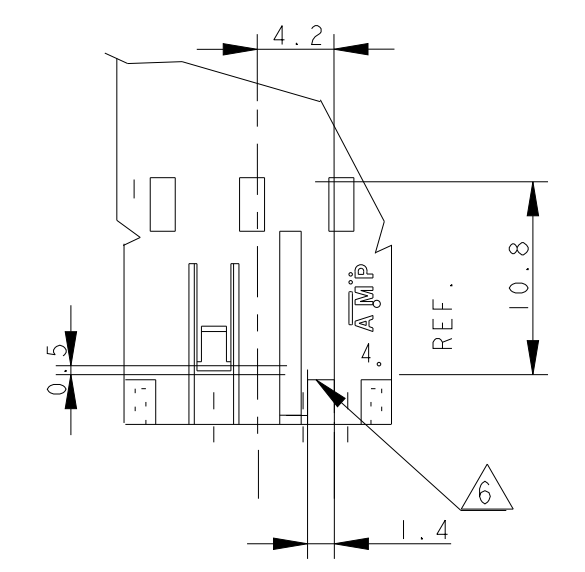
DETAIL PN/s:
 1-282006-3
 2-282006-3
 3-282006-3

POLARIZATION KEYS (VIEW FROM "X")



- NOTE/NOTES:
- 1 NUMERI DI IDENTIFICAZIONE CAVITA' (CIRCUIT IDENTIFICATION)
 - 2 MARCHIO DI FABBRICA LIBERA POSIZIONE (AMP LOGO FREE POSITION)
 - 3 RETENTION TOOTH IS REQUESTED FOR THE 2 AND 3 POS. ONLY
 - 4 PERTE PRELIMINARE, NON ANCORA IN PRODUZIONE (PRELIMINARY PART, NOT YET RELEASED FOR PRODUCTION)
 - 5 PER QUESTI P/N LA POLARIZZAZIONE POSTERIORE DEVE INTENDERSI COMPLETA, A FINE BLOCCETTO (per la rappresentazione vedere foglio 1/2) (FOR THE INDICATE P/N THE POLARIZATION MUST BE AT THE END OF CONNECTOR (see sheet 2 of 2)
 - 6 CODIFICA CON DIFFERENTE DIMENSIONE (CODIFICATION WITH DIFFERENT DIMENSION)
 - 7 BECOMES 6.5 FOR BOTH CAVITIES ON THE 2 POS., ON CAVITY N.1 AND N.3 ON THE 3 POS., ON CAVITY N.1 ON THE 4 POS. CONNECTOR AND ON THE 5 POS. CONNECTOR 2-2293382-5 OPTIONAL ON PARTS 6-2293382-2, 6-282002-0, 2-2293382-5. NOT APPLICABLE ON PARTS 4-282002-1, 3-282002-5, 1-282002-8, 3-282002-4, 4-282003-1, 1-2293382-2.
 - 8 INCLUDE LA POLARIZZAZIONE DOVE E' ESISTENTE (INCLUDING POLARIZATION KEY, WHEN EXISTING)
 - 9 DETAIL FOR PN X-282002-8 AND PN I-2293382-2, SPECIAL VERSION, SEE ALSO NOTE 3
 - 10 P/N NON RILASCIATO PER LA PRODUZIONE (P/N NOT YET RELEASED FOR PRODUCTION)
 - 11 ---
 - 12 GEOMETRIA ALTERNATIVA DEL DENTINO DI AGGANCIAMENTO VEDI NOTA 3 PER ALTRI DETTAGLI (ALTERNATIVE SHAPE FOR RETENTION TOOTH, SEE NOTE 3 FOR ADDITIONAL DETAILS)
 - 13 STATO DI FORNITURA: CONFEZIONAMENTO IN "VASSOI + SCATOLA" (PACKAGING: "ON TRAY PLUS CARTON BOX")
 - 14 CONFEZIONAMENTO IN BOBINA OBSOLETO (PACKAGING: ON REEL OBSOLETE) PASSO 11.4-12.4 (PITCH)
 - 15 OBSOLETE PARTS: OBSOLETE CIS STREAMLINING PER D.RENAUD/D.SINISI
 - 16 THE DESIRED POLARIZATION CAN BE OBTAINED BY THE TERMINATION MACHINE
 - 17 EXCEPTION MADE FOR PN FOR THIS PN CAVITY 1 IS WITHOUT RETENTION TOOTH AND HAS THE SAME DESIGN AS THE CAVITY N.2
 - 18 OBSOLETE PART
 - 19 WITHOUT 2 WIRE RETENTION HOOKS ON 2 END, SEE SHEET 8
 - 20 SPECIAL VERSION WITH WIRE RETENTION HOOK ON COVER, SPECIAL MODIFICATION ON TERMINATION MACHINE IS A MUST.

DETAIL FOR PN 0-282233-2 ONLY



ITEM	DENOMINAZIONE (DESCRIPTION)	FINITURA / COLORE (FINISH / COLOUR)	MATERIALE (MATERIAL)
2	BLOCCETTO (HOUSING)	NATURALE (NATURAL)	PA 6.6 CARICATO VETRO (POLIAMIDE 6.6 GLASSFIBER FILLED)
1	CONTATTO (CONTACT)	STAGNATO (TIN-PLATED)	OTTONE (BRASS)

THIS DRAWING IS A CONTROLLED DOCUMENT.

DIMENSIONS: mm

TOLERANCES UNLESS OTHERWISE SPECIFIED: 0.3

MATERIAL: SEE TABLE

FINISH: SEE TABLE

DWN: G. ENDRIZZI 23JUL1995

CHK: G. TURCO 23JUL1995

APVD: G. TURCO 23JUL1995

NAME: MONO-SHAPE MK1 TAB CONNECTORS 2-10 POS.

PRODUCT SPEC: 108-20065-1, 108-20065-2

APPLICATION SPEC: 114-20016, 114-20016-1

WEIGHT: -

SIZE: A2

CAGE CODE: 0779

DRAWING NO: C-282002

RESTRICTED TO: -

Customer Drawing

SCALE: 2:1

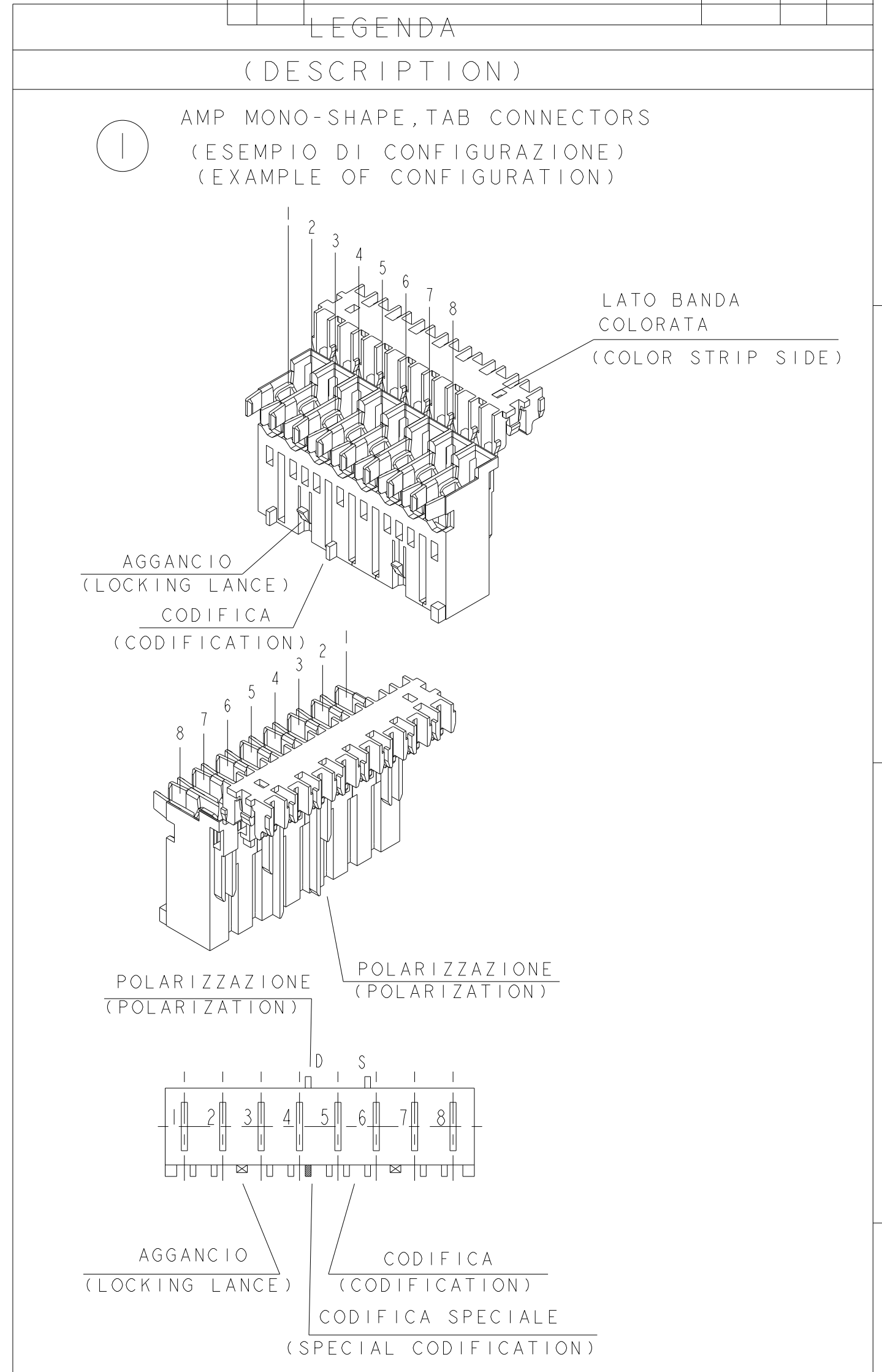
SHEET: 1 OF 8

REV: AC5

THIS DRAWING IS UNPUBLISHED. RELEASED FOR PUBLICATION
 © COPYRIGHT 2011 ALL RIGHTS RESERVED.

LOC		DIST		REVISIONS			
P	LTR	DESCRIPTION	DATE	DWN	APVD		
		SEE SHEET 1					
		VISTE SOLO PER RIFERIMENTO					
		VIEWS ONLY FOR REFERENCE					

NUMERO DI VIE	CONFIGURAZIONE (Vista connettore dall'alto) ①	TE PART NUMBER ASSY CONN.				POSIZIONE POLARIZ. (LATO POSTERIORE)	POSIZIONE AGGANCIO (LATO ANTERIORE)	POSIZIONE CODIFICA SPECIALE (LATO ANTERIORE)	L +0.2 L -0.3 (mm) 8	NOTE MARCHIATURA CON BANDA COLORATA	POSSIBILE RAST 5 POLARIZ.
		VERSIONE PEZZI IN VASSOIO	VERSIONE PEZZI SCIOLTI	TRAY PACKAGING VERSION	PART REV						
NO OF POS	CONFIGURATION (View from top side) ①	TRAY PACKAGING VERSION	PART REV	LOOSE PIECES PACKAGING VERSION	PART REV	POLARIZ. POSITION (BACK SIDE)	LOCKING POSITION (FRONT SIDE)	SPECIAL COD. POSITION (FRONT SIDE)	L +0.2 L -0.3 (mm)	NOTE STRIP COLOUR	POSSIBLE RAST 5 POLARIZ.
2		4-282002-1	AA	-	-	2S 5	1-2	-	9.9	NERO BLACK	02-C
2		1-282002-1	V	2-282002-1	V	2S 5	1-2	-	9.9	NERO BLACK	02-C
2		1-282002-2	V	2-282002-2	V	1S	1-2	-	9.9	GRIGIO GREY	02-B 02-E 02-F
2		1-282002-3	V	2-282002-3	V	2D	1-2	-	9.9	ROSSO RED	02-L
2		1-282002-4	V	2-282002-4	V	1D 5	1-2	-	9.9	BLU BLUE	02-A
2		1-282002-5	V	2-282002-5	V	2S 5	1-2	-	9.9	NERO BLACK	02-Q
2		3-282002-5	AA	-	-	1D	1-2	-	9.9	NERO BLACK	02-Q
2		1-282002-6	V	2-282002-6	V	-	1-2	-	9.9	NERO BLACK	-
2		1-282002-7	V	2-282002-7	V	-	1-2	-	9.9	-	-
2		1-282002-8	V	2-282002-8	V	1S	1-2	-	9.9	VERDE GREEN	02-B 02-E 02-F
2		2-282002-9	I	-	-	1D	1-2	-	9.9	-	-
2		3-282002-0	I	-	-	2D	1-2	-	9.9	-	-
2		3-282002-4	AA	-	-	1D 5	1-2	-	9.9	-	02-A
2		5-282002-2	A	-	-	2S 5	1-2	-	9.9	YELLOW	02-B 02-E 02-F
2		6-282002-0	AA	-	-	1S 5	1-2	-	9.9	RED	-



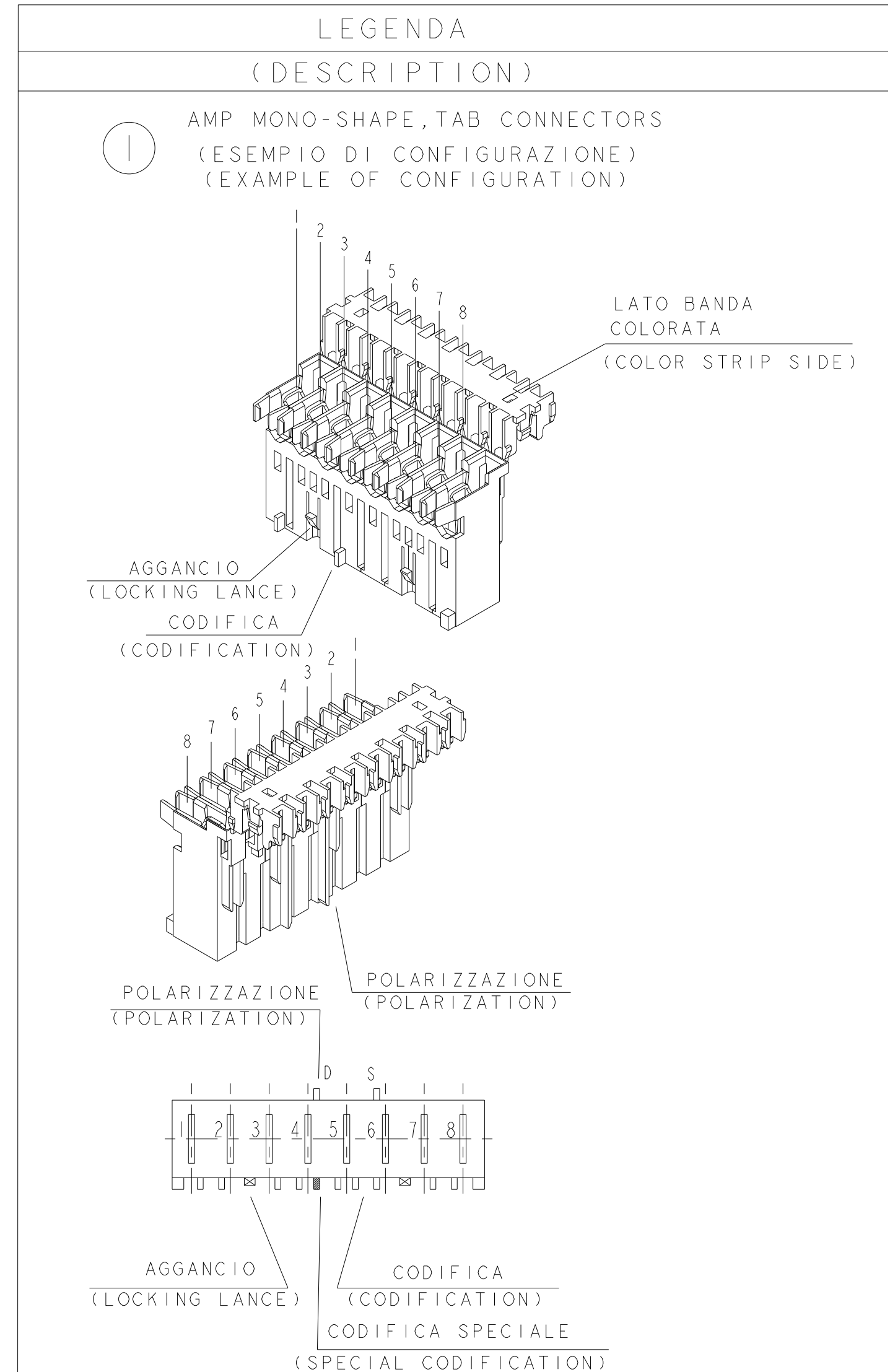
THIS DRAWING IS A CONTROLLED DOCUMENT.		DWN G. ENDRIZZI 23 JUL 1995	TE Connectivity MONO-SHAPE MK1 TAB CONNECTORS 2-10 POS.	
DIMENSIONS: mm		CHK G. TURCO 23 JUL 1995		
TOLERANCES UNLESS OTHERWISE SPECIFIED:		APVD G. TURCO 23 JUL 1995	NAME	
0 PLC ± 1 PLC ± 2 PLC ± 3 PLC ± 4 PLC ± ANGLES ± FINISH ±		PRODUCT SPEC 108-20065-1, 108-20065-2	DRAWING NO	
MATERIAL		APPLICATION SPEC 114-20016, 114-20016-1	RESTRICTED TO	
SEE TABLE		WEIGHT	SCALE	
SEE TABLE		Customer Drawing	SHEET 2 OF 8	
			REV AC5	

THIS DRAWING IS UNPUBLISHED. RELEASED FOR PUBLICATION
 © COPYRIGHT 2011 ALL RIGHTS RESERVED.

LOC		DIST		REVISIONS			
P	LTR	DESCRIPTION	DATE	DWN	APVD		
		SEE SHEET 1					

VISTE SOLO PER RIFERIMENTO
 VIEWS ONLY FOR REFERENCE

NUMERO DI VIE	CONFIGURAZIONE (Vista connettore dall'alto)	TE PART NUMBER ASSY CONN.		POSIZIONE POLARIZ. (LATO POSTERIORE)	POSIZIONE AGGANCIO (LATO ANTERIORE)	POSIZIONE CODIFICA SPECIALE (LATO ANTERIORE)	L +0.2 -0.3 (mm)	NOTE MARCHIATURA CON BANDA COLORATA	POSSIBILE RAST 5 POLARIZ.	
		VERSIONE PEZZI IN VASSOIO	VERSIONE PEZZI SCIOLTI							
NO OF POS	CONFIGURATION (View from top side)	TRAY PACKAGING VERSION	PART REV	LOOSE PIECES PACKAGING VERSION	PART REV	POLARIZ. POSITION (BACK SIDE)	LOCKING POSITION (FRONT SIDE)	SPECIAL COD. POSITION (FRONT SIDE)	NOTE STRIP COLOUR	
4		1-282004-1	V	2-282004-1	V	1D	1-2	2D	GRIGIO GREY	04-A
4		1-282004-2	V	2-282004-2	V	3D	2-3	-	NERO BLACK	04-D
4		1-282004-3	V	2-282004-3	V	1D	1-2	2D	ROSSO RED	04-A
4		1-282004-4	S	-	-	3D	1-2	-	BLU BLUE	-
4		3-282004-4	AA	-	-	4D	3-4	-	-	04-A
4		4-282004-4	I	-	-	1S	1-2	-	-	-
4		4-282004-4	I	-	-	4D	3-4	-	-	-
5		1-282005-1	V	2-282005-1	V	4D	4-5	-	ROSSO RED	-
5		1-284545-1	Z	-	-	2S	4-5	-	ROSSO RED	-
5		1-284545-2	A	-	-	1S	-	3D	-	-
5		1-284545-3	A	-	-	5D	3-4	-	BLU BLUE	-
5		1-293003-5	Z	-	-	5D	3-4	-	ROSSO RED	-
6		1-282006-2	V	2-282006-2	V	2S	2-3	-	VIOLA VIOLET	-
6		1-282006-3	V	2-282006-3	V	5D	4-5	-	-	-
6		2-282006-4	V	-	-	4D - 5D	-	5S	NERO BLACK	-
6		1-284745-1	Z	-	-	3D	-	-	-	-
6		1-284745-2	I	-	-	5D	4-5	-	ROSSO RED	-
6		1-284745-3	AA	-	-	6D	4-5	-	RED	-
6		1-284745-4	AA	-	-	5D	3-4	-	VIOLET	-
6		1-284745-4	AA	-	-	1S	2-3	-	ORANGE	-
7		1-282007-1	V	2-282007-1	V	1D	1-2	3S	-	-
7		2-282007-2	V	-	-	5D	5-6	-	-	-
7		2-282007-2	V	-	-	4D	-	6S	VIOLA VIOLET	-
7		2-282007-3	I	-	-	6D	-	-	-	-
7		3-282007-2	AA	-	-	1S - 2S - 2D 3S - 3D - 4D 5S - 6S - 6D 7S - 7D	1-2	5S	-	-
7		1-284397-1	Z	-	-	-	1-2	-	NERO BLACK	-
7		1-293004-7	Z	-	-	-	1-2	-	ROSSO RED	-
7		2-293004-7	I	-	-	-	1-2	-	GRIGIO GREY	-
8		0-284085-1	V	2-284085-1	V	2D - 6S	-	4S	-	-
8		0-284085-2	V	2-284085-2	V	4D - 6D	2-3	-	VIOLA VIOLET	-



THIS DRAWING IS A CONTROLLED DOCUMENT.

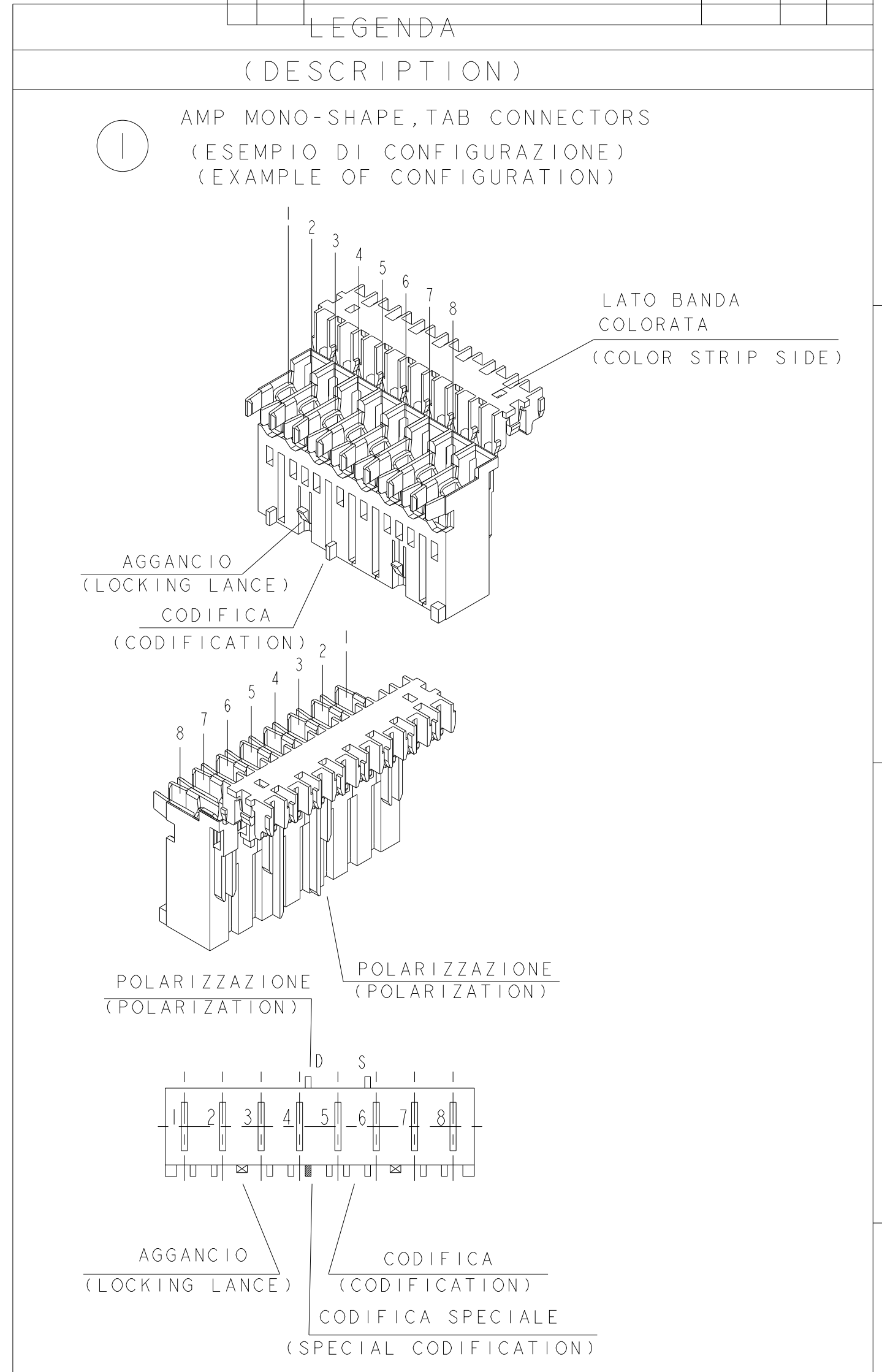
DIMENSIONS: mm	TOLERANCES UNLESS OTHERWISE SPECIFIED: ±0.3	DWN: G. ENDRIZZI 23 JUL 1995	CHK: G. TURCO 23 JUL 1995	APVD: G. TURCO 23 JUL 1995	NAME: MONO-SHAPE MK1 TAB CONNECTORS 2-10 POS.
MATERIAL: SEE TABLE	FINISH: SEE TABLE	PRODUCT SPEC: 108-20065-1, 108-20065-2	APPLICATION SPEC: 114-20016, 114-20016-1	WEIGHT: --	SIZE: A2
Customer Drawing		SCALE: -	SHEET: 3 OF 8	REV: AC5	RESTRICTED TO: -

STE TE Connectivity

THIS DRAWING IS UNPUBLISHED. RELEASED FOR PUBLICATION
 © COPYRIGHT 2011 ALL RIGHTS RESERVED.

LOC	DIST	REVISIONS			
P	LTR	DESCRIPTION	DATE	DWN	APVD
-	-	SEE SHEET 1			
		VISTE SOLO PER RIFERIMENTO			
		VIEWS ONLY FOR REFERENCE			

NUMERO DI VIE	CONFIGURAZIONE (Vista connettore dall'alto) ①	TE PART NUMBER ASSY CONN.				POSIZIONE POLARIZ. (LATO POSTERIORE)	POSIZIONE AGGANCIAMENTO (LATO ANTERIORE)	POSIZIONE CODIFICA SPECIALE (LATO ANTERIORE)	L +0.2 / -0.3 (mm) ⑧	NOTE MARCHIATURA CON BANDA COLORATA	POSSIBILI RAST 5 POLARIZ. ①⑥
		VERSIONE PEZZI IN VASSOIO	VERSIONE PEZZI SCIOLTI	TRAY PACKAGING VERSION	LOOSE PIECES PACKAGING VERSION						
NO OF POS	CONFIGURATION (View from top side) ①	TRAY PACKAGING VERSION	PART REV	LOOSE PIECES PACKAGING VERSION	PART REV	POLARIZ. POSITION (BACK SIDE)	LOCKING POSITION (FRONT SIDE)	SPECIAL COD. POSITION (FRONT SIDE)	L +0.2 / -0.3 (mm)	NOTE STRIP COLOUR	POSSIBLE RAST 5 POLARIZ. ①⑥
3		1-282003-1	V	2-282003-1	V	1D	1-2	-	14.9	ARANCIO ORANGE	03-A 03-I
3		4-282003-1	AA	-	-	1D ⑤	1-2	-	14.9	ARANCIO ORANGE	03-A 03-I ⑦
3		1-282003-2	V	2-282003-2	V	2D	2-3	-	14.9	BLU BLUE	03-B
3		1-282003-3	V	2-282003-3	V	1S 3D	1-2	-	14.9	VERDE GREEN	03-F
3		1-282003-4	V	2-282003-4	V	2D 3D	2-3	-	14.9	ROSSO RED	03-B
3		1-282003-5	V	2-282003-5	V	2D 3D	2-3	-	14.9	GRIGIO GREY	03-B
3		1-282003-6	V	2-282003-6	V	-	1-2	-	14.9	VIOLA VIOLET	-
3		1-282003-7	V	-	-	2D 3D	2-3	-	14.9	NERO BLACK	03-B
3		3-282003-3	I	-	-	1S 1D	1-2	-	14.9	-	-
3		3-282003-4	I	-	-	1D - 2S 2D - 3S	1-2	-	14.9	-	-
3		3-282003-5	I	-	-	1S 3D	2-3	-	14.9	-	-
3		3-282003-6	AA	-	-	1S - 1D 2S - 2D	1-2	-	14.9	-	-
3		3-282003-7	AB	-	-	1S	1-2	-	14.9	-	-
3		0-282233-2	V	2-282233-2	V	1S ⑤	1-2	-	14.9	-	03-D ⑧
3		1-284396-1	Z	-	-	2S	2-3	-	14.9	NERO BLACK	-



THIS DRAWING IS A CONTROLLED DOCUMENT.		DWN G. ENDRIZZI 23 JUL 1995	 TE Connectivity
DIMENSIONS: mm		CHK G. TURCO 23 JUL 1995	
TOLERANCES UNLESS OTHERWISE SPECIFIED:		APVD G. TURCO 23 JUL 1995	NAME MONO-SHAPE MK1 TAB CONNECTORS 2-10 POS.
 0 PLC ± 1 PLC ± 2 PLC ± 3 PLC ± 4 PLC ± ANGLES ±		PRODUCT SPEC 108-20065-1, 108-20065-2	RESTRICTED TO
MATERIAL SEE TABLE		APPLICATION SPEC 114-20016, 114-20016-1	SIZE A200779
SEE TABLE		WEIGHT -	DRAWING NO C-282002
SEE TABLE		Customer Drawing	SCALE - SHEET 4 OF 8 REV AC5

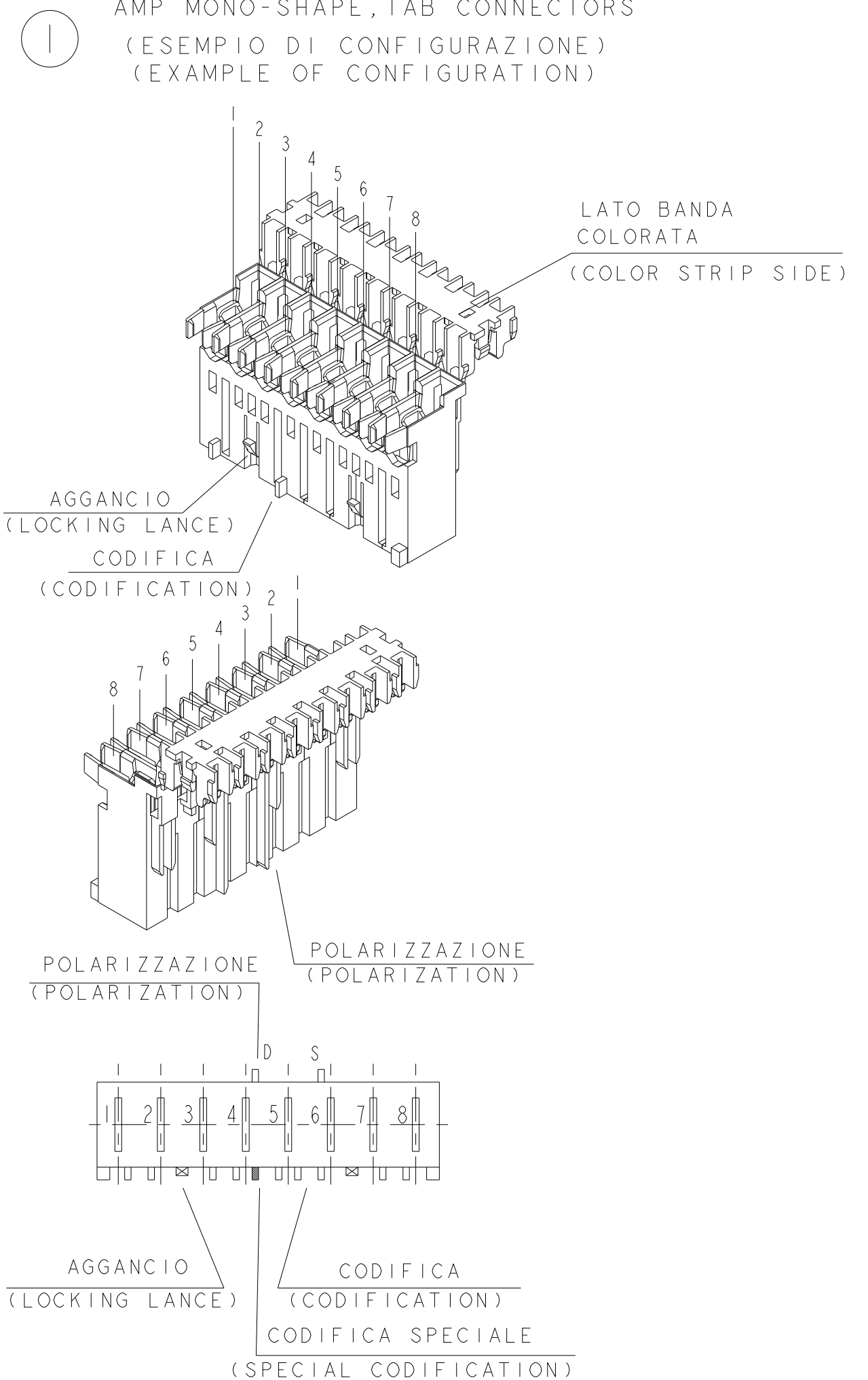
THIS DRAWING IS UNPUBLISHED. RELEASED FOR PUBLICATION
 © COPYRIGHT 2011 ALL RIGHTS RESERVED.

LOC		DIST		REVISIONS			
P	LTR	DESCRIPTION	DATE	DWN	APVD		
		SEE SHEET 1					

NUMERO DI VIE	CONFIGURAZIONE (Vista connettore dall'alto) ①	TE PART NUMBER ASSY CONN.				POSIZIONE POLARIZ. (LATO POSTERIORE)	POSIZIONE AGGANCIO (LATO ANTERIORE)	POSIZIONE CODIFICA SPECIALE (LATO ANTERIORE)	L +0.2 L -0.3 (mm) Δ 8	NOTE MARCHIATURA CON BANDA COLORATA
		VERSIONE PEZZI IN VASSOIO	VERSIONE PEZZI SCIOLTI	TRAY PACKAGING VERSION	PART REV					
10		1-282010-1	V	2-282010-1	V	6D 8S	4-5 8-9	6S	49.9	-
10		0-284004-1	V	-	-	6D 8S	4-5 8-9	6S	49.9	-

VISTE SOLO PER RIFERIMENTO
 VIEWS ONLY FOR REFERENCE

LEGENDA
 (DESCRIPTION)



THIS DRAWING IS A CONTROLLED DOCUMENT.		DWN G. ENDRIZZI 23 JUL 1995	TE Connectivity
DIMENSIONS: mm		CHK G. TURCO 23 JUL 1995	
TOLERANCES UNLESS OTHERWISE SPECIFIED:		APVD G. TURCO 23 JUL 1995	NAME MONO-SHAPE MK1 TAB CONNECTORS 2-10 POS.
0 PLC ± 1 PLC ± 2 PLC ± 3 PLC ± 4 PLC ± ANGLES ± FINISH ±		PRODUCT SPEC 108-20065-1, 108-20065-2 APPLICATION SPEC 114-20016, 114-20016-1	SIZE A2 CAGE CODE 0779 DRAWING NO C-282002
MATERIAL SEE TABLE		WEIGHT --	RESTRICTED TO -
SEE TABLE		Customer Drawing	SCALE - SHEET 5 OF 8 REV AC5

THIS DRAWING IS UNPUBLISHED. RELEASED FOR PUBLICATION
 © COPYRIGHT 2011 ALL RIGHTS RESERVED.

PA GF, UL-VO GWEPT 750° C NO FLAME, NATURAL

LOC	DIST	REVISIONS					
		P	LTR	DESCRIPTION	DATE	DWN	APVD
-	-			SEE SHEET 1			

No. of POS.	CONFIGURATION ONLY FOR REF	ON TRAY		LOOSE PIECES		SEE SHEET 1 FOR ADDITIONAL DETAILS AND NOTES					
		P/N ASS'Y	PART REV.	P/N ASS'Y	PART REV.	POLARIZ. POSITION (BACK SIDE)	LOCKING POSITION (FRONT SIDE)	SPECIAL CODIFICAT. POSITION (FRONT SIDE)	L (mm)	COLOR CODE	POSSIBLE FAST POLARIZ.
2		2293382-2	AA			1S 2D	1-2	-	9.9		02-B 02-E 02-F
2		1-2293382-2	AA			1S 2D	1-2		9.9	GREEN	02-B 02-E 02-F
2		2-2293382-2	AA			1D 2D	1-2	-	9.9		
2		3-2293382-2	AA			1D 2S	1-2	-	9.9	BLUE	02-A
2		4-2293382-2	AA			1S 1D	1-2	-	9.9		
2		5-2293382-2	AA			1S 2D	1-2	-	9.9	GREY	02-B 02-E 02-F
2		6-2293382-2	AA			1D 2S	1-2	-	9.9	-	02-A
2		7-2293382-2	AB			2D	1-2	-	9.9	RED	02-L
2		8-2293382-2	AC			2S	1-2	-	9.9	BLACK	02-C
3		2293382-3	AA			2S	2-3	-	14.9		
3		1-2293382-3	AA			-	1-2	-	14.9	VIOLET	-
3		2-2293382-3	AA			1D	1-2	-	14.9	ORANGE	03-A 03-I
3		3-2293382-3	AA			1S 1D	1-2	-	14.9		
3		4-2293382-3	AA			1D 2S 2D 3S	1-2	-	14.9		
3		5-2293382-3	AA			1S 3D	2-3	-	14.9		
3		6-2293382-3	AA			1S 1D 2S 2D	1-2	-	14.9		
3		7-2293382-3	AA			1S 3D	1-2	-	14.9	GREEN	03-F
	SEE SHEET 8	8-2293382-3									
3		9-2293382-3	AC			2S	2-3	-	14.9	BLACK	
3		2468050-3	AC			2D 3D	2-3	-	14.9	BLUE	03-B
3		1-2468050-3	AC			2D 3D	2-3	-	14.9	BLACK	03-B

THIS DRAWING IS A CONTROLLED DOCUMENT.		DWN G. ENDRIZZI 23 JUL 1995	TE Connectivity NAME MONO-SHAPE MKI TAB CONNECTORS 2-10 POS. PRODUCT SPEC 108-20065-1, 108-20065-2 APPLICATION SPEC 114-20016, 114-20016-1
DIMENSIONS: mm		CHK G. TURCO 23 JUL 1995	
TOLERANCES UNLESS OTHERWISE SPECIFIED: 0 PLC ± 1 PLC ± 2 PLC ± 3 PLC ± 4 PLC ± ANGLES ±		APVD G. TURCO 23 JUL 1995	
 SEE TABLE SEE TABLE		DRAWING NO C-282002 SCALE - SHEET 6 OF 8 REV AC5	
MATERIAL SEE TABLE		WEIGHT -	RESTRICTED TO -

THIS DRAWING IS UNPUBLISHED. RELEASED FOR PUBLICATION
 © COPYRIGHT 2011 ALL RIGHTS RESERVED.

LOC		DIST		REVISIONS			
P	LTR	DESCRIPTION	DATE	DWN	APVD		
		SEE SHEET 1					

PA GF, UL-V0 GWEPT 750° C NO FLAME, NATURAL

No. of POS.	CONFIGURATION ONLY FOR REF	ON TRAY		LOOSE PIECES		SEE SHEET 1 FOR ADDITIONAL DETAILS AND NOTES					
		P/N ASS'Y	PART REV.	P/N ASS'Y	PART REV.	POLARIZ. POSITION (BACK SIDE)	LOCKING POSITION (FRONT SIDE)	SPECIAL CODIFICAT. POSITION (FRONT SIDE)	L (mm)	COLOR CODE	POSSIBLE RAST 5 POLARIZ.
4		2293382-4	AA			1D	1-2 3-4	2D	19.9	GREY	04-A
4		1-2293382-4	AA			1S 4D	1-2 3-4	-	19.9		
4		2-2293382-4	AA			1D 2S	1-2 3-4	-	19.9		
	SEE SHEET 8	3-2293382-4									
4		4-2293382-4	AA			1D	1-2 3-4	-	19.9		
4		5-2293382-4	AB			3D	2-3	-	19.9	BLACK	04-D
5		2293382-5	AA			-	4-5	-	24.9		
5		1-2293382-5	AA			-	3-4	3S	24.9		
	SEE SHEET 8	2-2293382-5									
5		3-2293382-5	AC			1S 5D	-	3D	24.9		
6		2293382-6	I			TBD	TBD	TBD	29.9		
6		1-2293382-6	AC			6D	4-5	-	29.9	RED	
7		2293382-7	I			-	1-2 5-6	-	34.9		
7		1-2293382-7	AC			-	1-2 5-6	5S	34.9	RED	
7		2-2293382-7	I			1S 2S 2D 3S 3D 4D 5S 6S 6D 7S 7D	1-2 5-6		34.9		
8		2293382-8	I			TBD	TBD	TBD	39.9		
9		2293382-9	I			TBD	TBD	TBD	44.9		
10		1-2293382-0	I			6D 8S	4-5 8-9	6S	49.9		

10

10

10

10

10

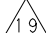
10


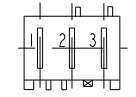


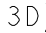
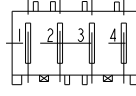






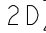

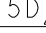
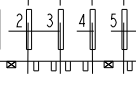


THIS DRAWING IS A CONTROLLED DOCUMENT.		DWN G. ENDRIZZI 23 JUL 1995	TE Connectivity MONO-SHAPE MKI TAB CONNECTORS 2-10 POS.
DIMENSIONS: mm		CHK G. TURCO 23 JUL 1995	
TOLERANCES UNLESS OTHERWISE SPECIFIED:		APVD G. TURCO 23 JUL 1995	NAME
0 PLC ±		PRODUCT SPEC	108-20065-1, 108-20065-2
1 PLC ±		APPLICATION SPEC	114-20016, 114-20016-1
2 PLC ±		SIZE	A2
3 PLC ±		CAGE CODE	0779
4 PLC ±		DRAWING NO	C-282002
ANGLES ±		RESTRICTED TO	-
FINISH		WEIGHT	-
SEE TABLE		Customer Drawing	SCALE 2:1 SHEET 7 OF 8 REV AC5

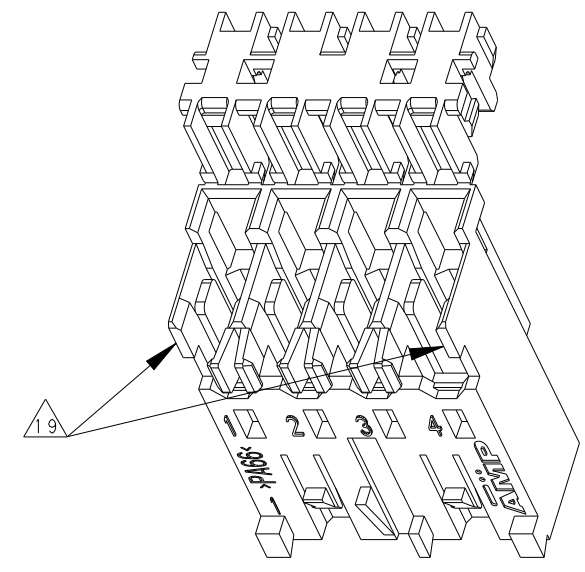
THIS DRAWING IS UNPUBLISHED. RELEASED FOR PUBLICATION
 © COPYRIGHT 2011 ALL RIGHTS RESERVED.

LOC		DIST		REVISIONS			
P	LTR	DESCRIPTION	DATE	DWN	APVD		
-	-	SEE SHEET 1	-	-	-		
rev_sym_4			rev_desc_4	rev_date_4	dwn_4	appr_4	

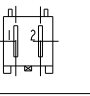
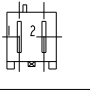
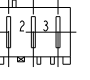
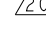
PA GF, UL-V0 GWEPT 750°C NO FLAME, NATURAL, WITH TWO ALTERNATIVE RESINS

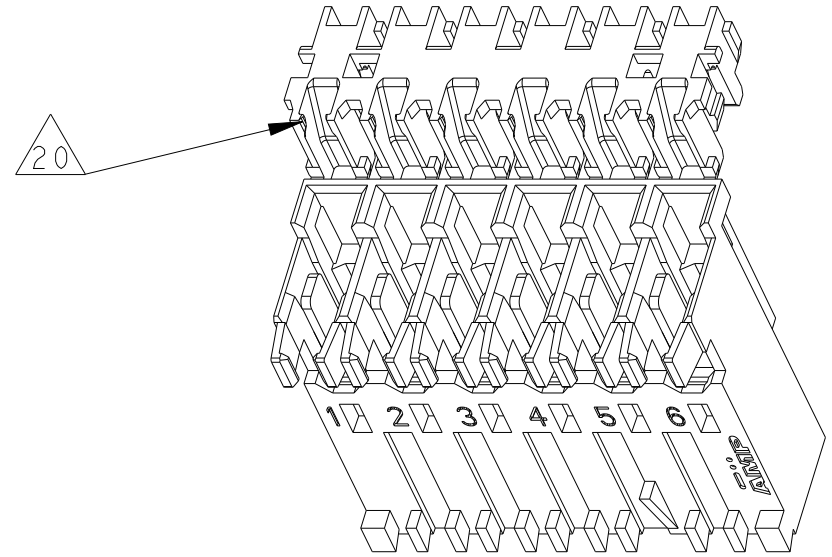
SPECIAL VERSION WITHOUT 2 WIRE RETENTION HOOKS ON 2 END 

No. of POS.	CONFIGURATION ONLY FOR REF	ON TRAY		LOOSE PIECES		SEE SHEET 1 FOR ADDITIONAL DETAILS AND NOTES					
		P/N ASS'Y	PART REV.	P/N ASS'Y	PART REV.	POLARIZ. POSITION (BACK SIDE)	LOCKING POSITION (FRONT SIDE)	SPECIAL CODIFICAT. POSITION (FRONT SIDE)	L (mm)	COLOR CODE	POSSIBLE RAST 5 POLARIZ. 
3		8-2293382-3 	AC			2D  3D 	2-3	-	14.9		
4		3-2293382-4	AC			1D  2S  3S  4S 	1-2 3-4	-	19.9		
5		2-2293382-5	AC			1S  2D  4D  5D 	1-2 4-5	-	24.9		
6		2-2293382-6 	I			1D 	1-2 4-5	-	29.9		


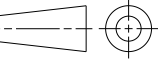


PA GF, UL-V0 GWEPT 750°C NO FLAME, NATURAL, WITH TWO ALTERNATIVE RESINS

No. of POS.	CONFIGURATION ONLY FOR REF	ON TRAY		LOOSE PIECES		SEE SHEET 1 FOR ADDITIONAL DETAILS AND NOTES					
		P/N ASS'Y	PART REV.	P/N ASS'Y	PART REV.	POLARIZ. POSITION (BACK SIDE)	LOCKING POSITION (FRONT SIDE)	SPECIAL CODIFICAT. POSITION (FRONT SIDE)	L (mm)	COLOR CODE	
2		2397045-2	I			1S 2D	1-2	-	9.9		02-B 02-E 02-F
2		1-2397045-2	I			1D	1-2	-	9.9		02-Q
3		2-2397045-3 	I			1D	1-2	-	9.9		03-A 03-I



THIS DRAWING IS A CONTROLLED DOCUMENT.

DIMENSIONS: mm	TOLERANCES UNLESS OTHERWISE SPECIFIED:	DWN: G. ENDRIZZI 23 JUL 1995	 TE Connectivity NAME: MONO-SHAPE MK1 TAB CONNECTORS 2-10 POS. PRODUCT SPEC: 108-20065-1, 108-20065-2 APPLICATION SPEC: 114-20016, 114-20016-1
	0 PLC ± 1 PLC ± 2 PLC ± 3 PLC ± 4 PLC ± ANGLES ±	CHK: G. TURCO 23 JUL 1995	
MATERIAL: SEE TABLE	FINISH: SEE TABLE	APVD: G. TURCO 23 JUL 1995	
		WEIGHT: -	

Customer Drawing SCALE 2:1 SHEET 8 OF 8 REV AC5