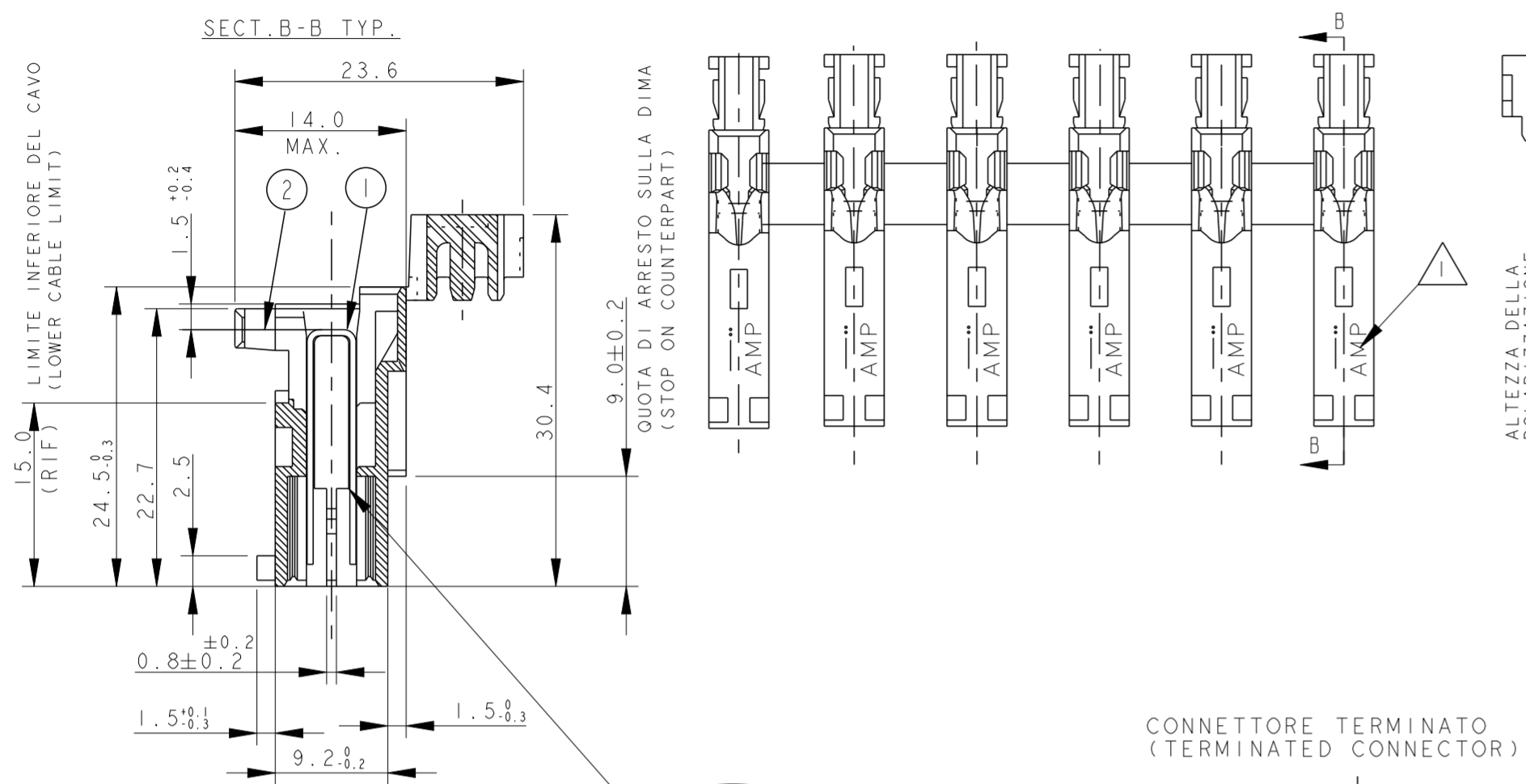
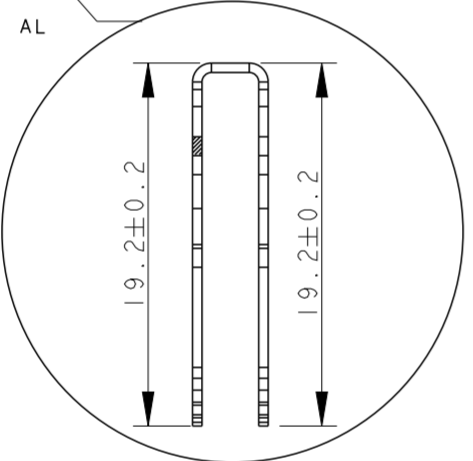


THIS DRAWING IS UNPUBLISHED. RELEASED FOR PUBLICATION 20
 © COPYRIGHT 20 ALL RIGHTS RESERVED.

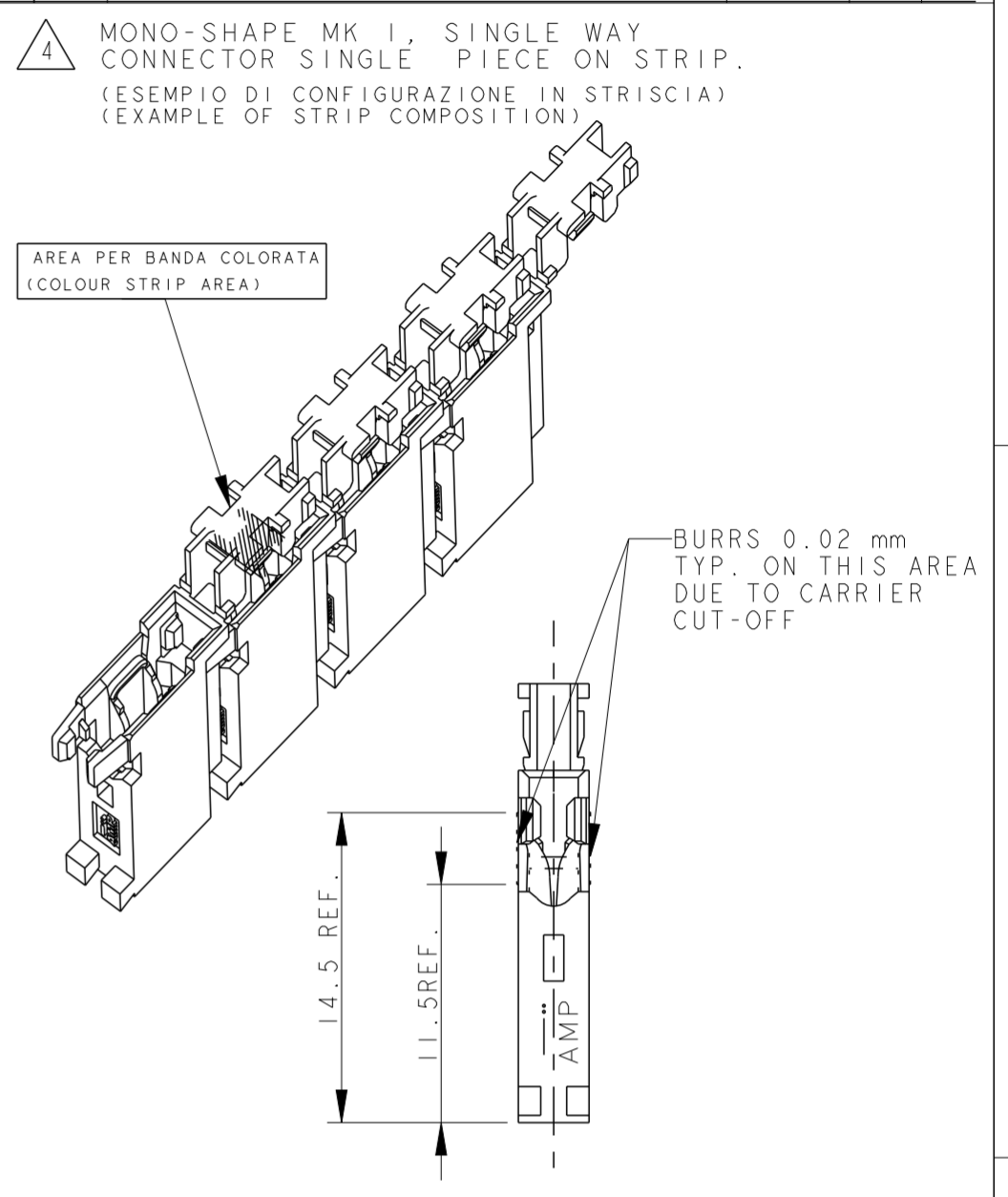
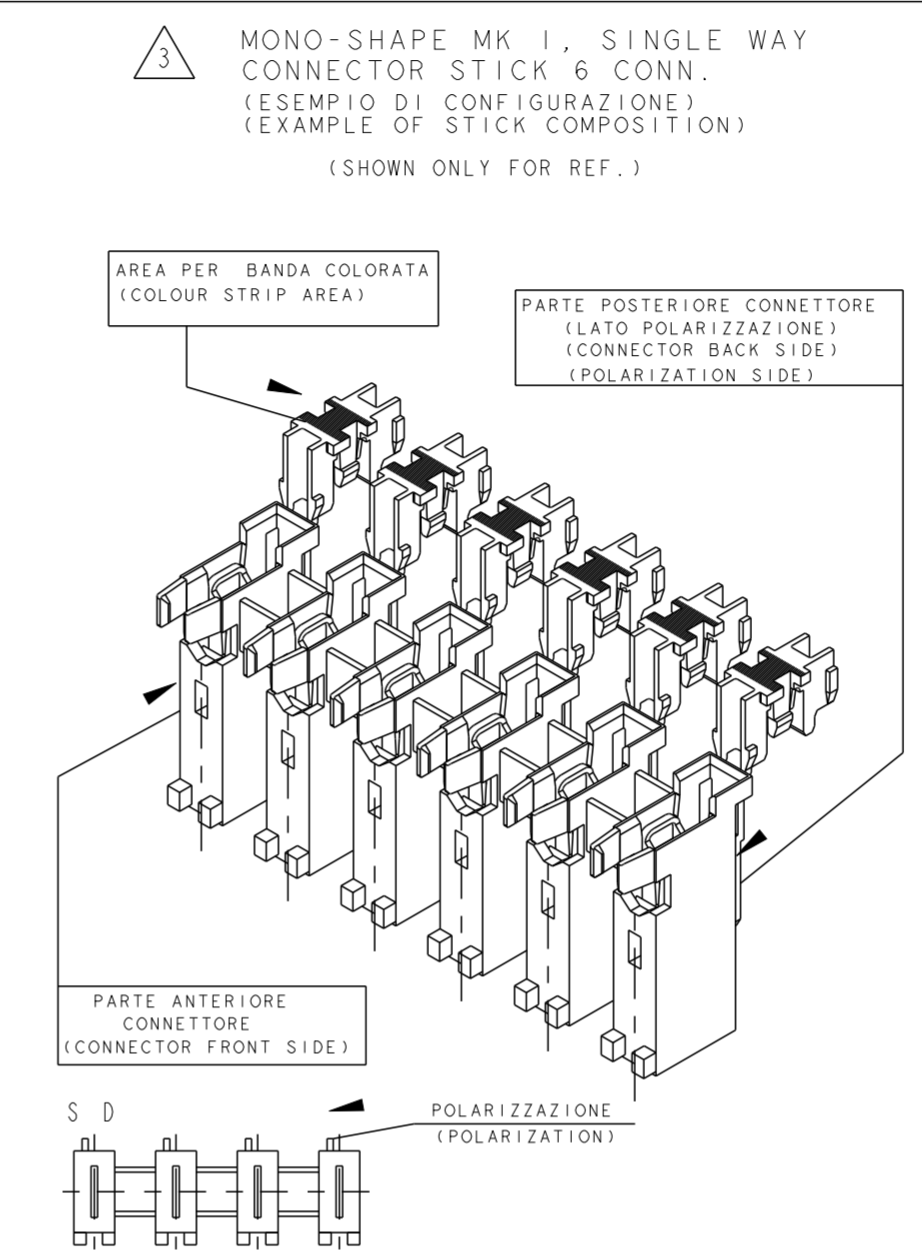
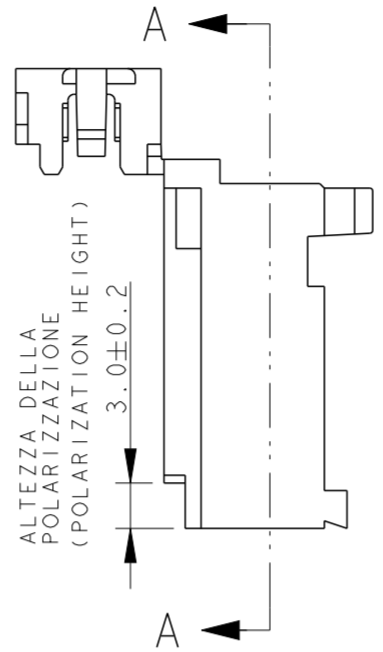
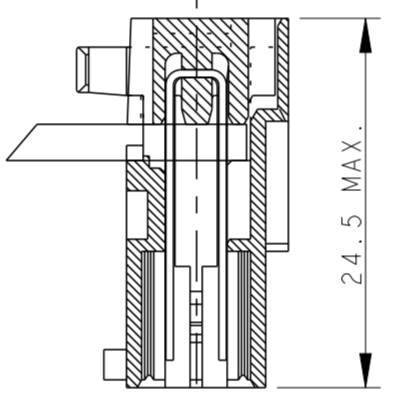
LOC		DIST		REVISIONS			
P	LTR	DESCRIPTION	DATE	DWN	APVD		
H11	ECR-22-134514		12APR2022	SM	FL		
H12	ECR-22-162194		31JAN2023	SM	FL		
H13	ECR-23-172797		20APR2023	DC	FL		
H14	REVISED PER ECR-23-193138		01DEC2023	AK	DC		



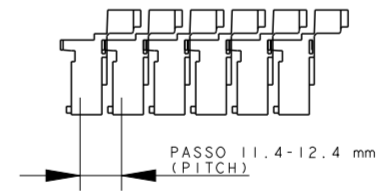
DETTAGLIO DEL CONTATTO, DIMENSIONI RIFERITE AL COMPONENTE INSERITO IN CAVITÀ (ENLARGED VIEW OF TAB CONTACT DIM. REFERRED TO CONTACT INSERTED IN THE HOUSING CAVITY)



CONNETTORE TERMINATO (TERMINATED CONNECTOR)



- 1 MARCHIO DI FABBRICA. (TRADEMARK)
- 2 NON ANCORA RILASCIATO IN PRODUZIONE (NOT YET RELEASED FOR PRODUCTION)
- 3 STATO DI FORNITURA: CONFEZIONAMENTO STICK DI 6 CONNETTORI IN VASSOI + SCATOLA (PACKAGING: "6 CONNECTOR STICK VERSION, ON TRAY PLUS CARTON BOX")

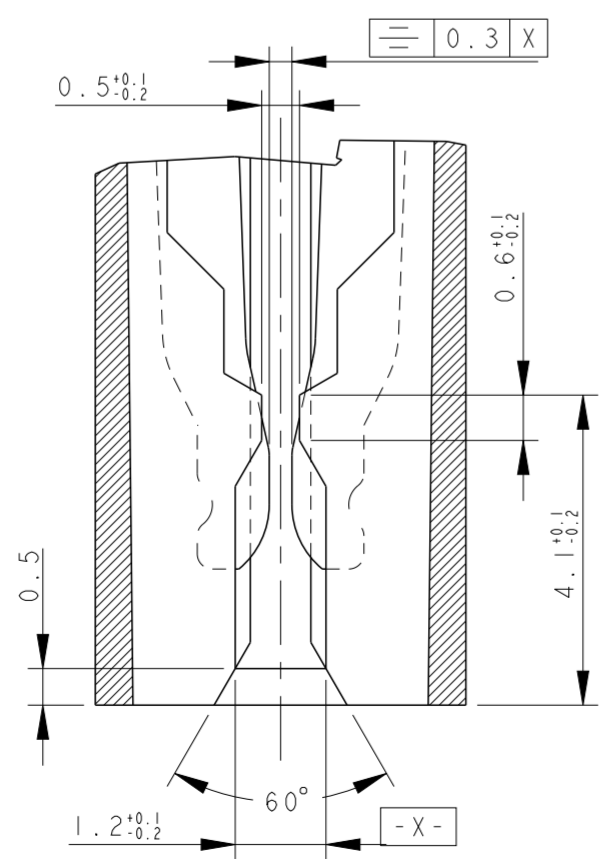
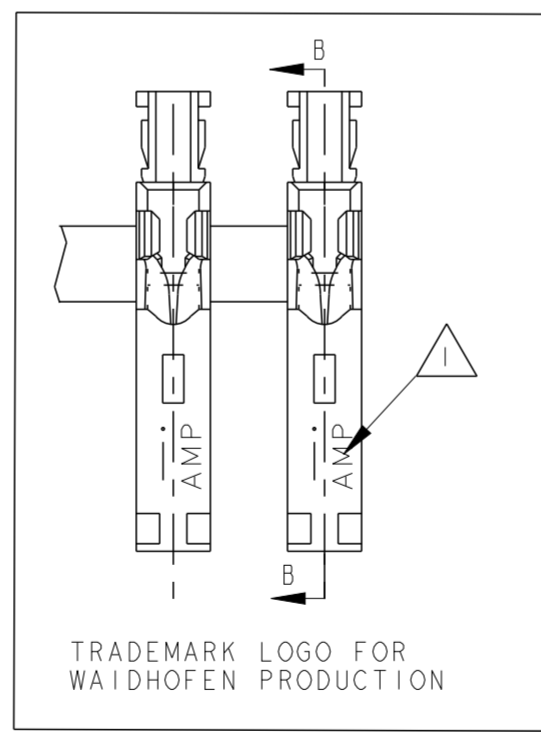


- 4 CONFEZIONAMENTO IN STRISCIA DI CONNETTORI SINGOLI IN VASSOI+SCATOLA (PACKAGING: SINGLE CONNECTOR IN STRIP, ON TRAY PLUS CARTON BOX)

5) APPROVAZIONE VDE, FILE N. 3905 (VDE APPROVAL, FILE N. 3905)

- 6 PRELIMINARY NOT FOR PRODUCTION

ITEM	DENOMINAZIONE	FINITURA / COLORE (FINISH / COLOUR)	MATERIALE (MATERIAL)	DIAM. ISOLANTE (INS. DIA. RANGE)	RANGO FILO (WIRE RANGE)
2	BLOCCETTO (HOUSING)	NATURALE (NATURAL)	POLIAMIDE 6.6 20%C.vetro (PA 6.6 Glassfiber Filled)	3.0 mm	0.5-1.5 mm ²
1	CONTATTO (CONTACT)	STAGNATO (TIN-PLATED)	OTTONE (BRASS)		



SECTION A-A SCALE 10:1

THIS DRAWING IS A CONTROLLED DOCUMENT.

DIMENSIONS: mm	TOLERANCES UNLESS OTHERWISE SPECIFIED:	DWN G. ENDRIZZI 23JULY97	CHK G. VIGNOLI 23JULY97	APVD G. TURCO 23JULY97	NAME
0 PLC ±.3	1 PLC ±.	PRODUCT SPEC 108-20065			TE Connectivity MONO SHAPE MK I SINGLE WAY CONN. ASSEMBLY
2 PLC ±.	3 PLC ±.	APPLICATION SPEC 114-20017			
4 PLC ±.	ANGLES ±2	WEIGHT	SCALE NO		SHEET 1 OF 2
MATERIAL SEE TABLE	FINISH SEE TABLE	CUSTOMER DRAWING	A200779C-282086		REV H14

THIS DRAWING IS UNPUBLISHED. RELEASED FOR PUBLICATION 20
 © COPYRIGHT 20 ALL RIGHTS RESERVED.

REVISIONS							
LOC	DIST	P	LTR	DESCRIPTION	DATE	DWN	APVD
-	-			SEE SHEET 1			

OBSOLETE

NO. OF POSITION	CONFIGURATION (VIEW FROM THE TOP)	CONNECT. PART NUMBER (STICK VERSION 6 CONN.)	PART REV.	POLARIZ. POSITION BACK SIDE	STRIP COLOR CODE
6 X 1		2293382-1	H	-	-

OBSOLETE

NO. OF POSITION	CONFIGURATION (VIEW FROM THE TOP)	CONNECT. PART NUMBER (STICK VERSION 6 CONN.)	PART REV.	POLARIZ. POSITION BACK SIDE	STRIP COLOR CODE
6 X 1		4-282086-1 (REPLACED BY 1-282086-1)	A	-	-
6 X 1		4-282086-2 (REPLACED BY 1-282086-2)	A	IS	BLACK
6 X 1		4-282086-3 (REPLACED BY 1-282086-3)	A	ID	ORANGE

C

NO. OF POSITION	CONFIGURATION (VIEW FROM THE TOP)	CONNECT. PART NUMBER (SINGLE PIECE VERSION)	PART REV.	POLARIZ. POSITION BACK SIDE	STRIP COLOR CODE
1		1-2293382-1	H	-	-
1		2-2293382-1	H	IS	BLACK

OBSOLETE

NUMERO DI VIE (NO. OF POSITION)	CONFIGURAZIONE (VISTA DALL'ALTO) CONFIGURATION (VIEW FROM THE TOP)	CODICE CONNETTORE (CONNECT. PART NUMBER) VERSIONE IN STICK 6 CONN. (STICK VERSION 6 CONN.)	PART REV.	POSIZIONE POLARIZ. (LATO POSTERIORE) POLARIZ. POSITION BACK SIDE	MARCHIATURA CON BANDA COLORATA STRIP COLOUR CODE
6 X 1		282086-1 282086-4 282086-5 282086-6	H	-	- VERDE (GREEN) BLU (BLUE) VIOLA (VIOLET)
6 X 1		282086-2	H	IS	NERO (BLACK)
6 X 1		282086-3	H	ID	ARANCIO (ORANGE)

B

OBSOLETE

NUMERO DI VIE (NO. OF POSITION)	CONFIGURAZIONE (VISTA DALL'ALTO) CONFIGURATION (VIEW FROM THE TOP)	CODICE CONNETTORE (CONNECT. PART NUMBER) VERSIONE PEZZO SINGOLO (SINGLE PIECE VERSION)	PART REV.	POSIZIONE POLARIZ. (LATO POSTERIORE) POLARIZ. POSITION BACK SIDE	MARCHIATURA CON BANDA COLORATA STRIP COLOUR CODE
1		1-282086-7	B	-	-
1		1-282086-8	B	IS	NERO (BLACK)
1		1-282086-9	B	ID	ARANCIO (ORANGE)

A

THIS DRAWING IS A CONTROLLED DOCUMENT.		DWN G. ENDRIZZI 23 JULY 97	TE Connectivity MONO SHAPE MK I SINGLE WAY CONN. ASSEMBLY	
DIMENSIONS: mm		CHK G. VIGNOLI 23 JULY 97		
TOLERANCES UNLESS OTHERWISE SPECIFIED:		APVD G. TURCO 23 JULY 97		
0 PLC ±.3 1 PLC ± 2 PLC ± 3 PLC ± 4 PLC ± ANGLES ±2 FINISH		PRODUCT SPEC 108-20065		
MATERIAL SEE TABLE		APPLICATION SPEC 114-20017	SIZE A2	CAGE CODE 00779
SEE TABLE		WEIGHT -	DRAWING NO. C-282086	RESTRICTED TO -
CUSTOMER DRAWING			SCALE NO	SHEET 2 OF 2
			REV H14	