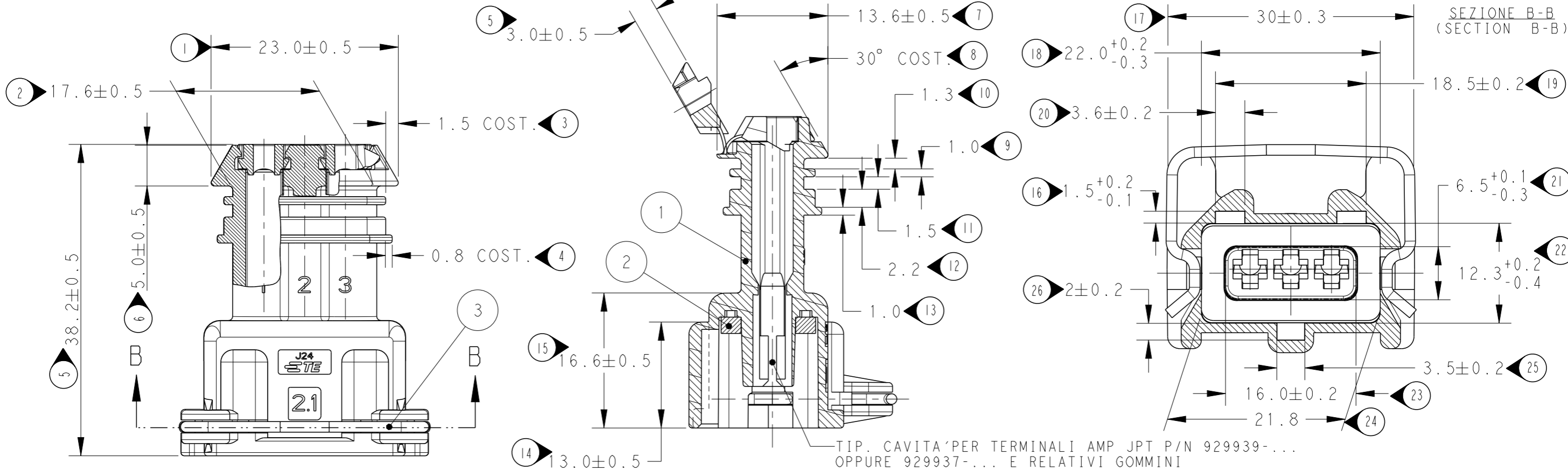


P	LTR	DESCRIPTION	DATE	DWN	APVD
P2		REVISED PER ECO-17-008827	29 JUN 2017	AP	MP

CONNECTOR TIPO A (CON MOLLA DI RITEGNO ESTERNA)
CONNECTOR TYPE B (WITH EXTERNAL SPRING)

SECTION A-A

SEZIONE B-B
(SECTION B-B)



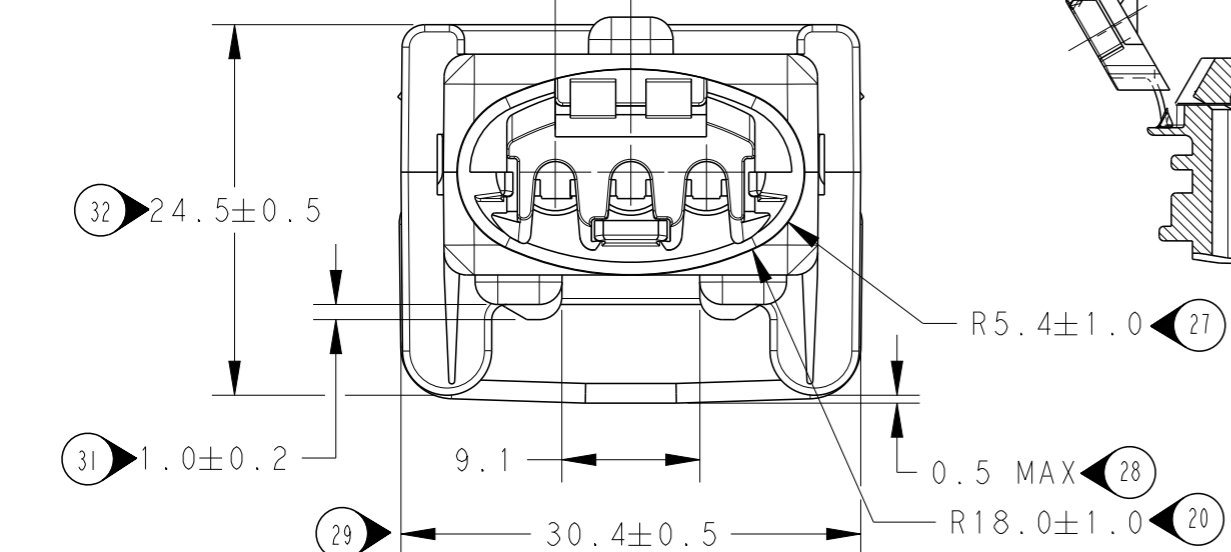
TIP. CAVITA' PER TERMINALI AMP JPT P/N 929939-...
OPPURE 929937-... E RELATIVI GOMMINI
AMP P/N 828904-1, 828905-1, 282536-1.
TAPPO CAVITA' P/N 828906-2
(TYP. CAV FOR JPT CONT. P/N 929939-...
A/O 929937-... AND REL. SINGLE WIRE SEAL
P/N 828904-1, 828905-1, 282536-1
CAVITY PLUG P/N 828906-2)

DIAM (ISOLANTE) (INS. DIA. RANGE)	RANGE FILO (WIRE RANGE)
1.5-3.0 mm (RED. INS. CABLE)	0.5-2.5 mm ²

33) PASSO 5.0±0.15 TIP
(PITCH 5.0±0.15 TYP)

ASSE CONNETTORE
(CONNECTOR CENTER LINE)

ASSE CAVITA'
(CAVITY CENTER LINE)



NERO (BLACK)	2-282191-1 P1	P1
NERO (BLACK)	1-282191-1	
ROSSO (RED)	---	
GIALLO (YELLOW)	---	
MARRONE (BROWN)	282191-6	
BLU (BLUE)	282191-5	
VERDE (GREEN)	282191-4	
NATURALE (NATUR)	282191-3	
GRIGIO (GREY)	282191-2	1
NERO (BLACK)	282191-1	

SUPERSEDED BY 282191-1		CUSTOMER DRAWING FOR REFERENCE ONLY		DISEGNO PER CLIENTE SOLO PER RIFERIMENTO		
3	\\\\\\\\\\\\\\\\	ACCIAIO INOX (STAINLESS STEEL)	MOLLA (SPRING)			
2	NATURALE (NATURAL)	GOMMA SILICONE (SILICONE RUBER)	GUARNIZIONE (RUBBER GASKET)			
1	\\\\\\\\\\\\\\\\	PA 6.6	BLOCCHETTO (HOUSING)			
COLORE (COLOR)	NUMERO PART NO.	ASSY REV	NO. (ITEM)	FINITURA/COLORE (FINISH/COLOUR)	MATERIALE (MATERIAL)	DESCRIZIONE (DESCRIPTION)

1) DIFFERISCE DAL ...-1 ESCLUSIVAMENTE PER IL PACKAGING
(DIFFERS FROM ...-1 ONLY FOR PACKAGING DETAILS)

2) PER DIMENSIONI CONTROPARTE VEDERE FOGLIO 2
(FOR COUNTERPART DIMENSIONS SEE SHEET 2)

THIS DRAWING IS A CONTROLLED DOCUMENT.

DIMENSIONS: mm	TOLERANCES UNLESS OTHERWISE SPECIFIED:
0 PLC ±-	±0.3
1 PLC ±-	
2 PLC ±-	
3 PLC ±-	
4 PLC ±-	
ANGLES	±2°
MATERIAL	FINISH

DWN	9 NOV 90
E. CINI	
CHK	13 OCT 92
C. TARTARI	
APVD	-
PRODUCT SPEC	-
APPLICATION SPEC	-
WEIGHT	-
CUSTOMER DRAWING	

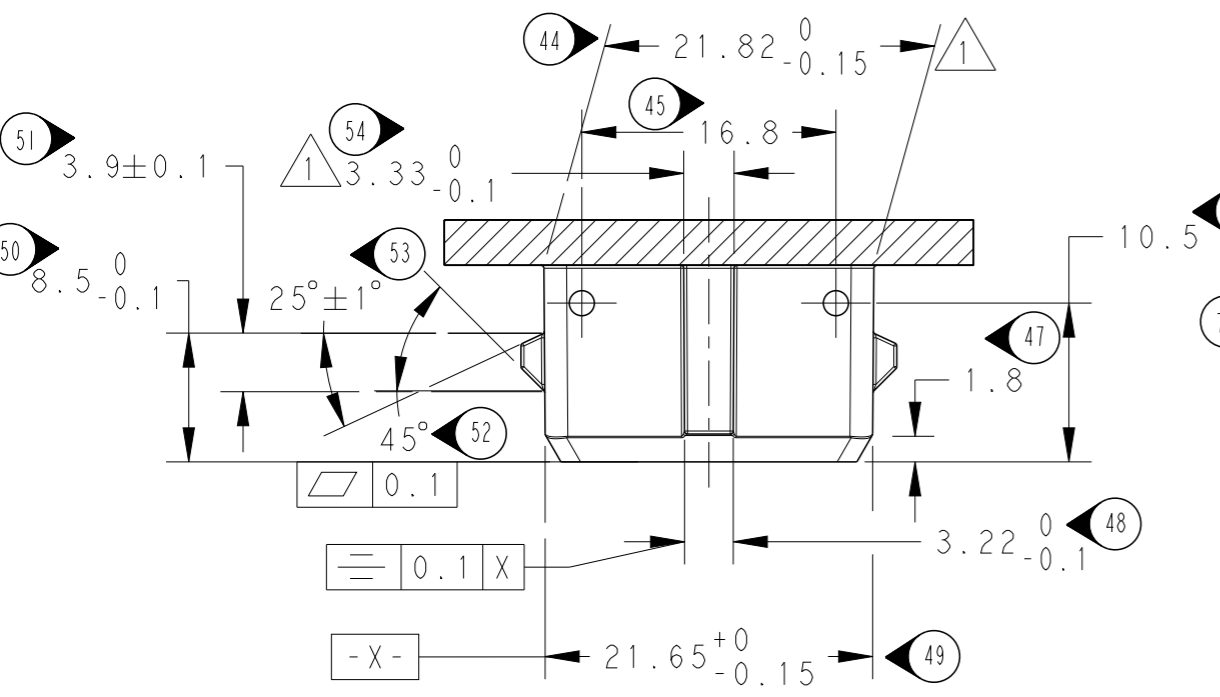
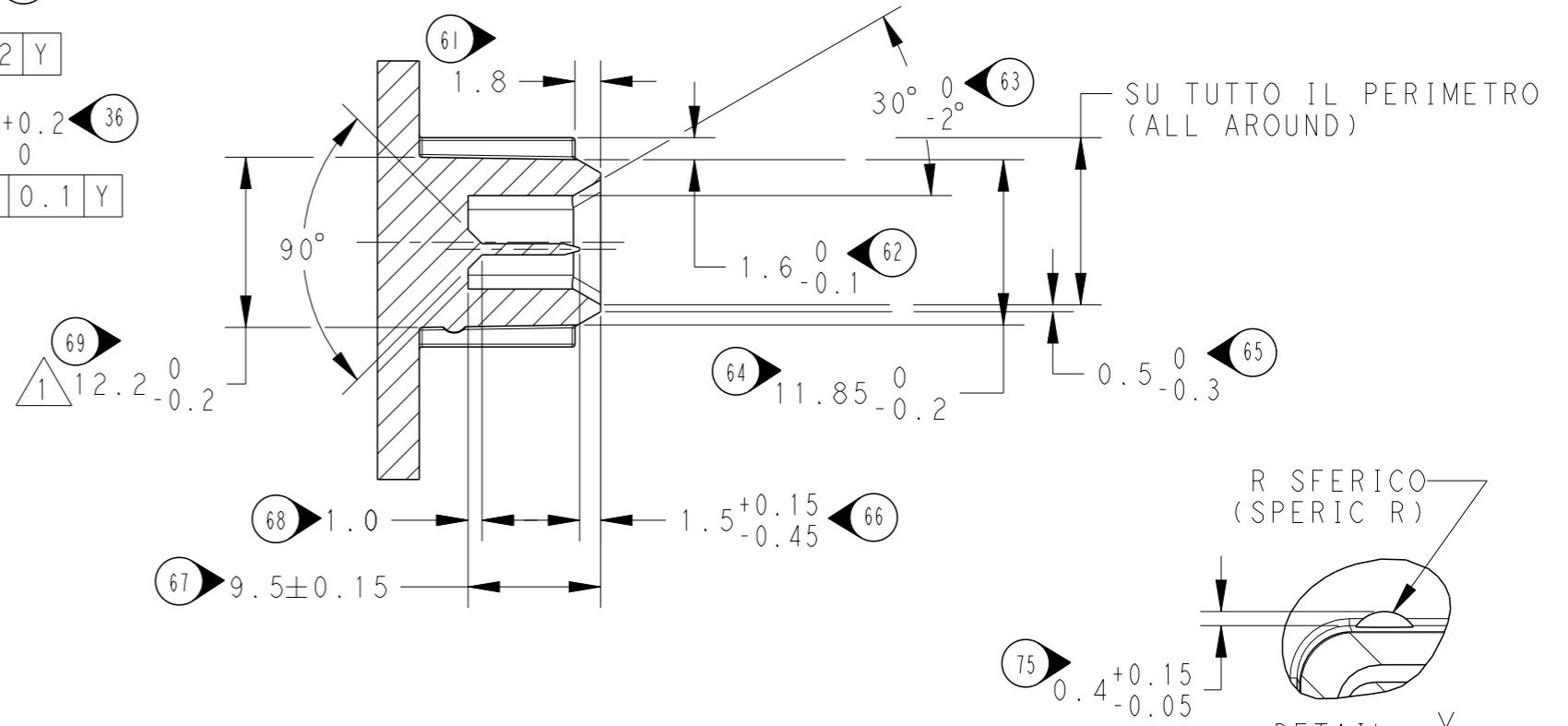
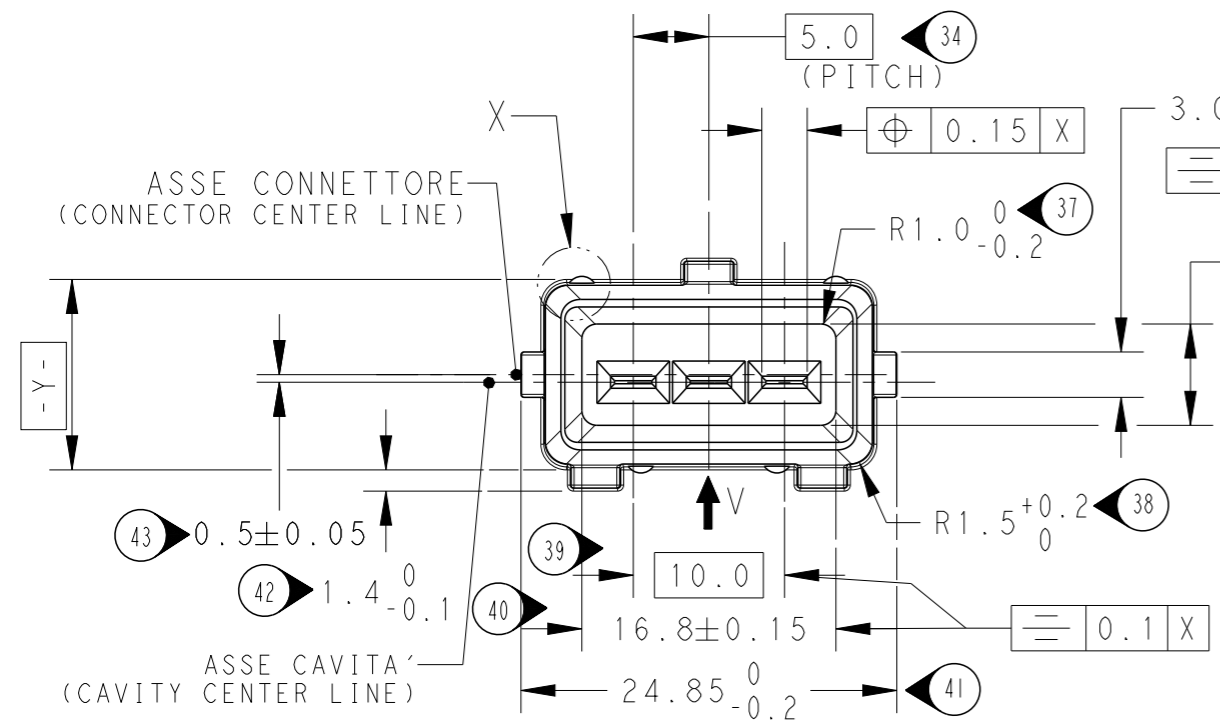
STE TE Connectivity

NAME: 3 W. SPLASH PROOF CONN. ASS'Y WITH SECONDARY LOCK

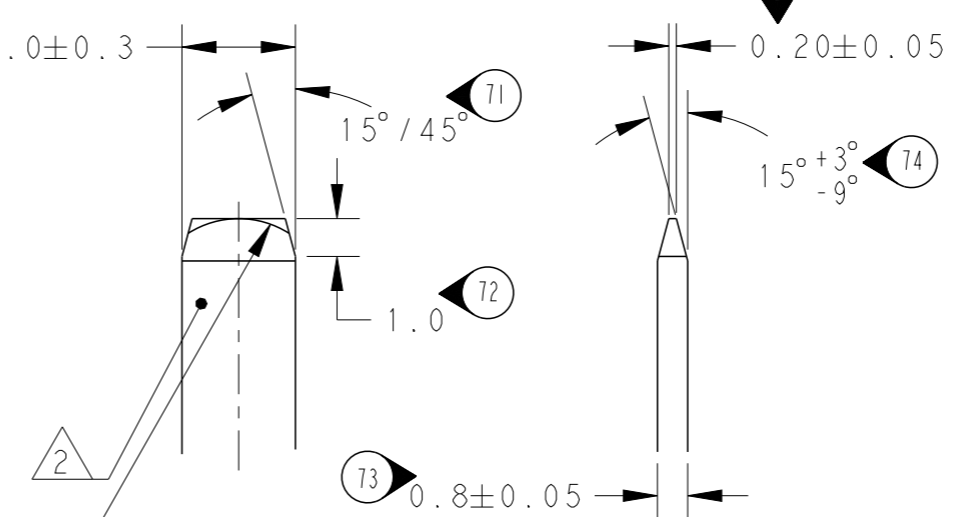
SIZE	CAGE CODE	DRAWING NO	RESTRICTED TO
A3	-	C-282191	-

SCALE: 2:1 SHEET: 1 OF 2 REV: P2

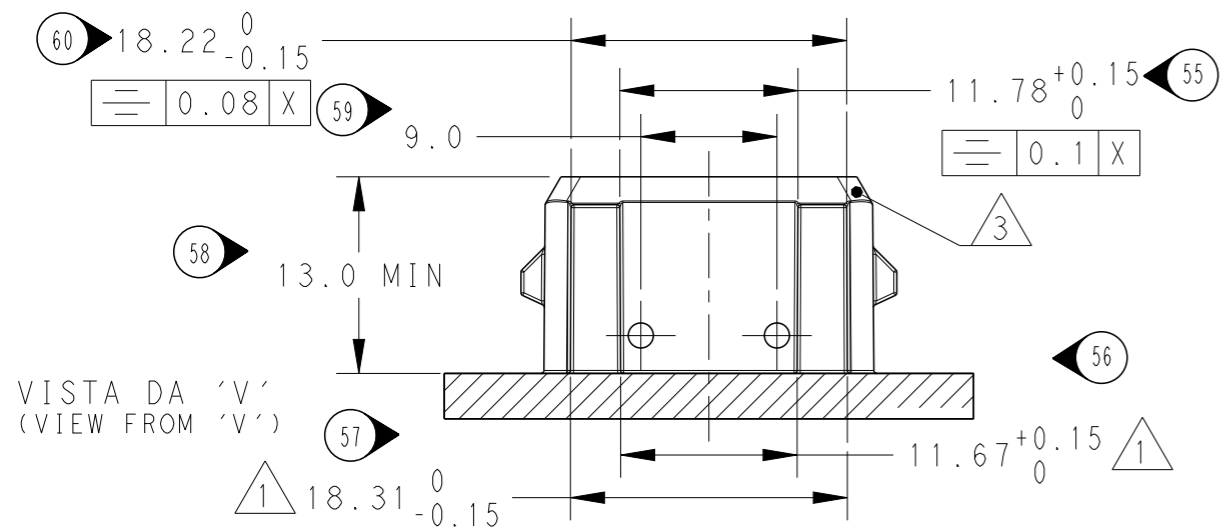
P	LTR	DESCRIPTION	DATE	DWN	APVD
-	-	SEE SHEET 1	-	-	-



DETT. LINGUETTA TAB-SCALA 5:1- (TAB DETAIL)



- 1 QUOTE APPLICABILI PER SFORMATURA PEZZO (DRAFT PERMITTED TO FACILITATE REMOVAL OF PART FROM THE MOULD)
- 2 MATERIALE LINGUETTE, LEGA DI RAME STAGNATA, ES. OTTONE STAGNATO. (TAB CONTACT MATERIAL, TIN PLATED COPPER ALLOY, E.G BRASS TIN PLATED)
- 3 MATERIALE BLOCCHETTO, TERMOPLASTICO CARICATO FIBRA VETRO. (HOUSING MATERIAL, THERMOPLASTIC, GLASS FIBER FILLED)



FORMA ALTERNATIVA PERMESSA CON RAGGIO (ALLOWED ALTERNATIVE PROFILE WITH RADIUS)

VISTA DA 'V' (VIEW FROM 'V')

THIS DRAWING IS A CONTROLLED DOCUMENT.		DWN	9 NOV 90		STE TE Connectivity
		CHK	13 OCT 92		
		APVD	-		
DIMENSIONS: mm		TOLERANCES UNLESS OTHERWISE SPECIFIED:		NAME	
		0 PLC ±-		3 W.SPLASH PROOF CONN.ASS'Y	
		1 PLC ±0.3		WITH SECONDARY LOCK	
		2 PLC ±-		SIZE	
		3 PLC ±-		CAGE CODE	
		4 PLC ±-		DRAWING NO	
		ANGLES ±2°		RESTRICTED TO	
MATERIAL		FINISH		WEIGHT	
				A3 - C-282191-C	
				SCALE 5:2 SHEET 2 OF 2 REV P2	
				CUSTOMER DRAWING	