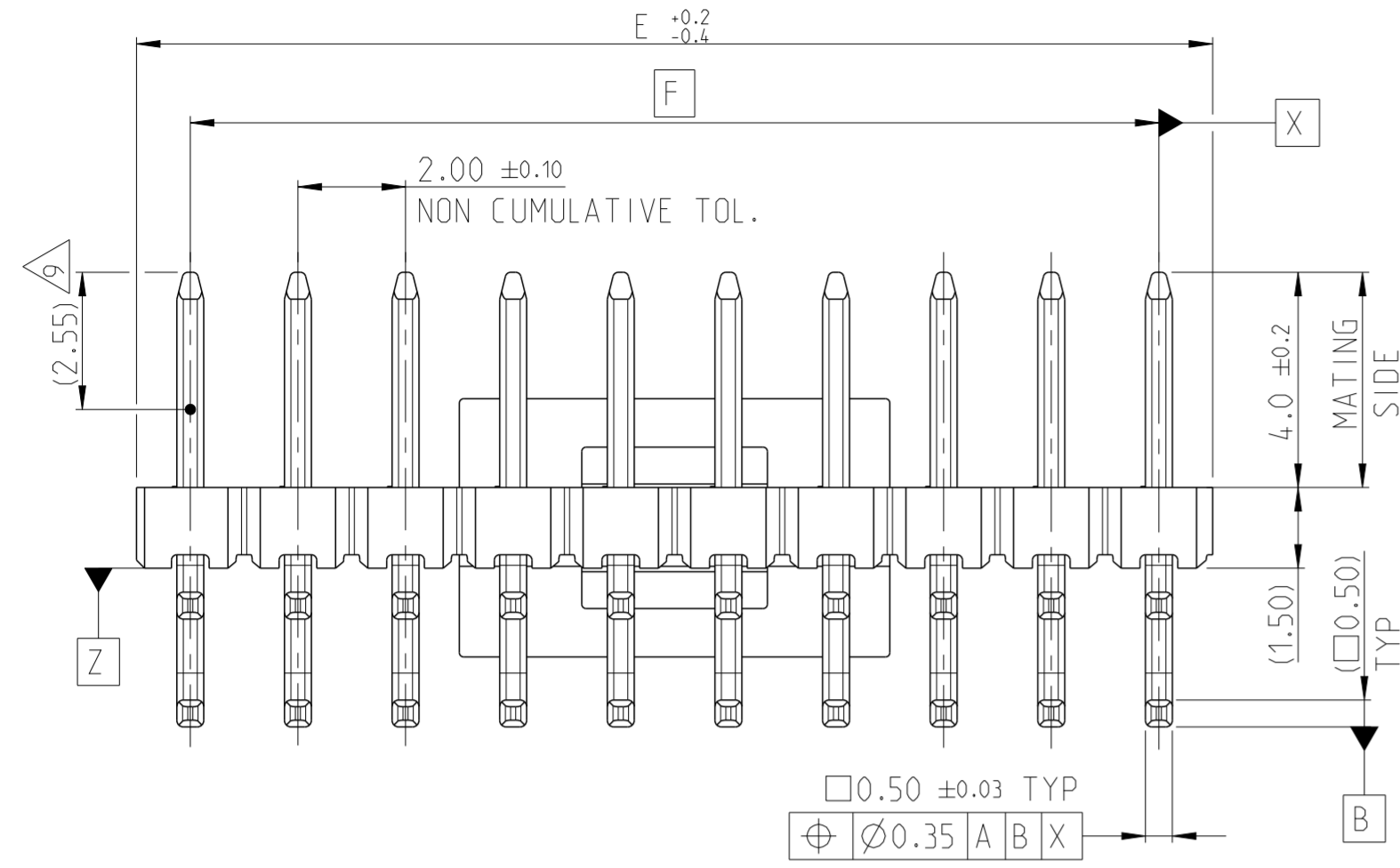


REVISIONS				
P	LTR	DESCRIPTION	DATE	APVD
	A	RELEASE TO PRODUCTION	19OCT2023	Ka SS
	A1	DIMENSION TOLERANCE CORRECTION	29FEB2024	KA SS



NOTES:

1. MATERIAL: HOUSING & P&P CAP : HIGH TEMPERATURE THERMOPLASTIC, UL94-V0; COLOR- BLACK
POST: PHOSPHOR BRONZE

FINISH:

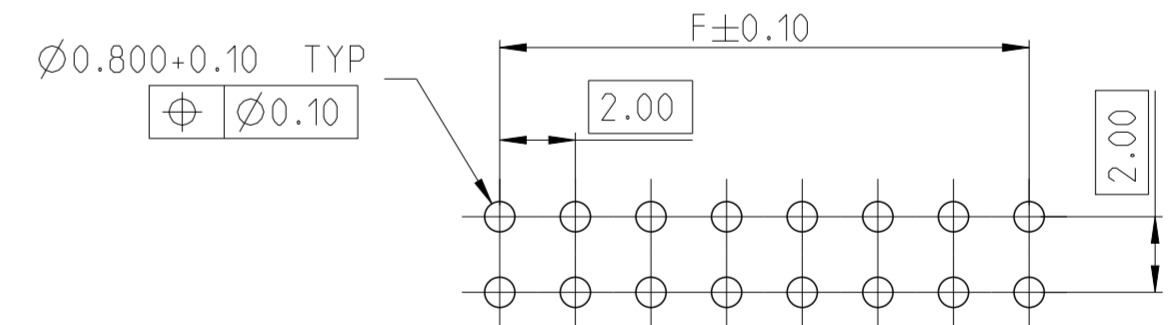
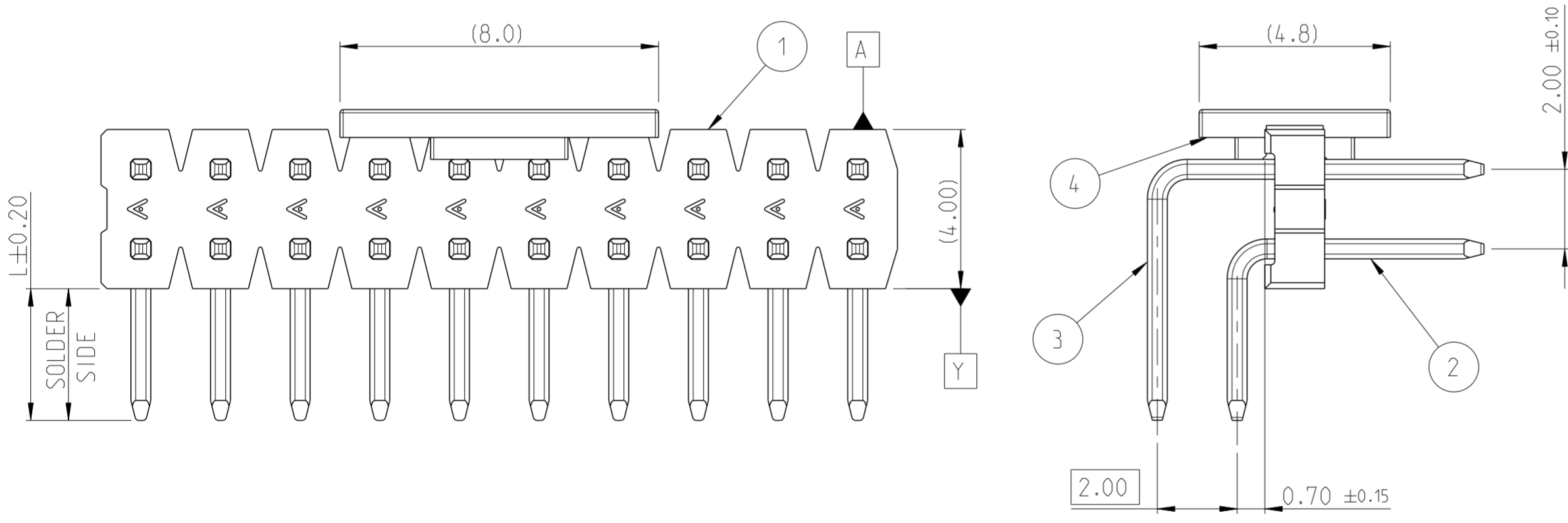
- 2 3-5µm TIN OVER MIN. 1.27µm NICKEL UNDER PLATING
 - 3 MATING SIDE: MIN. 0.1µm SELECTIVE GOLD OVER MIN. 1.27µm NICKEL UNDER PLATING
SOLDER SIDE: 4-6µm TIN OVER MIN. 1.27µm NICKEL UNDER PLATING
 - 4 MATING SIDE: MIN. 0.38µm SELECTIVE GOLD OVER MIN. 1.27µm NICKEL UNDER PLATING
SOLDER SIDE: 4-6µm TIN OVER MIN. 1.27µm NICKEL UNDER PLATING
 - 5 MATING SIDE: MIN. 0.76µm SELECTIVE GOLD OVER MIN. 1.27µm NICKEL UNDER PLATING
SOLDER SIDE: 4-6µm TIN OVER MIN. 1.27µm NICKEL UNDER PLATING
6. FOR SMART PART NUMBER, NO. OF POSITIONS PER CONNECTOR HAS TO BE ADDED NEXT TO NO. OF ROWS (2MM-HB-D__-HT-_-_-_-). REFER SHEET 2 NOMENCLATURE.
FOR EXAMPLE: 2MM-HB-D02-HT-01-T-TB = 4 POSITION.
2MM-HB-D25-HT-01-T-TB = 50 POSITION.

7. PACKAGING: A. TAPE & REEL WITH (W/) CAP.
B. TUBE WITH (W/) & WITHOUT (W/O) CAP.

8 FOR TUBE PACKAGING W/CAP:
NO PICK AND PLACE FOR -4 AND -6 POS. HEADER POSITION STARTS FROM -8 POS.

9 PLATING THICKNESS MEASUREMENT POINT REFERENCE FOR SELECTIVE GOLD PLATING AREA

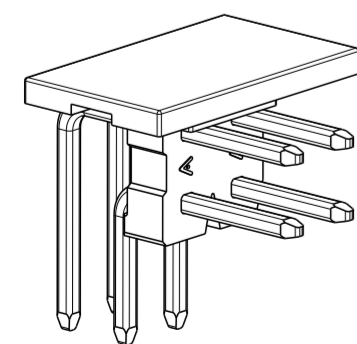
10. "L" DENOTES TAIL LENGTH



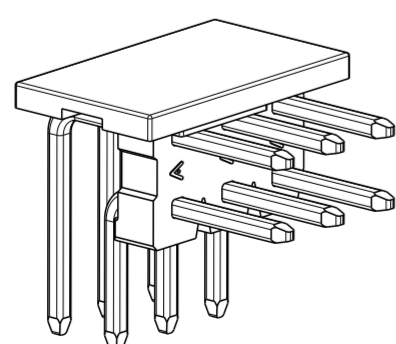
RECOMMENDED PCB HOLE PATTERN FOR THROUGH HOLE WAVE

CAP	4
POST 2	3
POST 1	2
HOUSING	1
DESCRIPTION	ITEM NO.

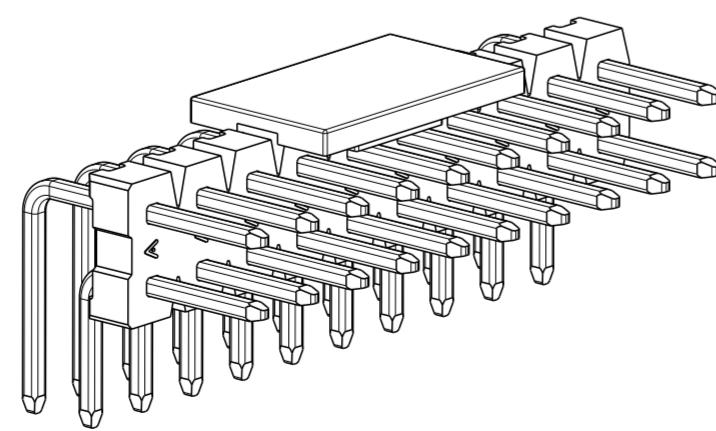
SCALE 5:1



-4 AS SHOWN



-6 AS SHOWN




2- -0 AS SHOWN

THIS DRAWING IS A CONTROLLED DOCUMENT.		DWN 11FEB2016 RAKSHITH NAYAK	 TE Connectivity	NAME	
DIMENSIONS: mm		CHK 14APR2016 KARTHIK		AMPMODU 2mm, BREAKAWAY HEADER DUAL ROW RIGHT ANGLE	
TOLERANCES UNLESS OTHERWISE SPECIFIED:		APVD 14APR2016 PRASHANTH	PRODUCT SPEC	SIZE	RESTRICTED TO
0 PLC ±		114-64040	APPLICATION SPEC	CAGE CODE	DRAWING NO.
1 PLC ±0.1		114-64040	WEIGHT	A2100779	C=2823126
2 PLC ±0.05			CUSTOMER DRAWING	SCALE 8:1	SHEET 1 OF 3
3 PLC ±					REV A1
4 PLC ±					
ANGLES ±2°					
FINISH SEE NOTES					

P	LTR	DESCRIPTION	DATE	DWN	APVD
-	-	SEE SHEET 1	-	-	-

SMART PART NUMBER
 2MM - HB - D - HT - - - - -

PACKAGING

TB	Tube without cap
TBP	Tube with cap 
TRP	Tape and reel with cap

PLATING

T	Tin
F	0.1µm selective Gold (Gold flash)
M	0.38µm selective Gold
H	0.76µm selective Gold

TAIL LENGTH (L)

01	2.2 mm
02	2.8 mm

PRODUCT SERIES

2MM	AMPMODU 2mm series
-----	--------------------

GENDER / TYPE

HB	Breakaway headers
----	-------------------

NUMBER OF ROWS

D	Double row
---	------------

NUMBER OF PINS PER ROW


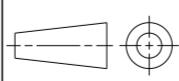
XX	02 through 25 (enter two digits)
----	-------------------------------------

ORIENTATION & TERMINATION

HT	Horizontal through hole
----	-------------------------

SMART PN EXAMPLES :

1. AMPMODU 2MM, BREAKAWAY HEADER, DOUBLE ROW, 02 POSITION PER ROW, RIGHT ANGLE MOUNT, 2.2MM SOLDER TAIL LENGTH, TIN PLATING, TUBE W/O CAP
 2MM-HB-D02-HT-01-T-TB
2. AMPMODU 2MM, BREAKAWAY HEADER, DOUBLE ROW, 25 POSITION PER ROW, RIGHT ANGLE MOUNT, 2.8MM SOLDER TAIL LENGTH, 0.76µm SELECTIVE GOLD PLATING, TAPE AND REEL WITH CAP
 2MM-HB-D25-HT-02-H-TRP


THIS DRAWING IS A CONTROLLED DOCUMENT.		DWN RAKSHITH NAYAK 11 FEB 2016	 TE Connectivity	
DIMENSIONS: mm		CHK KARTHIK 14 APR 2016		
TOLERANCES UNLESS OTHERWISE SPECIFIED:		APVD PRASHANTH 14 APR 2016	NAME AMPMODU 2mm, BREAKAWAY HEADER DUAL ROW RIGHT ANGLE	
		PRODUCT SPEC 108-64040	RESTRICTED TO -	
MATERIAL SEE NOTES		APPLICATION SPEC 114-64040	SIZE A2	CAGE CODE 100779
FINISH SEE NOTES		WEIGHT	DRAWING NO C-2823126	SCALE 1:1
		CUSTOMER DRAWING	SHEET 2 OF 3	REV A1

REVISIONS

P	LTR	DESCRIPTION	DATE	DWN	APVD
-	-	SEE SHEET 1	-	-	-

TE INTERNAL BASE NO.	PACKAGING TYPE	MATING SIDE PLATING FINISH	SOLDER TAIL LENGTH "L"	SMART PN	48	50	25	50	5-	-0
2823126	TUBE W/O CAP	TIN \triangle 2	2.2	2MM-HB-DXX-HT-01-T-TB	46	48	24	48	4-	-8
2823763	TUBE W/ CAP		2.2	2MM-HB-DXX-HT-01-T-TBP	44	46	23	46	4-	-6
2823489	TAPE AND REEL W/ CAP		2.2	2MM-HB-DXX-HT-01-T-TRP	42	44	22	44	4-	-4
2823128	TUBE W/O CAP		2.8	2MM-HB-DXX-HT-02-T-TB	40	42	21	42	4-	-2
2823779	TUBE W/ CAP		2.8	2MM-HB-DXX-HT-02-T-TBP	38	40	20	40	4-	-0
2823493	TAPE AND REEL W/ CAP		2.8	2MM-HB-DXX-HT-02-T-TRP	36	38	19	38	3-	-8
2823130	TUBE W/O CAP	SELECTIVE Au flash 0.1 μ m \triangle 3	2.2	2MM-HB-DXX-HT-01-F-TB	34	36	18	36	3-	-6
2823764	TUBE W/ CAP		2.2	2MM-HB-DXX-HT-01-F-TBP	32	34	17	34	3-	-4
2823490	TAPE AND REEL W/ CAP		2.2	2MM-HB-DXX-HT-01-F-TRP	30	32	16	32	3-	-2
2823132	TUBE W/O CAP		2.8	2MM-HB-DXX-HT-02-F-TB	28	30	15	30	3-	-0
2823780	TUBE W/ CAP		2.8	2MM-HB-DXX-HT-02-F-TBP	26	28	14	28	2-	-8
2823494	TAPE AND REEL W/ CAP		2.8	2MM-HB-DXX-HT-02-F-TRP	24	26	13	26	2-	-6
2823134	TUBE W/O CAP	SELECTIVE Au 0.38 μ m \triangle 4	2.2	2MM-HB-DXX-HT-01-M-TB	22	24	12	24	2-	-4
2823765	TUBE W/ CAP		2.2	2MM-HB-DXX-HT-01-M-TBP	20	22	11	22	2-	-2
2823491	TAPE AND REEL W/ CAP		2.2	2MM-HB-DXX-HT-01-M-TRP	18	20	10	20	2-	-0
2823136	TUBE W/O CAP		2.8	2MM-HB-DXX-HT-02-M-TB	16	18	9	18	1-	-8
2823781	TUBE W/ CAP		2.8	2MM-HB-DXX-HT-02-M-TBP	14	16	8	16	1-	-6
2823495	TAPE AND REEL W/ CAP		2.8	2MM-HB-DXX-HT-02-M-TRP	12	14	7	14	1-	-4
2823138	TUBE W/O CAP	SELECTIVE Au 0.76 μ m \triangle 5	2.2	2MM-HB-DXX-HT-01-H-TB	10	12	6	12	1-	-2
2823766	TUBE W/ CAP		2.2	2MM-HB-DXX-HT-01-H-TBP	8	10	5	10	1-	-0
2823492	TAPE AND REEL W/ CAP		2.2	2MM-HB-DXX-HT-01-H-TRP	6	8	4	8		-8
2823140	TUBE W/O CAP		2.8	2MM-HB-DXX-HT-02-H-TB	4	6	3	6		-6
2823782	TUBE W/ CAP		2.8	2MM-HB-DXX-HT-02-H-TBP	2	4	2	4		-4
2823496	TAPE AND REEL W/ CAP		2.8	2MM-HB-DXX-HT-02-H-TRP						

DIM "F"	DIM "E"	PINS PER ROW "XX"	POSITION PER CONNECTOR	TE INTERNAL PART NO.
48	50	25	50	5- -0
46	48	24	48	4- -8
44	46	23	46	4- -6
42	44	22	44	4- -4
40	42	21	42	4- -2
38	40	20	40	4- -0
36	38	19	38	3- -8
34	36	18	36	3- -6
32	34	17	34	3- -4
30	32	16	32	3- -2
28	30	15	30	3- -0
26	28	14	28	2- -8
24	26	13	26	2- -6
22	24	12	24	2- -4
20	22	11	22	2- -2
18	20	10	20	2- -0
16	18	9	18	1- -8
14	16	8	16	1- -6
12	14	7	14	1- -4
10	12	6	12	1- -2
8	10	5	10	1- -0
6	8	4	8	-8
4	6	3	6	-6
2	4	2	4	-4

THIS DRAWING IS A CONTROLLED DOCUMENT.		DWN 11 FEB 2016 RAKSHITH NAYAK	 TE Connectivity	
DIMENSIONS: mm		CHK 14 APR 2016 KARTHIK		
TOLERANCES UNLESS OTHERWISE SPECIFIED:		APVD 14 APR 2016 PRASHANTH	NAME AMPMODU 2mm, BREAKAWAY HEADER DUAL ROW RIGHT ANGLE	
0 PLC ±		PRODUCT SPEC 108-64040	SIZE A2	
1 PLC ±0.1		APPLICATION SPEC 114-64040	CAGE CODE 00779	DRAWING NO C-2823126
2 PLC ±0.05		WEIGHT	RESTRICTED TO -	
3 PLC ±		CUSTOMER DRAWING	SCALE 5:1	SHEET 3 OF 3
4 PLC ±				REV A1
ANGLES ±2°				
FINISH				
MATERIAL SEE NOTES				
SEE NOTES				