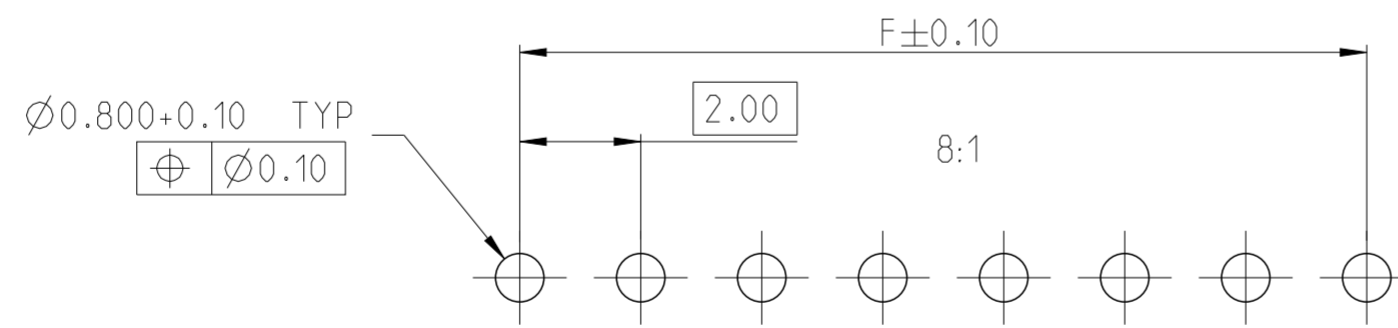
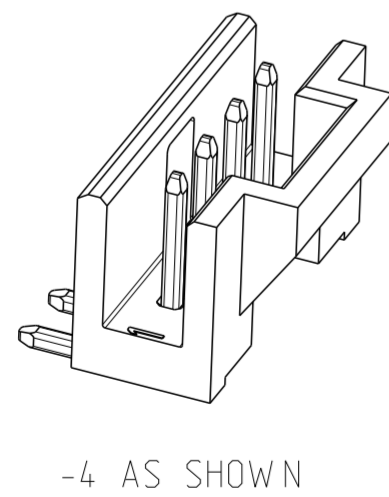
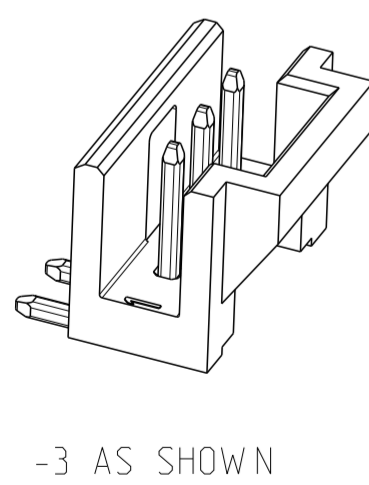
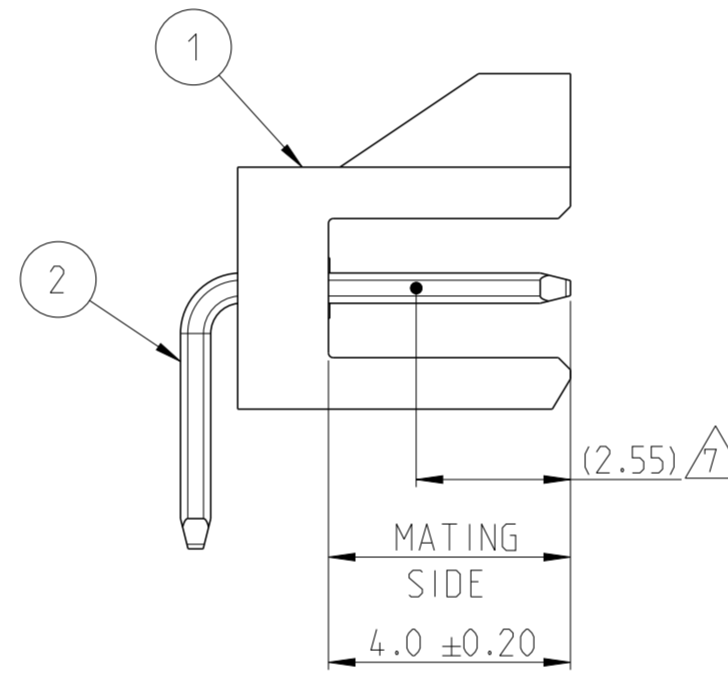
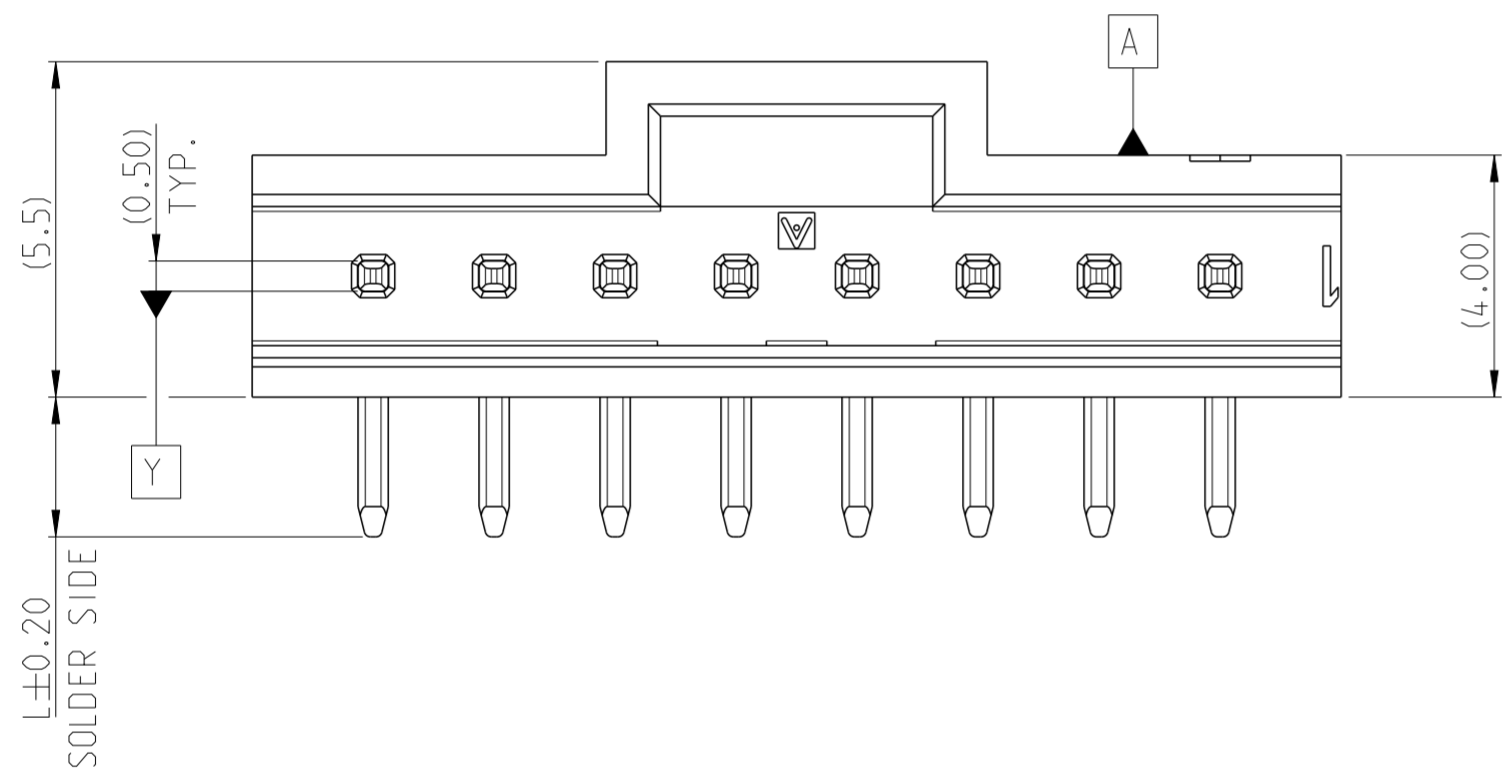
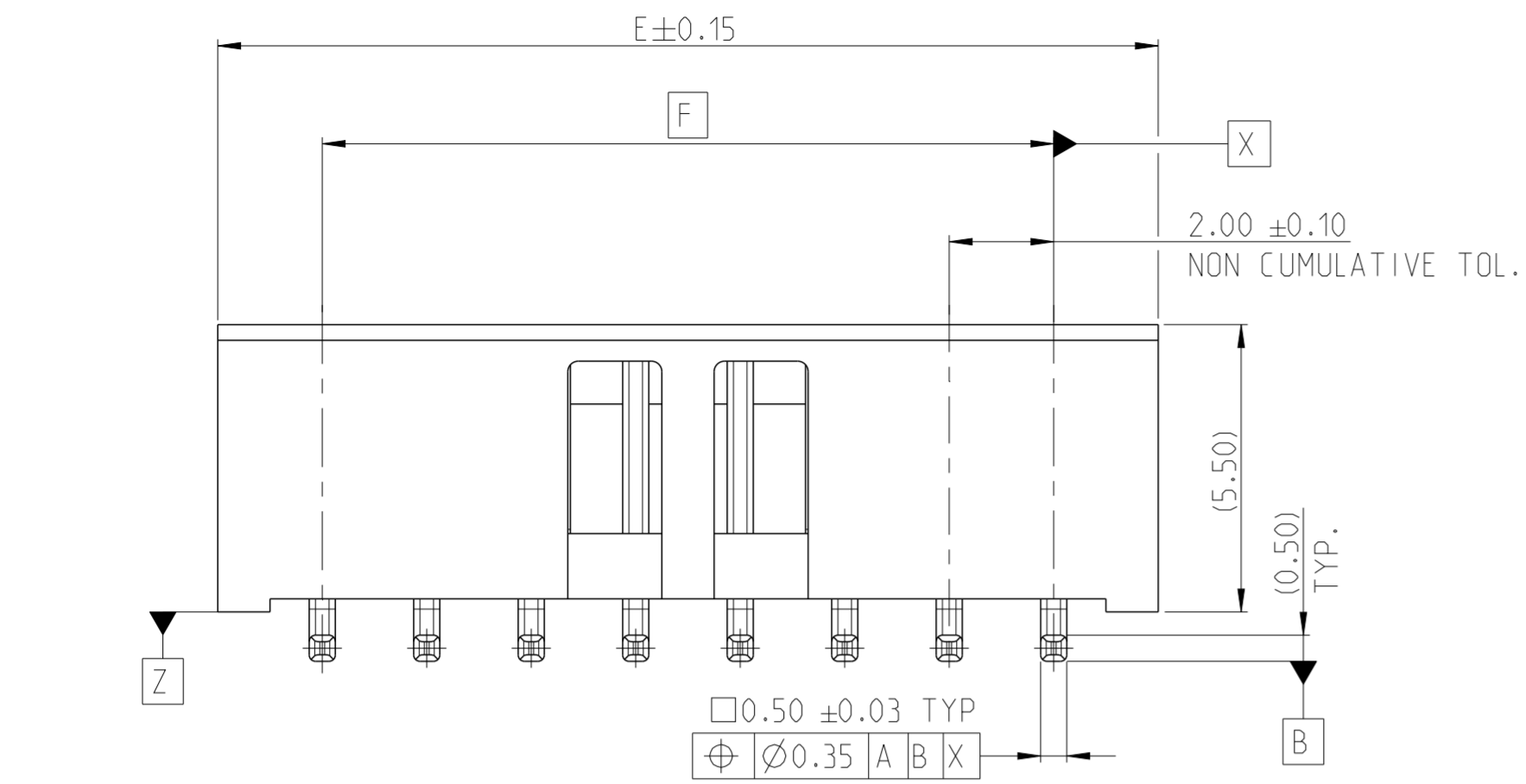


P	LTR	DESCRIPTION	DATE	DWN	APVD
	A	RELEASE TO PRODUCTION	20SEP2022	DK	PS
	A1	BASE NO ADDED WITH REFERENCE TO THE SMART PN	03NOV2023	Ka	SS



RECOMMENDED PCB HOLE PATTERN FOR THROUGH HOLE WAVE

NOTES:

1. MATERIAL: HOUSING & P&P CAP: HIGH TEMPERATURE THERMO PLASTIC, UL94-V0; COLOR-BLACK
POST: PHOSPHOR BRONZE

FINISH:

2 3-5 µm TIN OVER MIN. 1.27 µm NICKEL UNDER PLATING.

3 MATING SIDE: MIN. 0.38 µm SELECTIVE GOLD OVER MIN. 1.27 µm NICKEL UNDER PLATING.
SOLDER SIDE: 4-6 µm TIN OVER MIN. 1.27 µm NICKEL UNDER PLATING.

4 MATING SIDE: MIN. 0.76 µm SELECTIVE GOLD OVER MIN. 1.27 µm NICKEL UNDER PLATING.
SOLDER SIDE: 4-6 µm TIN OVER MIN. 1.27 µm NICKEL UNDER PLATING.

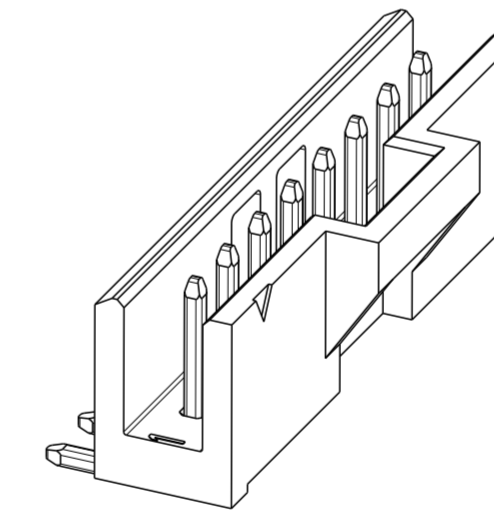
5. FOR SMART PART NUMBER, NO. OF POSITIONS PER CONNECT HAS TO BE ADDED
NEXT TO NO. OF ROWS (2MM-HSP-S__HT-__-__-__). REFER SHEET 2 NOMENCLATURE.

FOR EXAMPLE: 2MM-HSP-S03-HT-01-T-TB = 3 POSITION.
2MM-HSP-S16-HT-01-T-TB = 16 POSITION.

6. PACKAGING: A. TAPE & REEL WITH (W/) CAP.
B. TUBE WITH (W/) AND WITHOUT (W/O) CAP.


7 PLATING THICKNESS MEASUREMENT POINT REFERENCE FOR SELECTIVE GOLD PLATING AREA

8. "L" DENOTES TAIL LENGTH



-8 AS SHOWN

POST	2
HOUSING	1
DESCRIPTION	ITEM NO.

THIS DRAWING IS A CONTROLLED DOCUMENT.		DWN RAKESH 7 JUL 2016	 TE Connectivity	NAME		
DIMENSIONS: mm		CHK KARTHIK J K 7 JUL 2016		AMPMODU 2mm, SHROUDED MTE HEADER SINGLE ROW, RIGHT ANGLE		
TOLERANCES UNLESS OTHERWISE SPECIFIED:		APVD PRASHANTH S 7 JUL 2016		SIZE	CAGE CODE	DRAWING NO
0 PLC ±	1 PLC ±0.1	PRODUCT SPEC	108-64040		-	
2 PLC ±0.05	3 PLC ±	APPLICATION SPEC	114-64040		-	
4 PLC ±	ANGLES ±2°	FINISH	WEIGHT		-	
MATERIAL SEE NOTES		CUSTOMER DRAWING		SCALE 8:1	SHEET 1 OF 3	REV A1

P	LTR	DESCRIPTION	DATE	DWN	APVD
-	-	SEE SHEET 1	-	-	-

SMART PART NUMBER
 2MM - HSP - S ___ - HT - ___ - ___ - ___

PRODUCT SERIES

2MM AMPMODU 2mm series

GENDER / TYPE

HSP Shrouded headers for positive latch

NUMBER OF ROWS

S Single row

NUMBER OF PINS PER ROW

XX 03 through 16 (enter two digits)

ORIENTATION & TERMINATION

HT Horizontal through hole

PACKAGING

TB	Tube without cap
TR	Tape and reel without cap

PLATING


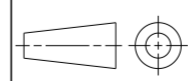
T	Tin
M	0.38 μm selective Gold
H	0.76 μm selective Gold

TAIL LENGTH (L)

01	2.2 mm
02	2.8 mm

SMART PN EXAMPLES :

1. AMPMODU 2MM, SHROUDED HEADER CENTER LATCH VERSION, SINGLE ROW, 03 POSITION PER ROW, RIGHT ANGLE MOUNT, 2.2MM SOLDER TAIL LENGTH, TIN PLATING, TUBE W/O CAP
 2MM-HSP-S03-HT-01-T-TB
2. AMPMODU 2MM, SHROUDED HEADER CENTER LATCH VERSION, SINGLE ROW, 16 POSITION PER ROW, RIGHT ANGLE MOUNT, 2.8MM SOLDER TAIL LENGTH, 0.76 μm SELECTIVE GOLD PLATING, TAPE AND REEL WITHOUT CAP
 2MM-HSP-S16-HT-02-H-TR


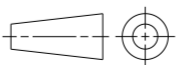
THIS DRAWING IS A CONTROLLED DOCUMENT.		DWN RAKESH 7 JUL 2016	 TE Connectivity	
DIMENSIONS: mm		CHK KARTHIK J K 7 JUL 2016		
		APVD PRASHANTH S 7 JUL 2016	NAME AMPMODU 2mm, SHROUDED MTE HEADER SINGLE ROW, RIGHT ANGLE	
TOLERANCES UNLESS OTHERWISE SPECIFIED:		PRODUCT SPEC 108-64040	RESTRICTED TO -	
0 PLC ±		APPLICATION SPEC 114-64040	SIZE A2	CAGE CODE 00779
1 PLC ±0.1		WEIGHT	DRAWING NO C-2823187	SCALE 1:1
2 PLC ±0.05		CUSTOMER DRAWING	SHEET 2 OF 3	REV A1
3 PLC ±				
4 PLC ±				
ANGLES ±2°				
FINISH				
MATERIAL SEE NOTES				
SEE NOTES				

REVISIONS

P	LTR	DESCRIPTION	DATE	DWN	APVD
-		SEE SHEET 1	-	-	-

TE INTERNAL BASE NO.	PACKAGING TYPE	MATING SIDE PLATING FINISH	SOLDER TAIL LENGTH "L"	SMART PN
2823187	TUBE W/O CAP	TIN \triangle_2	2.2	2MM-HSP-SXX-HT-01-T-TB
2823541	TAPE AND REEL W/O CAP		2.2	2MM-HSP-SXX-HT-01-T-TR
2823403	TUBE W/O CAP		2.8	2MM-HSP-SXX-HT-02-T-TB
2823544	TAPE AND REEL W/O CAP		2.8	2MM-HSP-SXX-HT-02-T-TR
2823191	TUBE W/O CAP	SELECTIVE Au 0.38 μm \triangle_3	2.2	2MM-HSP-SXX-HT-01-M-TB
2823542	TAPE AND REEL W/O CAP		2.2	2MM-HSP-SXX-HT-01-M-TR
2823404	TUBE W/O CAP		2.8	2MM-HSP-SXX-HT-02-M-TB
2823545	TAPE AND REEL W/O CAP		2.8	2MM-HSP-SXX-HT-02-M-TR
2823194	TUBE W/O CAP	SELECTIVE Au 0.76 μm \triangle_4	2.2	2MM-HSP-SXX-HT-01-H-TB
2823543	TAPE AND REEL W/O CAP		2.2	2MM-HSP-SXX-HT-01-H-TR
2823405	TUBE W/O CAP		2.8	2MM-HSP-SXX-HT-02-H-TB
2823546	TAPE AND REEL W/O CAP		2.8	2MM-HSP-SXX-HT-02-H-TR

30	34	16	1- -6
28	32	15	1- -5
26	30	14	1- -4
24	28	13	1- -3
22	26	12	1- -2
20	24	11	1- -1
18	22	10	1- -0
16	20	9	-9
14	18	8	-8
12	16	7	-7
10	14	6	-6
8	12	5	-5
6	10	4	-4
4	8	3	-3
DIM "F"	DIM "E"	NUMBER OF PINS PER ROW "XX"	TE INTERNAL PART NO.

THIS DRAWING IS A CONTROLLED DOCUMENT.		DWN RAKESH 7 JUL 2016	 TE Connectivity		
DIMENSIONS: mm		CHK KARTHIK J K 7 JUL 2016			
TOLERANCES UNLESS OTHERWISE SPECIFIED:		APVD PRASHANTH S 7 JUL 2016	NAME AMPMODU 2mm,SHROUDED MTE HEADER SINGLE ROW, RIGHT ANGLE		
		PRODUCT SPEC 108-64040	RESTRICTED TO -		
MATERIAL SEE NOTES		APPLICATION SPEC 114-64040	SIZE A2	CAGE CODE 00779	DRAWING NO C-2823187
FINISH SEE NOTES		WEIGHT	SCALE 8:1	SHEET 3 OF 3	REV A1
		CUSTOMER DRAWING			