

SCALA NON IMPEGNATIVA
(DO NOT SCALE)
DIMENSIONI IN mm
(DIMENSIONS IN mm)

METRIC

PROIEZIONE EUROPEA
(EUROPEAN PROJECTION)

N.5 CAVITA' ADATTE PER CONTATTI:

AMP JUNIOR POWER TIMER P/N 927768-...(*)
CORRISPONDENTE N.° FIAT: 1-23086-90
(ISOL. RIDOTTO FASE 3: Ø2.1 - 3.1 mm)
CON CAVO 1.0 - 2.5mm² OPPURE

AMP JUNIOR POWER TIMER P/N 927773-...(*)
CORRISPONDENTE N.° FIAT: 1-23168-90
(ISOL. STANDARD: Ø2.7 - 4.1 mm)
CON CAVO 1.0 - 2.5mm²

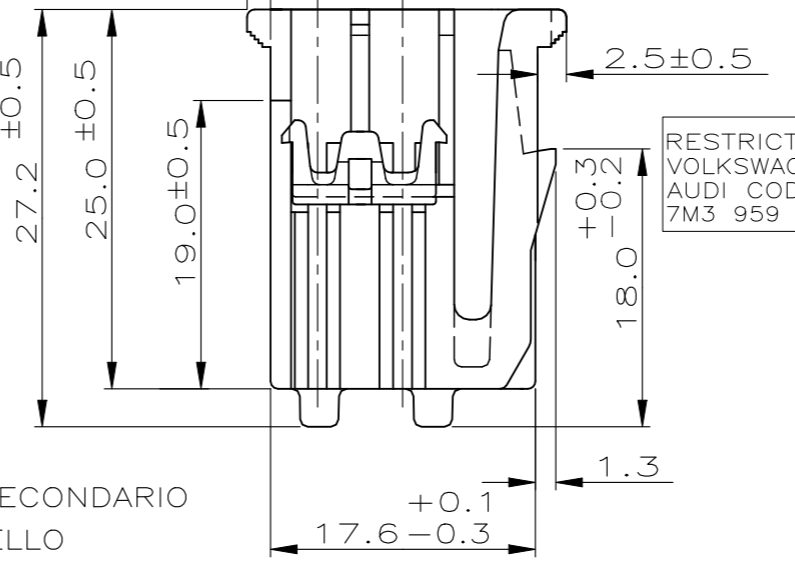
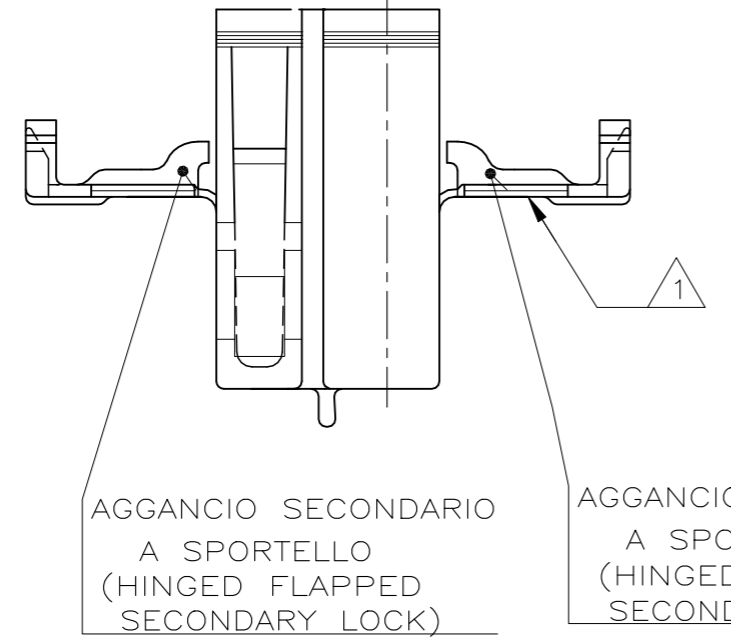
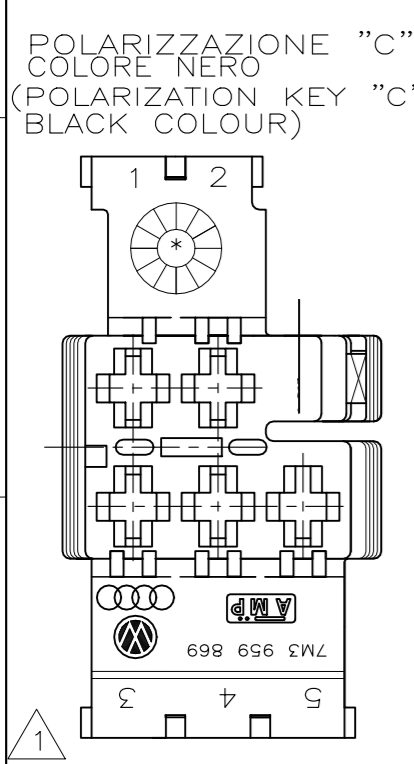
(*) -1: CONTATTI IN CuFe PRE TIN
(*) -3: CONTATTI IN CuSn PRE TIN

(N.5 CAVITIES SUITABLE FOR:

AMP JUNIOR POWER TIMER P/N 927768-...(*)
RELEVANT N.° FIAT: 1-23086-90
REDUCED INSULATION CABLE: Ø2.1 - 3.1 mm
WITH CABLE 1.0 - 2.5mm² OR

AMP JUNIOR POWER TIMER P/N 927773-...(*)
RELEVANT N.° FIAT: 1-23168-90
STANDARD CABLE: Ø2.7 - 4.1 mm
WITH CABLE 1.0 - 2.5mm²

(*) -1: CuFe PRE TIN VERSION
(*) -3: CuSn PRE TIN VERSION)

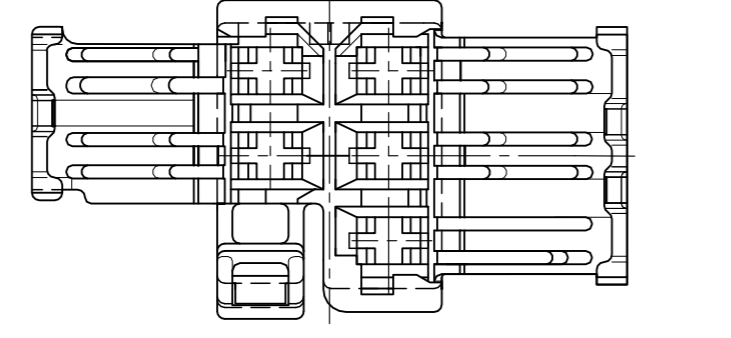


1 POSIZIONE LOGO VOLKSWAGEN AUDI SPEC. 105 14 "TIPO A".
(VOLKSWAGEN AUDI LOGO POSITION, AS PER SPEC. 105 14 TYPE A)

2 OBSOLETE

NERO - BLACK POLARIZZAZIONE "C" (KEY POLARIZATION "C")	PA 6.6 (POLIAMMIDE UNFILLED)	C	1-282539-3
VERDE - GREEN POLARIZZAZIONE "D" (KEY POLARIZATION "D")			282539-4
NERO - BLACK POLARIZZAZIONE "C" (KEY POLARIZATION "C")			2-282539-3
ROSSO - RED POLARIZZAZIONE "B" (KEY POLARIZATION "B")			282539-2
NEUTRO - CLEAR POLARIZZAZIONE "A" (KEY POLARIZATION "A")			282539-1
FINITURA / COLORE (FINISH / COLOUR)	MATERIALE (MATERIAL)	PART REV.	NUMERO (PART NUMBER)

1
DETTAGLIO P/N 1-282539-3
(DETAIL FOR 1-282539-3)



C6	REVISED PER ECN-22-179551	A.P.	18OCT 2022
C5	REVISED PER ECR-07-012032	M.G.	28-5 2007
C4	ADDED NEW DASH,ET00-0023-00	M.P.	17-2 99
C3	REVISED FOR ET00-0158-98	M.P.	19-5 98
C2	REVISED FOR ET00-0349-97	R.M.	29-7 97
C	ADDED NUMBER FOR CAVITY IDENTIFICATION AS PER EC:ET00-0083-95		1995
B	ADDED NUMBER FOR CAVITY IDENTIFICATION AS PER EC:ET00-0178-94		26 JUL.1994
A	IN PRODUCTION (...-1;...-2;...-3; AS PER EC:ET00-0130-94		29 APR.1994
1	WAS PN 92-51194	C.I.	29JUN 1993
REV.	REVISIONI (REVISION RECORD)	DIS. DATA (DR) (DATE)	APP. (APP.)

CUSTOMER DWG. FOR REFERENCE ONLY		DISEGNO PER CLIENTE SOLO PER RIFERIMENTO	
-THIS DRAWING IS UNPUBLISHED-		RELEASE FOR PUBLICATION 19	
© COPYRIGHT 19 BY AMP INCORPORATED, HARRISBURG,PA. ALL INTERNATIONAL RIGHT RESERVED. AMP PRODUCTS MAY BE COVERED BY U.S. AND FOREIGN PATENT AND/OR PATENT PENDING			
TOLLERANZE: SE NON DIVERSAMENTE SPECIFICATO	DIAM. ISOLANTE (INS. DIA. RANGE)	RANGO FILO (WIRE RANGE)	SCALA (SCALE)
(TOLERANCES: UNLESS OTHERWISE SPECIFIED)	//	//	2:1
ANGOLI (ANGLES)	± 2°		
DIS. 16 JULY 1992 (DR.) C.IANNARELLI	DESCRIZIONE (DESCRIPTION) 5 POS. J.P.T.HSG WITH SEC. LOCK FOR CAR ELECTRIC WINDOW		
CONT. 29 JUN.1993 (CHK) C.TARTARI	LOC. SIZE	NUMERO (DWG NO)	REV. FOGLIO (SHEET)
	A3	C-282539	C6 1 (OF) 1



DISTRIBUZIONE (PRINT DIST.)