

TIPICHE CAVITA' ADATTE PER CONTATTI AMP QUADRA LEAF:  
 PN 282117-1 & -2 (w.r. 0.5 - 1.5 mm<sup>2</sup>)

**UNPUBLISHED COPY**  
 THIS INFORMATION IS CONFIDENTIAL AND IS DISCLOSED TO YOU ON CONDITION THAT NO FURTHER DISCLOSURE IS MADE BY YOU TO OTHER THAN AMP PERSONNEL WITHOUT A WRITTEN AUTHORIZATION FROM AMP ITALIA SPA.

BLACK-NERO	PA 6.6 NAT.	282718-2
CLEAR-NEUTRO	POLYAMMIDE PA 6.6 UNFILLED	282718-1
FINITURA / COLORE (FINISH / COLOUR)	MATERIALE (MATERIAL)	NUMERO (PART NUMBER)

CUSTOMER DWG. FOR REFERENCE ONLY  
 DISEGNO PER CLIENTE SOLO PER RIFERIMENTO

B	RELEASED PER EC ET00-0357-95	A.B. 05 FEB 96
A	REVISED FOR FPI	27 OCT '95
5	PN WAS 94-51199 UP DATED TERMINAL PN AND ADDED SECONDARY LOCK RIBS	C.I. 19APR 1995
4	REVISED AND REDRAWN	C.I. 18 MAR. 1995
3	ADDED COUNTERPARTS DIMENSIONS TO MODIFY THEM FOR ACCEPTING NEW CONNECTOR	C.I. 27 JAN. 1995
2	REVISED AND REDRAWN	C.I. 19 JAN. 1995
1	REVISED AND REDRAWN	C.I. 14 JAN. 1995
0	FIRST ISSUE	
REV.	REVISIONI (REVISION RECORD)	DIS. DATA (DR) (DATED)

THIS DRAWING IS UNPUBLISHED	RELEASE FOR PUBLICATION	19
© COPYRIGHT 1995 BY AMP INCORPORATED, HARRISBURG, PA. ALL INTERNATIONAL RIGHT RESERVED. AMP PRODUCTS MAY BE COVERED BY U.S. AND FOREIGN PATENT AND/OR PATENT PENDING.		
TOLLERANZE, SE NON DIVERSAMENTE SPECIFICATO (TOLERANCES, UNLESS OTHERWISE SPECIFIED)	DIAM. ISOLANTE (INS. DIA. RANGE)	RANGO FILO (WIRE RANGE)
± 0.3		
ANGOLI (ANGLES)		SCALA (SCALE)
± 2°		2:1

<b>AMP</b> AMP ITALIA S.p.A. Corso F.lli Cervi, 15 COLLEGNO (TORINO)	
DIS. 2 JAN. 1995 (DR.)	C. IANNARELLI
DESCRIZIONE (DESCRIPTION)	B POS. QUADRA LEAF CONN. HSG. FOR HAZARD SWITCH.
LOC. SIZE NUMERO (DWG NO)	I A3 C-282718
REV.	B
FOGLIO (SHEET)	DI 2

PROGR. 94-036-1  
 IPL: 330

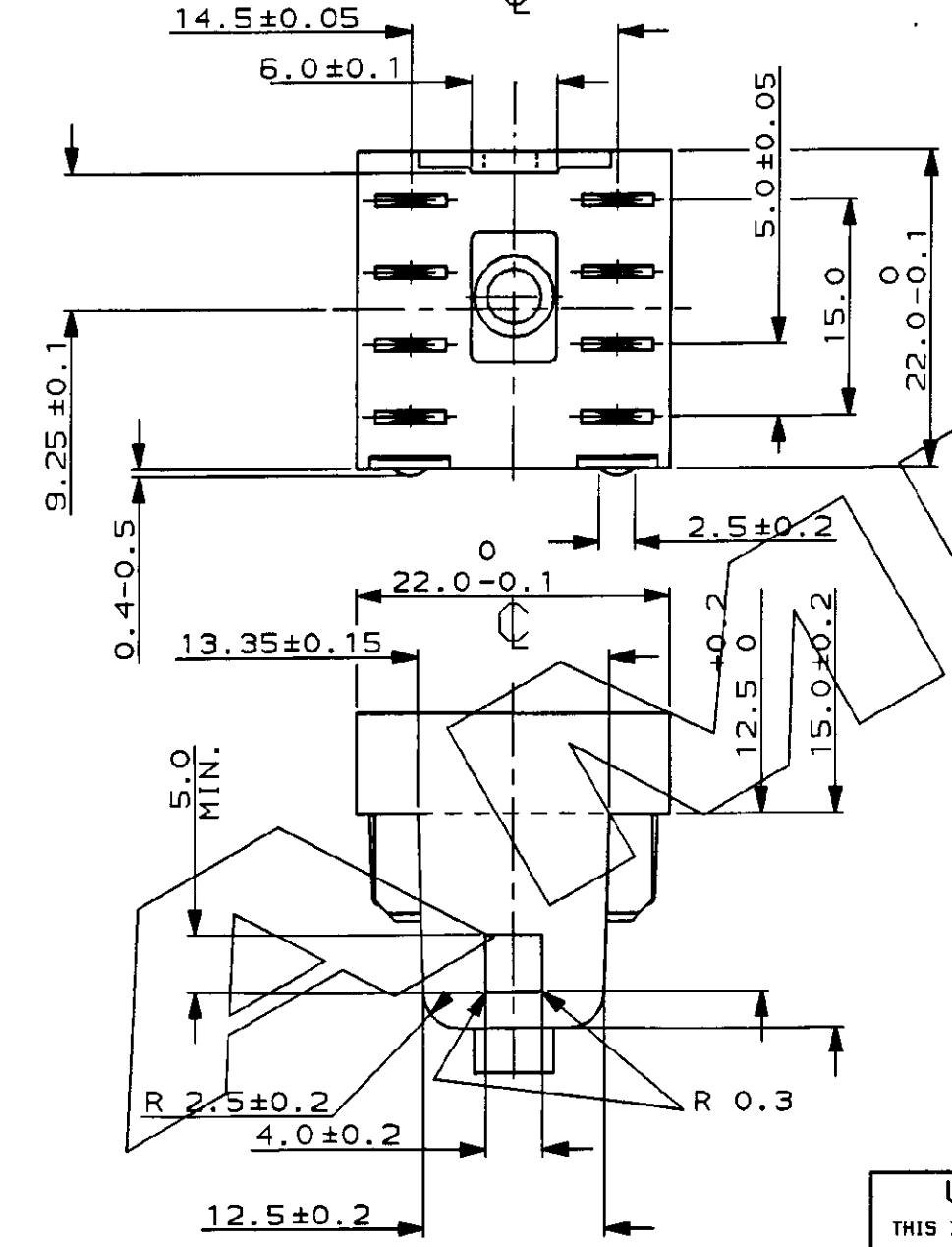
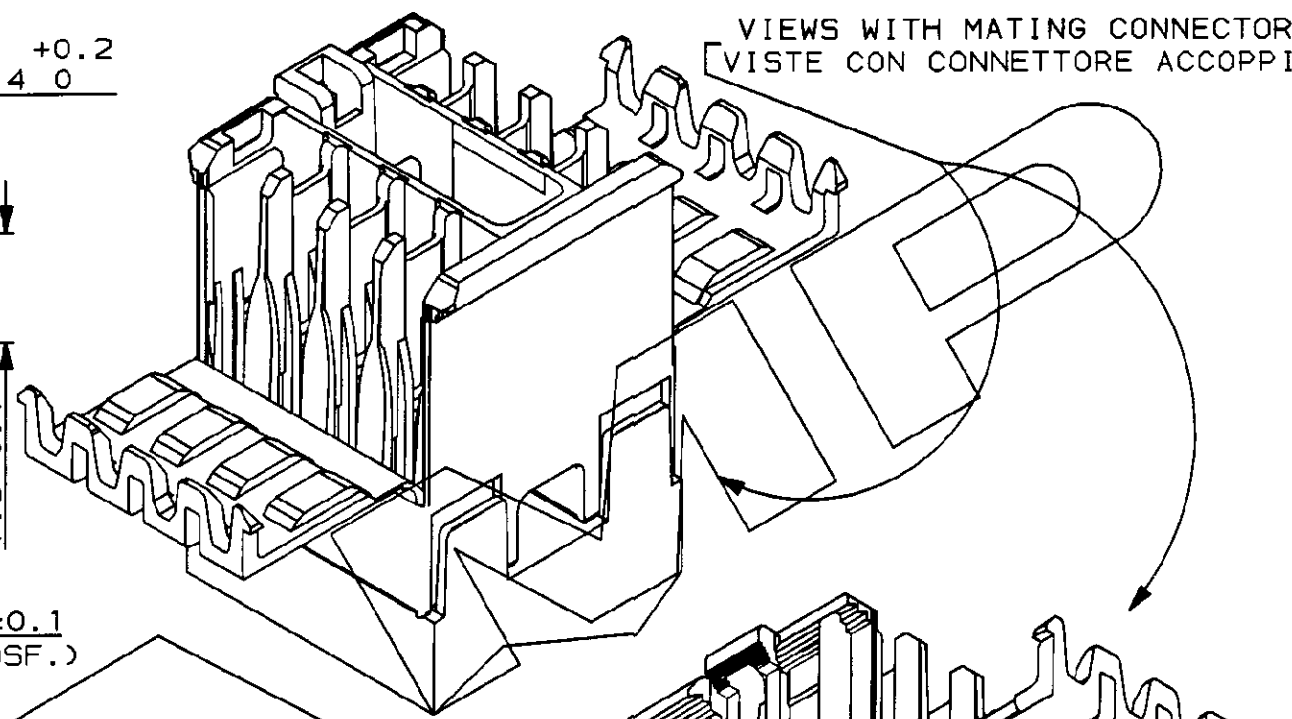
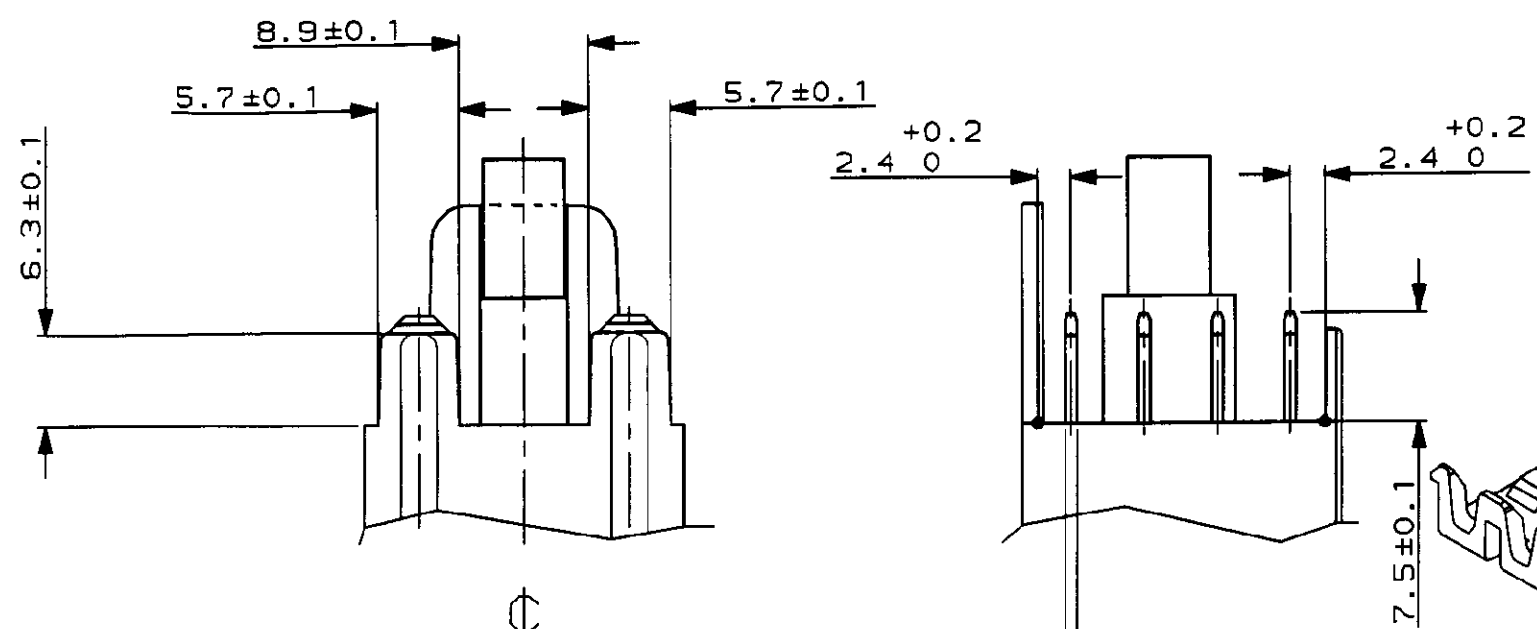
DISTRIBUZIONE (PRINT DIST.)

SCALA NON IMPEGNATIVA  
(DO NOT SCALE)  
DIMENSIONI IN mm  
(DIMENSIONS IN mm)

**METRIC**

PROIEZIONE EUROPEA  
(EUROPEAN PROJECTION)

VIEWS WITH MATING CONNECTOR  
VISTE CON CONNETTORE ACCOPPIATO



**UNPUBLISHED COPY**  
THIS INFORMATION IS CONFIDENTIAL AND IS DISCLOSED TO YOU ON CONDITION THAT NO FURTHER DISCLOSURE IS MADE BY YOU TO OTHER THAN AMP PERSONNEL WITHOUT A WRITTEN AUTHORIZATION FROM AMP ITALIA SPA.

SEE SHEET 1/2

FINITURA / COLORE (FINISH / COLOUR)	MATERIALE (MATERIAL)	NUMERO (PART NUMBER)
CUSTOMER DWG. FOR REFERENCE ONLY	DISEGNO PER CLIENTE SOLO PER RIFERIMENTO	
THIS DRAWING IS UNPUBLISHED		RELEASE FOR PUBLICATION
© COPYRIGHT 1995 BY AMP INCORPORATED, HARRISBURG, PA. ALL INTERNATIONAL RIGHTS RESERVED. AMP PRODUCTS MAY BE COVERED BY U.S. AND FOREIGN PATENT AND/OR PATENT PENDING.		
TOLLERANZE: SE NON DIVERSAMENTE SPECIFICATO (TOLERANCES: UNLESS OTHERWISE SPECIFIED)	DIAM. ISOLANTE (INS. DIA. RANGE)	RANGO FILO (WIRE RANGE)
± 0.3		SCALA (SCALED) 2:1
ANGOLI (ANGLES) ± 2°	<b>AMP</b> AMP ITALIA S.p.A. Corso F.lli Cervi, 15 COLLEGNO (TORINO)	
DIS. 2 JAN. 1995 (DR.) C. IANNARELLI	DESCRIZIONE (DESCRIPTION) B POS. QUADRA LEAF CONN.	
CONT. 2 JAN. 1995 (CHK) C. TARTARI	HSG. FOR HAZARD SWITCH.	
APP. (APP.)	LOC. SIZE NUMERO (DWG NO)	REV. FOGLIO (SHEET)
	I A3 C-282718	B 2/2

PROGR. 94-036-1  
IPL: 330

DISTRIBUZIONE  
(PRINT DIST.)