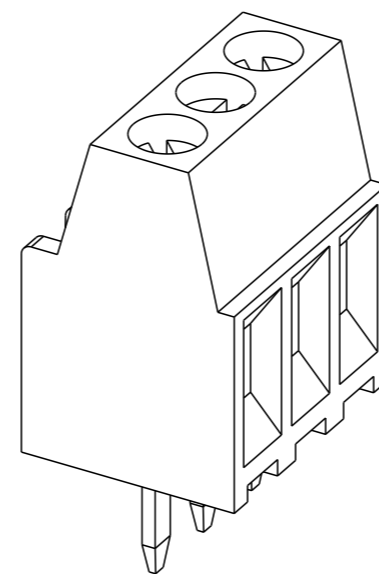
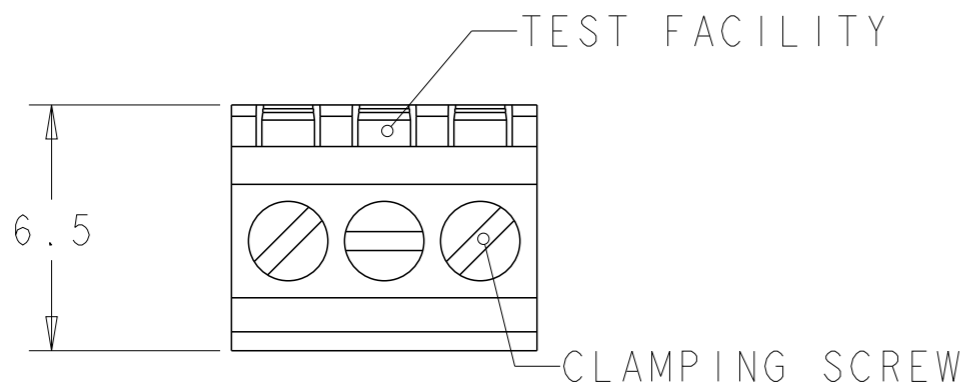
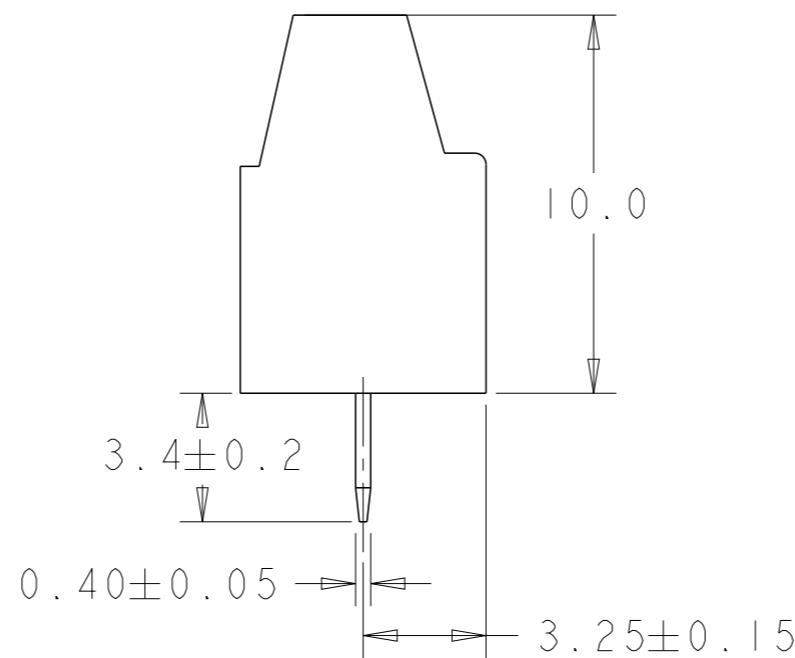
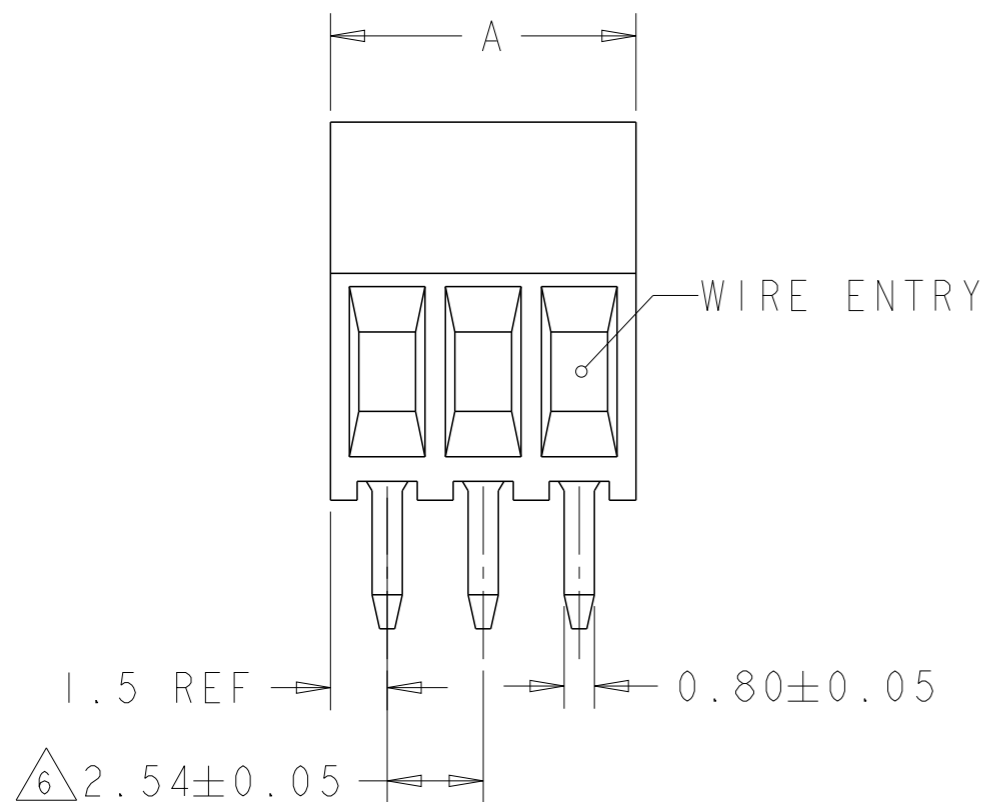


P	LTR	DESCRIPTION	DATE	DWN	APVD
	C1	REVISED PER ECO-11-007905	15APR2011	HMR	CR
	D	PCN-21-107524	12MAY2022	SCB	SS



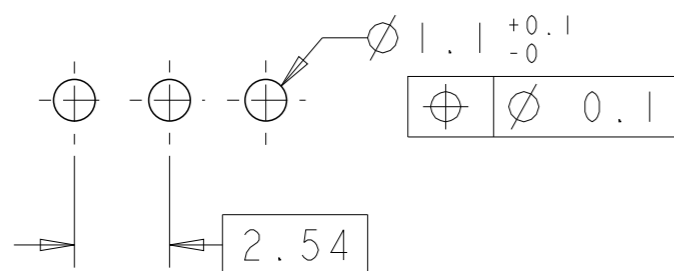
282834-3 AS SHOWN

- 1 MATERIALS AND FINISH
HOUSING: PA 6-6, UL 94-V0, COLOR GREEN.
CLAMP: BRASS, NICKEL PLATED.
TERMINAL: BRASS, TIN PLATED.
CLAMPING SCREW: M1.6, STAINLESS STEEL.
- 2 SUITABLE FOR 1,6-2,4mm PC BOARD THICKNESS.
- 3 CONNECTION POWER
SOLID WIRE: 0,03-1mm (17AWG)₂
STRANDED WIRE: 0,03-0,75mm (18AWG)₂
- 4 RECOGNIZED UNDER THE COMPONENT PROGRAM OF UNDERWRITERS LABORATORIES INC. FILE N° E60677.
- 5 POSSIBILITY TO PUT TWO OR THREE TERMINAL BLOCKS SIDE BY SIDE BY INCREASING THE DIAMETER OF THE PCB HOLES TO MINIMUM 1,3mm.
- 6 NOT CUMULATIVE TOLERANCE.
- 7 TORQUE: 1.73 in-lbs MAX



30.94	12	1-282834-2	
28.40	11	1-282834-1	
25.86	10	1-282834-0	
23.32	9	282834-9	
20.78	8	282834-8	
18.24	7	282834-7	
15.70	6	282834-6	
13.16	5	282834-5	
10.62	4	282834-4	
8.08	3	282834-3	
5.54	2	282834-2	
DIM. A		N° OF POS.	PART NUMBER

RECOMMENDED PC BOARD LAYOUT



THIS DRAWING IS A CONTROLLED DOCUMENT.		DWN E. ZANOLINI 15AUG2001	TE Connectivity	
DIMENSIONS: mm		CHK D. BIEVENOUR 15AUG2001		
TOLERANCES UNLESS OTHERWISE SPECIFIED:		APVD D. BIEVENOUR 15AUG2001	NAME TERMINAL BLOCK PCB MOUNT SIDE WIRE ENTRY STACKING 2.54mm PITCH	
0 PLC ±-		PRODUCT SPEC 108-20166	SIZE A3	
1 PLC ±.3		APPLICATION SPEC 114-20079	CAGE CODE 00779	DRAWING NO C-282834
2 PLC ±.25		WEIGHT -	RESTRICTED TO -	
3 PLC ±-		CUSTOMER DRAWING		
4 PLC ANGLES ±2		SCALE 5:1		
FINISH		SHEET 1 OF 1		
		REV D		