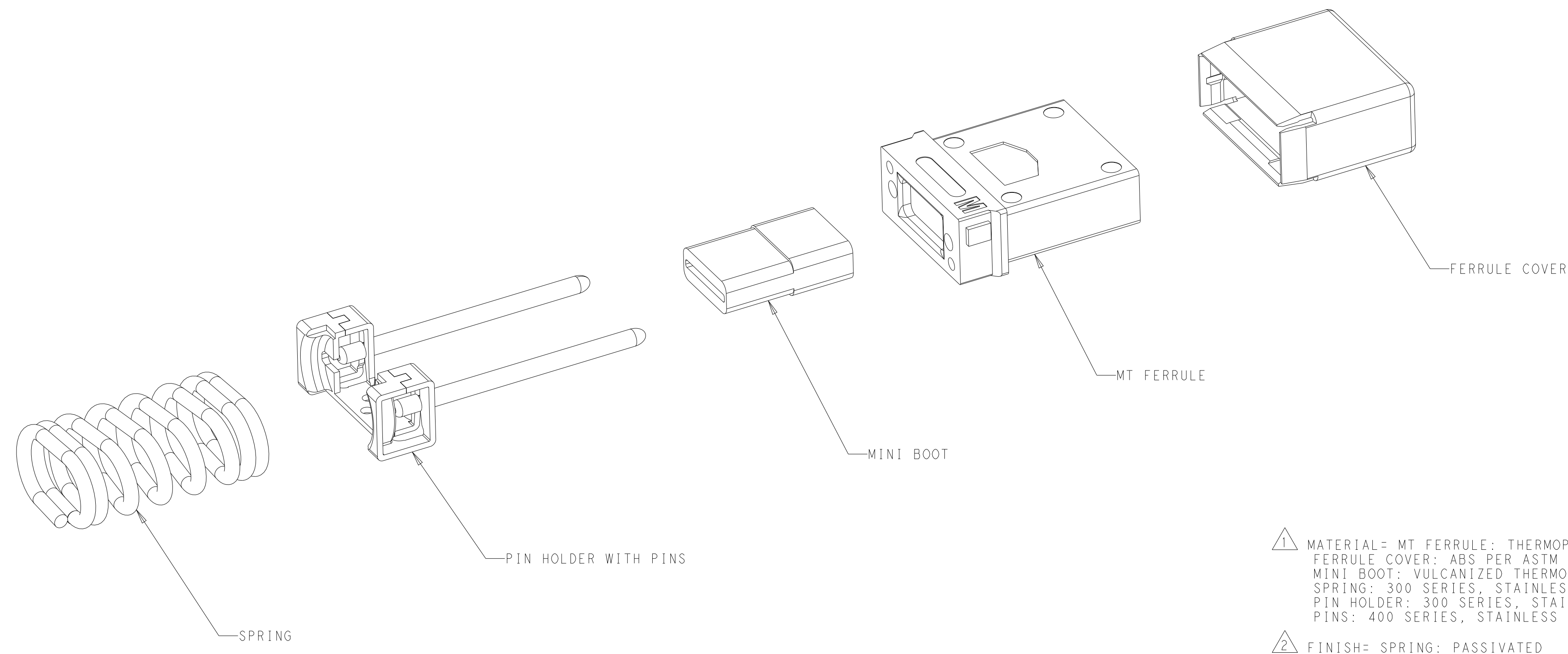


REVISIONS				
P	LTN	DESCRIPTION	DATE	APVD
A		RELEASED PER ECO-17-011646	16NOV2017	-
A1		REVISED PER ECO-18-003364	27FEB2018	DF JM
A2		ECN-22-168414	05AUG2022	CG JM

MT FERRULE KIT
 (COMPONENTS PACKAGED UNASSEMBLED)
 2828412-1 SHOWN



- 1 MATERIAL= MT FERRULE: THERMOPLASTIC PER ASTM D4067
 FERRULE COVER: ABS PER ASTM D4673
 MINI BOOT: VULCANIZED THERMOPLASTIC POLYOLEFIN
 SPRING: 300 SERIES, STAINLESS STEEL WIRE, PER ASTM A313
 PIN HOLDER: 300 SERIES, STAINLESS STEEL, PER ASTM A617
 PINS: 400 SERIES, STAINLESS STEEL, PER ASTM A276
- 2 FINISH= SPRING: PASSIVATED
- 3 WEIGHT CALCULATIONS FOR REFERENCE ONLY.

0.350	FO TRANSCEIVER PIGTAIL	SPRING NOT INCLUDED	24 FIBER, MULTI-MODE, LOW-LOSS GRADE	2828412-4
0.352	FO TRANSCEIVER PIGTAIL	SPRING NOT INCLUDED	12 FIBER, MULTI-MODE, LOW-LOSS GRADE	2828412-3
0.560	2 CAVITY PLUG, 2828384-1	ALL COMPONENTS INCLUDED	24 FIBER, MULTI-MODE, LOW-LOSS GRADE	2828412-2
0.562	2 CAVITY PLUG, 2828384-1	ALL COMPONENTS INCLUDED	12 FIBER, MULTI-MODE, LOW-LOSS GRADE	2828412-1
KIT WEIGHT (GRAMS)	USED WITH	KIT COMPONENTS	MT FERRULE TYPE	KIT PART NUMBER

THIS DRAWING IS A CONTROLLED DOCUMENT.

DWN	D. FABIAN	08APR2015
CHK	J. MOSIER	16NOV2017
APVD	J. MOSIER	16NOV2017
NAME	MT FERRULE KIT, WITH PINS FOR PLUG (MODULE) VITA 66 DERIVATIVE CONNECTOR	
PRODUCT SPEC	108-163007	
APPLICATION SPEC	114-163005	
SIZE	CAGE CODE	DRAWING NO
RESTRICTED TO	A1	-
WEIGHT	SEE TABLE	SCALE 8:1
CUSTOMER DRAWING	SHEET 1 OF 1	REV A2

TE Connectivity