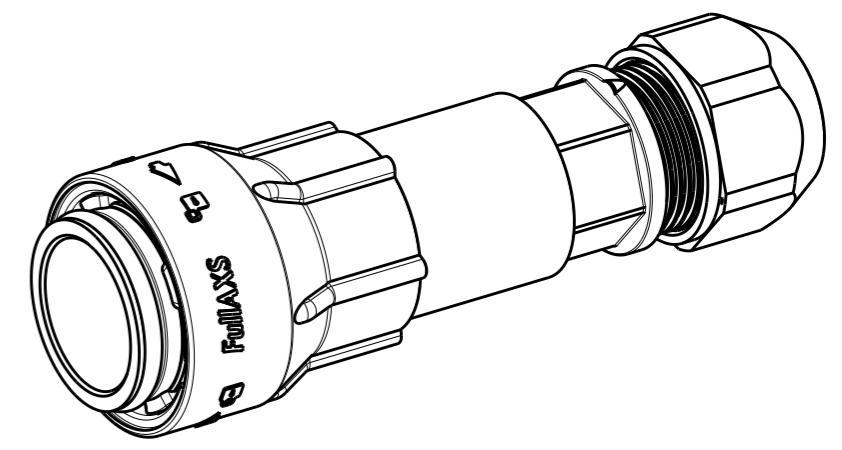
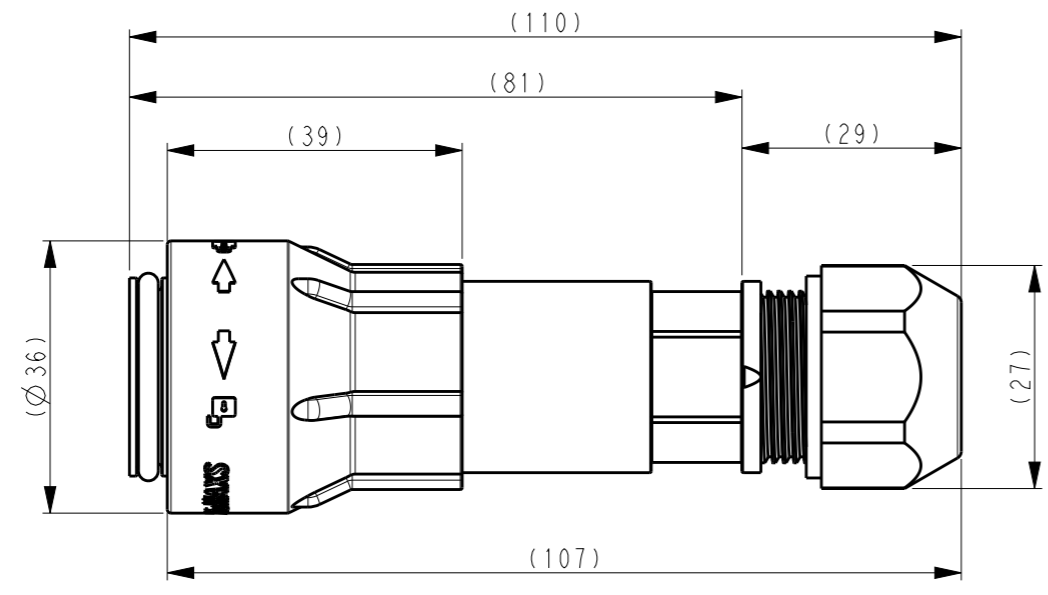


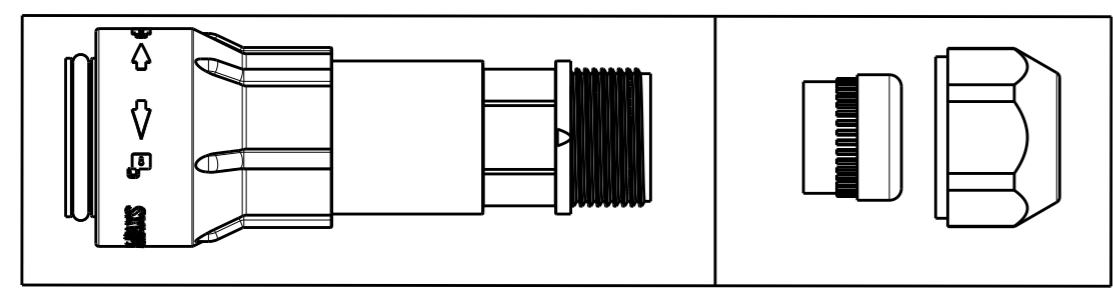
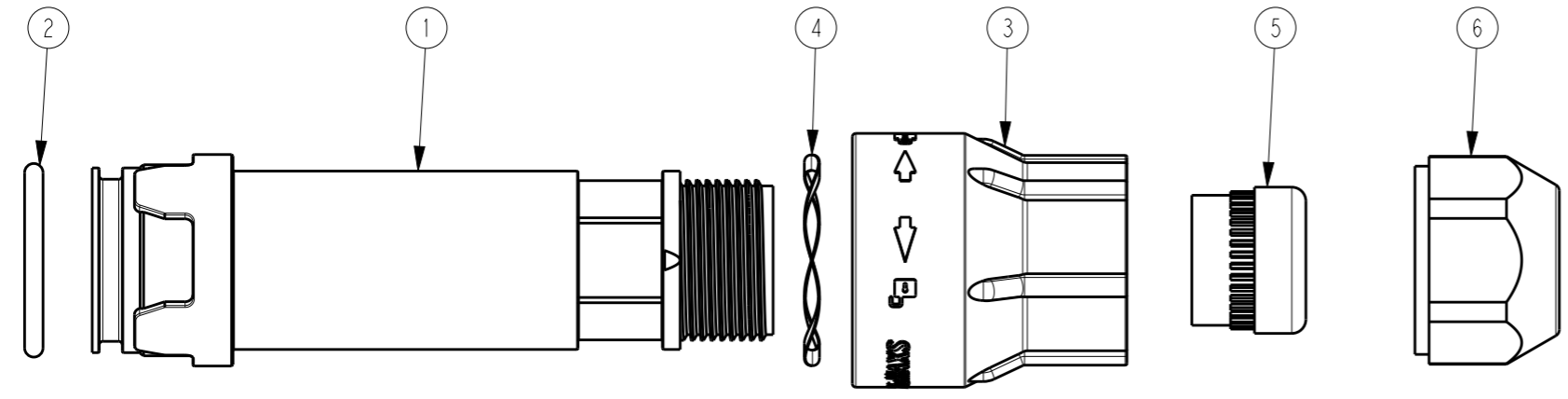
THIS DRAWING IS UNPUBLISHED. RELEASED FOR PUBLICATION 2015
 © COPYRIGHT 2015 BY TYCO ELECTRONICS CORPORATION. ALL RIGHTS RESERVED.

REVISIONS					
P	LTR	DESCRIPTION	DATE	DWN	APVD
	B	ECR-16-004333	11MAY2016	HZ	RS
	B1	ECR-19-006813	12APR2018	SS	RS



NOTES:

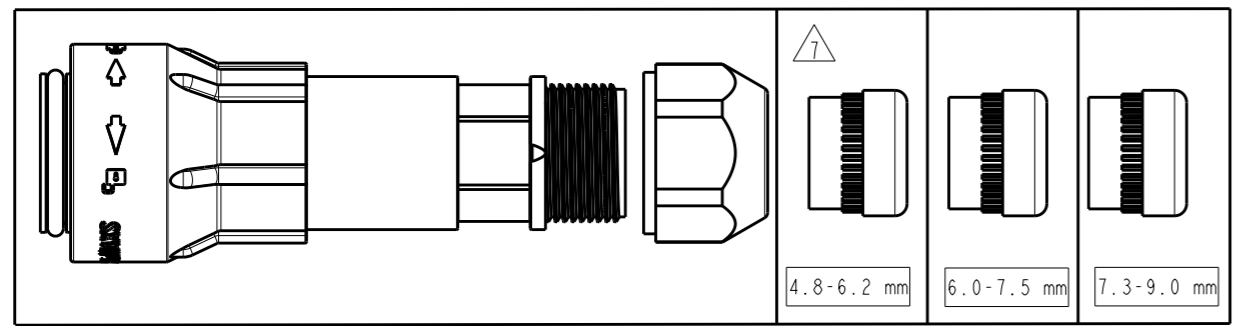
1. THIS FIELD INSTALL KIT SHOULD BE USED WITH RUGGEDIZED CABLE AND RUGGED FAN-OUT CONSTRUCTION
2. THE FLAMMABILITY RATING OF THE MATERIAL IS UL94-V0
3. THE MATERIAL IS HALOGEN FREE ACCORDING IEC 60754-2
4. EACH ASSEMBLY IS PACKED IN A PROTECTIVE SLEEVE
5. AN INSTRUCTION SHEET IS PACKED WITH EACH FIELD INSTALL KIT
6. CABLE DIAMETER RANGE: SEE TABLE
7. 2833001-4 INCLUDES THREE SEALS IN THE PACKAGING



TE Part Number	Cable Diameter	Seal ID
2833001-1	4.8 - 6.2 mm	5.0 mm
2833001-2	7.3 - 9.0 mm	8.5 mm
2833001-3	6.0 - 7.5 mm	6.7 mm
2833001-4	4.8 - 9.0 mm	5.0/8.5/6.7 mm

Item	Description	Qty
6	FULLAXS FIELD INSTALL NUT FOR CABLE GLAND	1
5	FULLAXS FIELD INSTALL SPLIT CABLE SEAL	1
4	FULLAXS WAVE SPRING	1
3	FULLAXS FIELD INSTALL BAYONET SHELL	1
2	FULLAXS FRONT O-RING 22.3x2.4	1
1	FULLAXS FIELD INSTALL EXTENDED INNER BODY	1

PROTECTIVE SLEEVE PACKAGING
 SCALE 4:5



THIS DRAWING IS A CONTROLLED DOCUMENT.

DIMENSIONS:	TOLERANCES UNLESS OTHERWISE SPECIFIED:
mm	0 PLC ±0.2
	1 PLC ±0.1
	2 PLC ±0.05
	3 PLC ±0.025
	4 PLC ±0.005
	ANGLES ±2°
MATERIAL	FINISH
VARIABLES	BLACK

DWN	R. COOLEN	27JAN2015
CHK	R. DAAMEN	27JAN2015
APVD	T. DRIJFHOUT	27JAN2015
PRODUCT SPEC	-	
APPLICATION SPEC	-	
WEIGHT	-	
Customer Drawing		

STE TE Connectivity

NAME: FULLAXS FIELD INSTALL KIT EXTENDED

SIZE	CAGE CODE	DRAWING NO	RESTRICTED TO
A3	00779	C-2833001	-

SCALE 1:2 SHEET 1 OF 1 REV B1