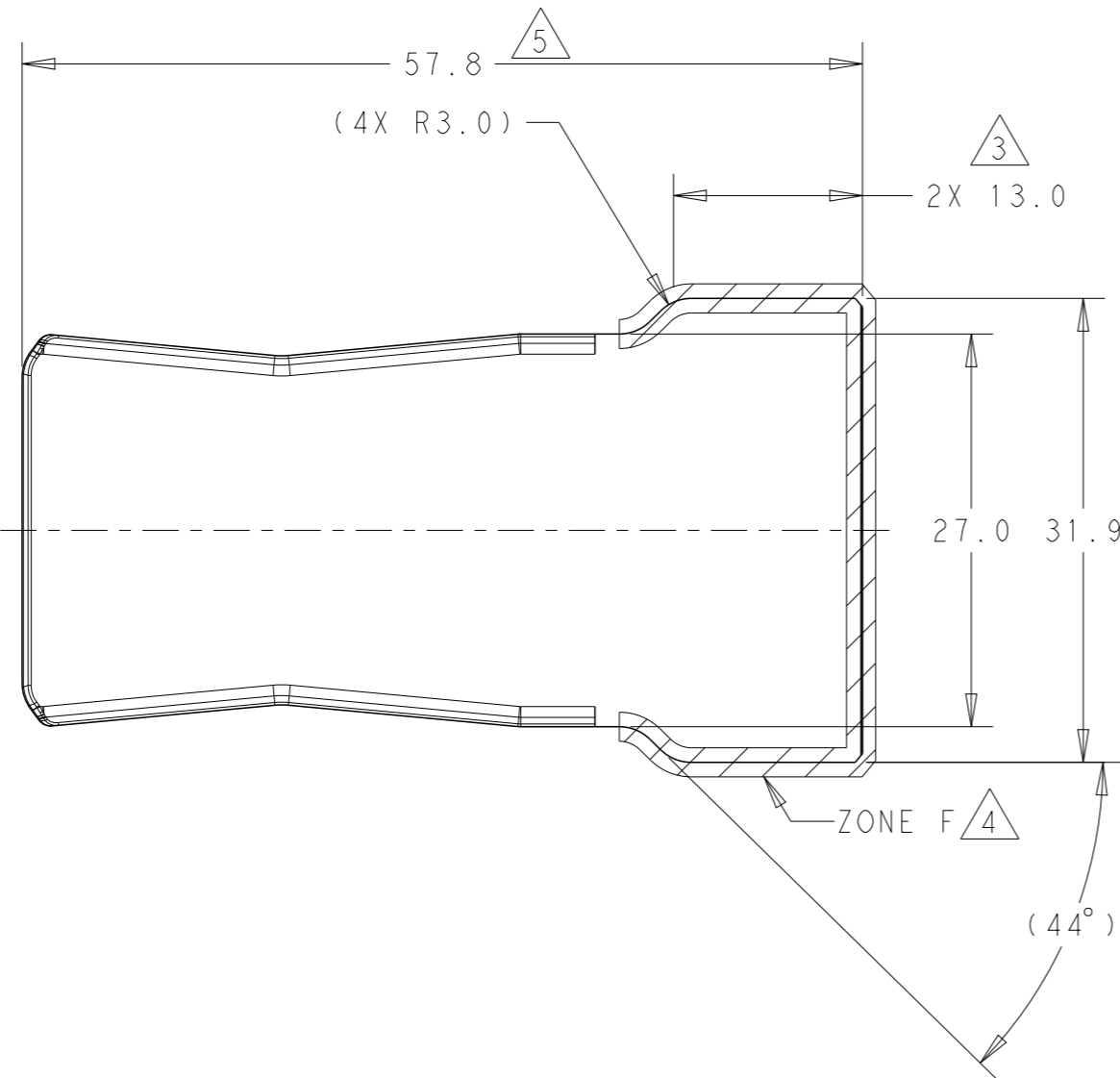
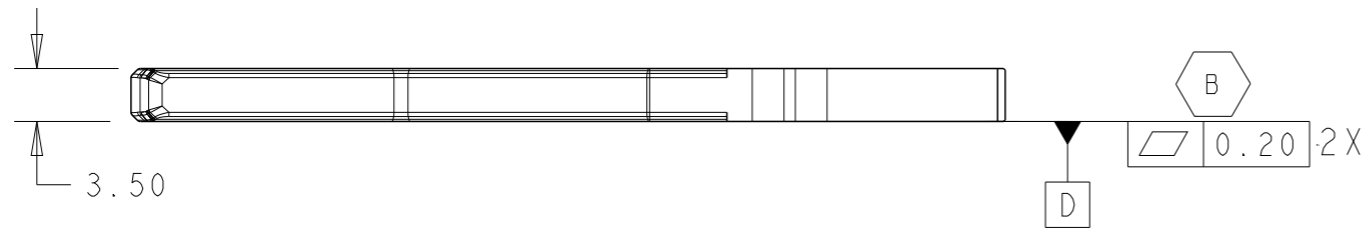


P	LTR	DESCRIPTION	DATE	DWN	APVD
A2		ECO-18-017177	30OCT2018	DR	DR
A5		REVISED PER ECO-21-001832	06APR2020	PHM	DR
A6		ECN-23-234608	16OCT2023	GTG	ZK
B		ECN-24-284455	13SEP2024	GTG	ZK



- 1 MATERIAL: C11000 H02
- 2 PLATING: 0.0030-0.0050 SILVER PER ASTM B 700, TYPE 3, CLASS N, WITHOUT SUPPLEMENTARY CHROMATE TREATMENT BUT WITH A TARNISH RESISTANT TREATMENT, OVER 0.0010-0.0020 MATTE NICKEL
- 3 DIMENSION TO THEORETICAL SHARP CORNER
- 4 EXPOSED COPPER PERMITTED ON EDGES WITHIN ZONE F
- 5 FULL LENGTH POST PLATING BOTH SIDES

<del>OBSOLETE</del>	<del>TAB CONTACT WITH KNURL</del>	<del>A</del>	<del>2840535-2</del>
-	TAB CONTACT	B	2840535-1
IDENTIFICATION	DESCRIPTION	REV	PART NO.

THIS DRAWING IS A CONTROLLED DOCUMENT.		DWN D. RHEIN 16AUG2016	TE Connectivity		
DIMENSIONS: mm		CHK D. RHEIN 24AUG2016			NAME TAB CONTACT HC-STAK 35 PLUG
TOLERANCES UNLESS OTHERWISE SPECIFIED: 0 PLC ± 1 PLC ±0.2 2 PLC ±0.10 3 PLC ± 4 PLC ± ANGLES ±1°		APVD D. RHEIN 24AUG2016			
MATERIAL 1		FINISH 2	PRODUCT SPEC 108-160704	RESTRICTED TO	
			APPLICATION SPEC 114-160380	SIZE A3	
			WEIGHT 48.9 g	CAGE CODE 00779	
			CUSTOMER DRAWING	DRAWING NO 2840535	
			SCALE 2:1	SHEET 1 OF 1	
				REV B	