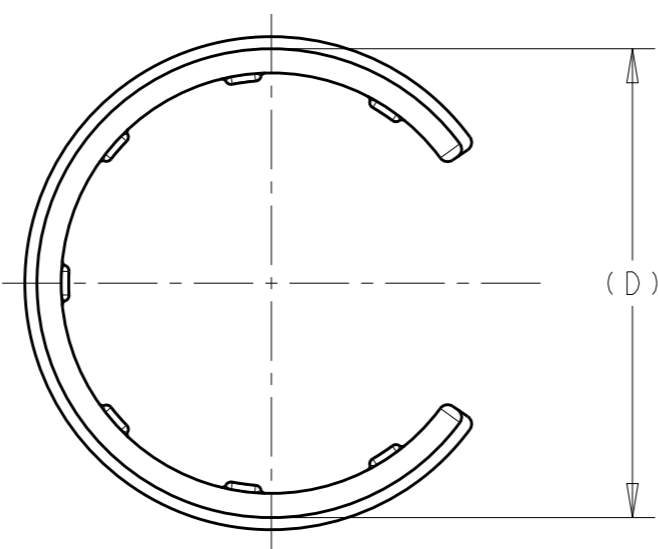
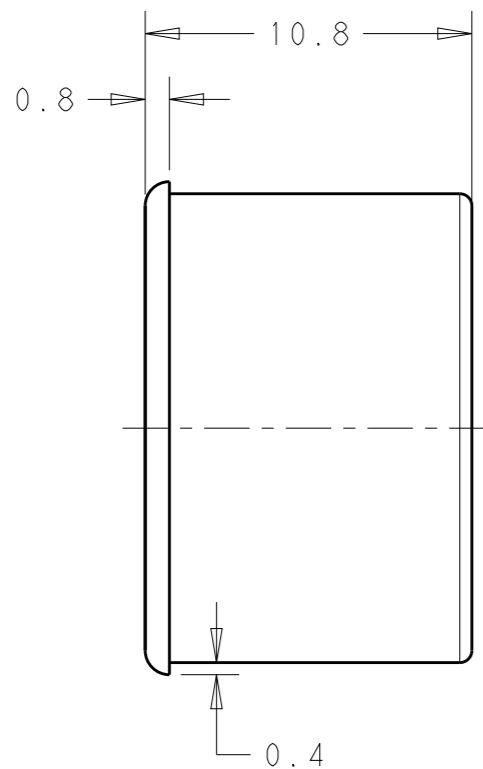
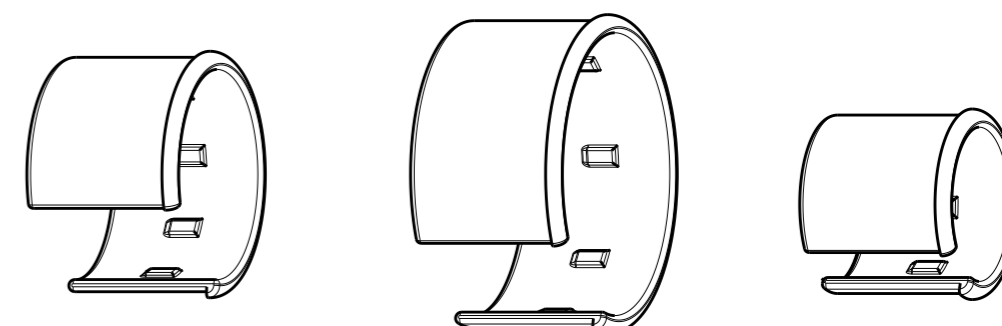


REVISIONS

P	LTR	DESCRIPTION	DATE	DWN	APVD
	A2	ECO-19-013794	06SEP2019	DR	DR
	A3	ECR-20-001774	11FEB2020	PK	TD
	A4	ECR-20-007740	29MAY2020	TD	TD
	A5	ECR-21-000061	05JAN2021	SK	DR



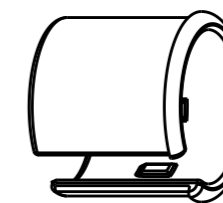
2840635-1 SHOWN



X-2840635-1  
SCALE 2:1

X-2840635-2  
SCALE 2:1

X-2840635-3  
SCALE 2:1



1-2840635-4  
SCALE 2:1  
PRELIMINARY PART

-	IMPACT-MODIFIED PA66	17.6	0.49 g	NATURAL	FERRULE SLEEVE, SIZE 4	1-2840635-4
-	IMPACT-MODIFIED PA66	11.8	0.34 g	TAN	FERRULE SLEEVE, SIZE 3	1-2840635-3
-	IMPACT-MODIFIED PA66	20.3	0.51 g	GREEN	FERRULE SLEEVE, SIZE 2	1-2840635-2
-	IMPACT-MODIFIED PA66	15.2	0.36 g	BLUE	FERRULE SLEEVE, SIZE 1	1-2840635-1
MOISTURIZED	PA66	20.3	0.54 g	GREEN	FERRULE SLEEVE, SIZE 2	2840635-2
MOISTURIZED	PA66	15.2	0.39 g	BLUE	FERRULE SLEEVE, SIZE 1	2840635-1
<b>POST TREATMENT</b>	<b>MATERIAL</b>	<b>D</b>	<b>WEIGHT</b>	<b>COLOR</b>	<b>DESCRIPTION</b>	<b>PART NO</b>

THIS DRAWING IS A CONTROLLED DOCUMENT.

DWN D RHEIN 29SEP2016

CHK D RHEIN 29SEP2016

APVD D RHEIN 30SEP2016

PRODUCT SPEC

APPLICATION SPEC

WEIGHT SEE TABLE

CUSTOMER DRAWING



TE Connectivity

NAME  
FERRULE SLEEVE  
HC-STAK

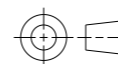
SIZE CAGE CODE DRAWING NO RESTRICTED TO

A3 00779 C-2840635

SCALE 3:1 SHEET 1 OF 1 REV A5

DIMENSIONS:

mm



TOLERANCES UNLESS OTHERWISE SPECIFIED:

0 PLC	±
1 PLC	±0.2
2 PLC	±0.10
3 PLC	±
4 PLC	±
ANGLES	±5°

MATERIAL  
SEE TABLE

FINISH

-