

THIS DRAWING IS UNPUBLISHED.

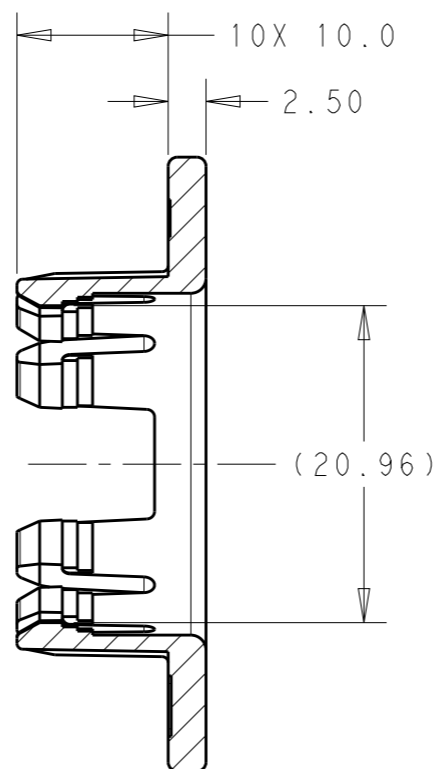
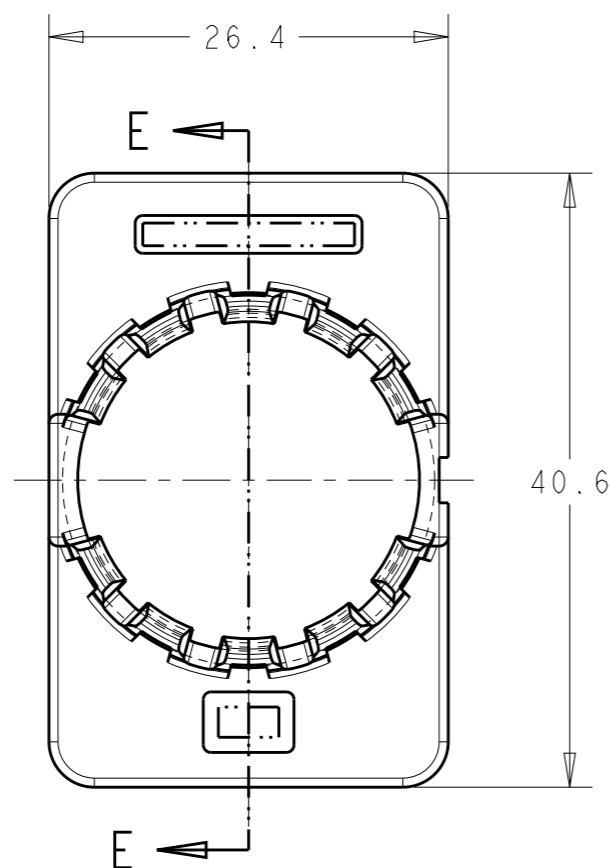
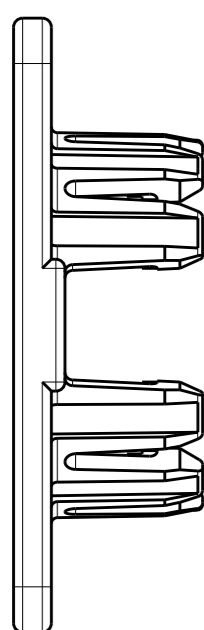
RELEASED FOR PUBLICATION

20

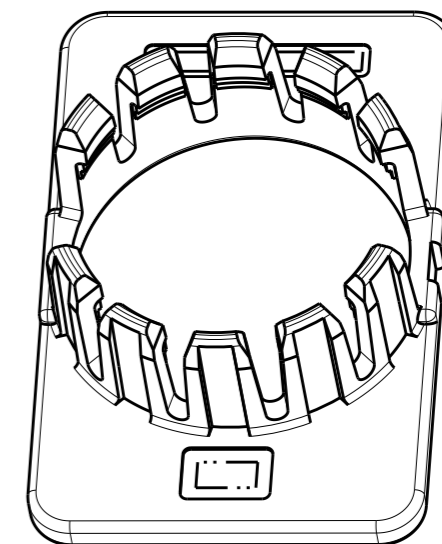
© COPYRIGHT 2017 BY TE CONNECTIVITY CORPORATION ALL RIGHTS RESERVED.

REVISIONS

P	LTR	DESCRIPTION	DATE	DWN	APVD
	A	ECO-17-011771	11AUG2017	DR	DR



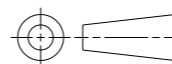
SECTION E - E



2840711-1  
PART NO

THIS DRAWING IS A CONTROLLED DOCUMENT.

DIMENSIONS:  
mm



TOLERANCES UNLESS OTHERWISE SPECIFIED:

0 PLC	±
1 PLC	±0.2
2 PLC	±0.10
3 PLC	±
4 PLC	±
ANGLES	±5°

MATERIAL  
PA66  
BLACK

FINISH

DWN D. RHEIN 09FEB2017  
 CHK D. RHEIN 12APR2017  
 APVD D. RHEIN 12APR2017

PRODUCT SPEC  
-  
APPLICATION SPEC  
-

WEIGHT 2.56 g

CUSTOMER DRAWING



TE Connectivity

NAME  
COLLET  
HC-STAK 35

SIZE	CAGE CODE	DRAWING NO	RESTRICTED TO
A3	00779	C-2840711	-

SCALE	SHEET	OF	REV
2:1	1	1	A