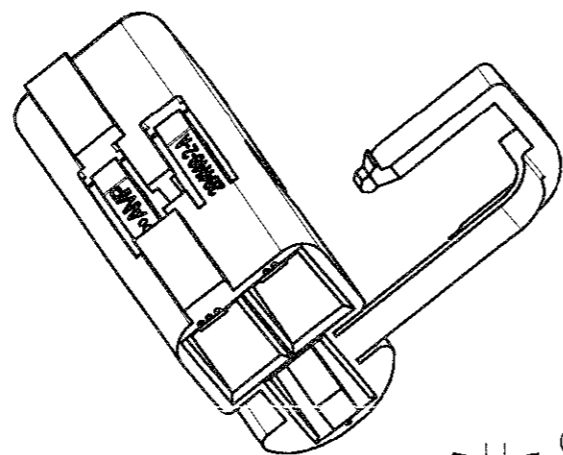
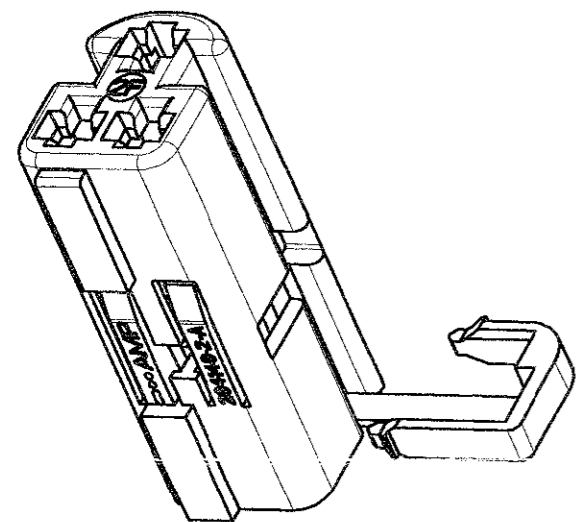


LOC		DIST		REVISIONS			
P	LTR	DESCRIPTION	DATE	DWN	APVD		
-	-	A	FIRST ISSUE ET00-0092-98	10APR1998	P.S.	C.B.	
		A1	UPDATED ET00-0067-99	22FEB1999	A.M.	O.C.	
		A2	FPI UPDATED AND RELEASED ET00-0256-02	01MAR04	M.B.		



CAVITA' N. 2 (CAVITY N. 2)

CAVITA' N. 3 (CAVITY N. 3)

CAVITA' N. 1 (CAVITY N. 1)

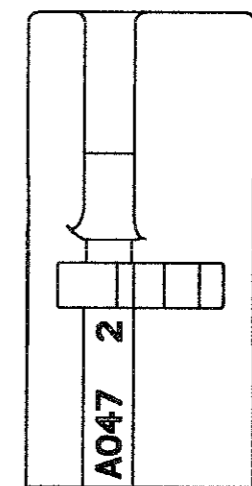
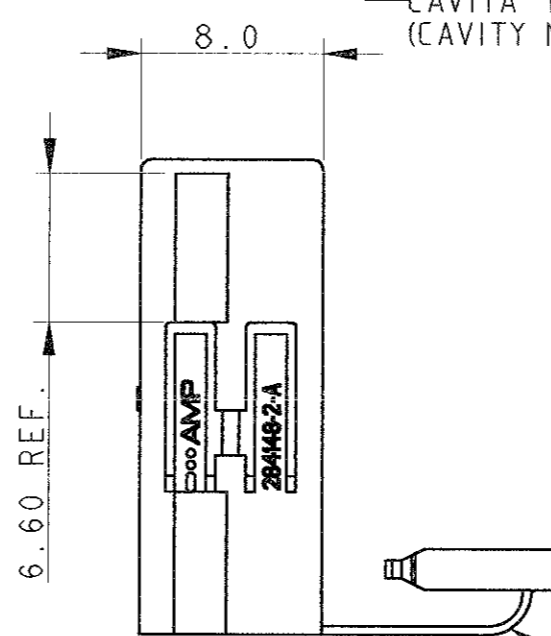
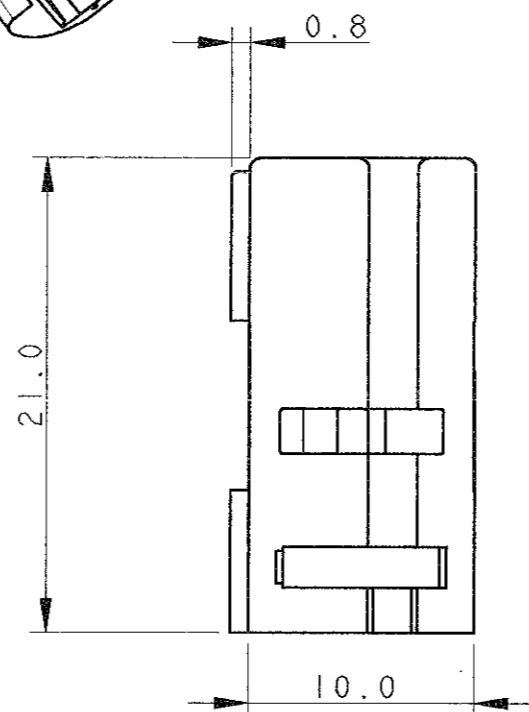
NOTE

1) BLOCCHETTO ADATTO PER CONTATTI MULTILOCK .070 SECONDA GENERAZIONE P/N 284087-1 E P/N 284088-1 (HOUSING SUITABLE FOR MULTILOCK .070 SECOND GENERATION P/N 284087-1 AND P/N 284088-1)

2) MATERIALE: PA 66 (MATERIAL: PA 66)

3) IL BLOCCHETTO P/N 284148-1 E' ADATTO PER MONTAGGIO CON P/N 284147-1 (HOUSING P/N 284148-1 IS SUITABLE TO P/N 284147-1.)

4) IL BLOCCHETTO P/N 284148-2 E' ADATTO PER MONTAGGIO CON P/N 284147-2. (HOUSING P/N 284148-2 IS SUITABLE TO P/N 284147-2.)

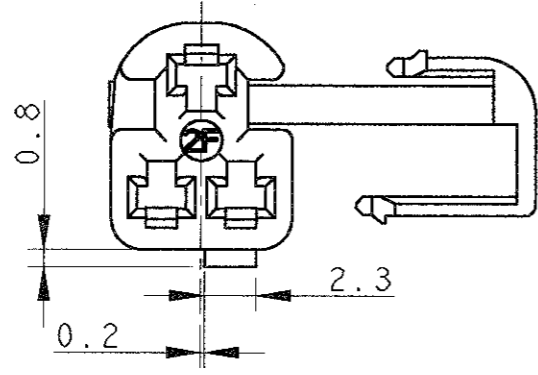
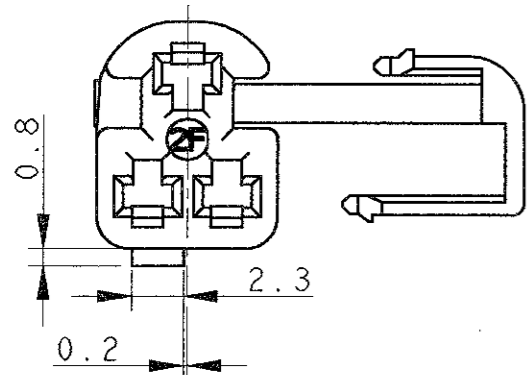


AGGANCIO SECONDARIO (SECONDARY LOCK)

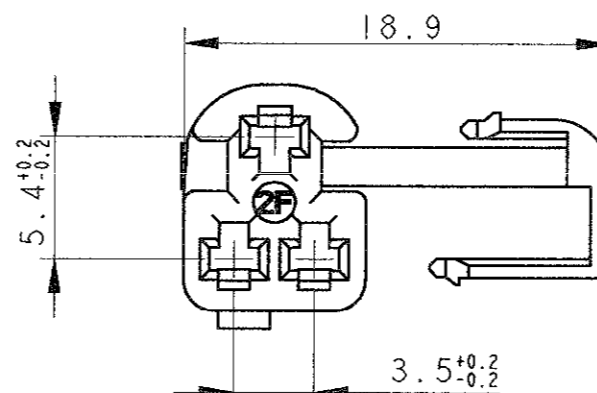
SCHEME OF POLARIZATION KEYS
SCHEMA DI POLARIZZAZIONE

P/N 284148-2
COLORE BIANCO
(WHITE COLOUR)

P/N 284148-1
COLORE NERO
(BLACK COLOUR)



SCALE 3:1



P/N 284148-2 AS SHOWN.
(COME MOSTRATO)

THIS DRAWING IS A CONTROLLED DOCUMENT FOR AMP INCORPORATED.
IT IS SUBJECT TO CHANGE AND THE CONTROLLING ENGINEERING ORGANIZATION SHOULD BE CONTACTED FOR THE LATEST REVISION.

DIMENSIONS:
mm

TOLERANCES UNLESS OTHERWISE SPECIFIED:

0 PLC	±0.3
1 PLC	±0.3
2 PLC	±0.3
3 PLC	±
4 PLC	±
ANGLES	±2

MATERIAL
VEDERE NOTA 2
(SEE NOTE 2)

FINISH

DWN	10APR98
P. SANTANGELO	
CHK	10APR98
C. BERTINI	
APVD	10APR98
A. BRUNI	

PRODUCT SPEC
APPLICATION SPEC

WEIGHT
CUSTOMER DRAWING

AMP

AMP Italia S.p.A.
Collegno, C.so F.lli Cervi 15

NAME
3 POS. MULTILOCK FEMALE CONNECTOR

SIZE	CAGE CODE	DRAWING NO	RESTRICTED TO
A3	00779	C-284148	-

SCALE 3:1 SHEET 1 OF 1 REV A2