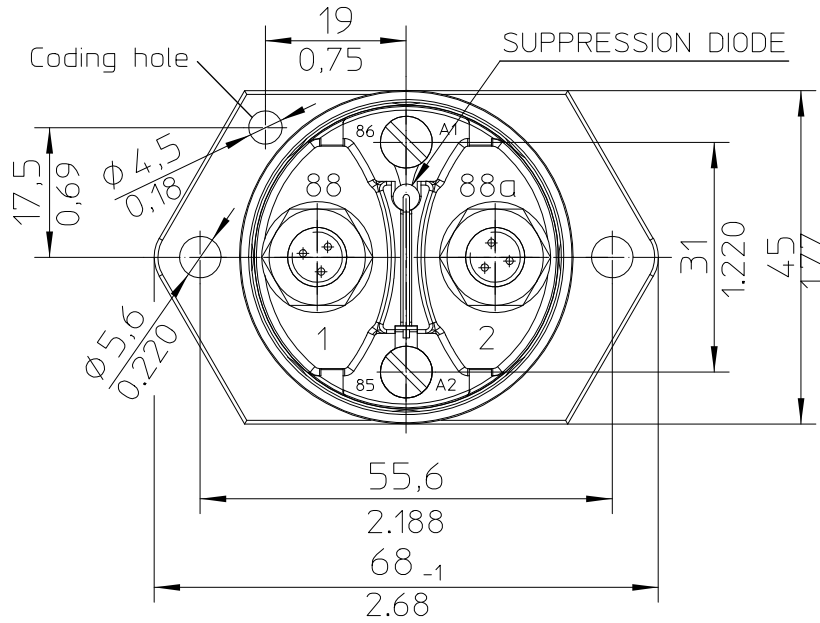
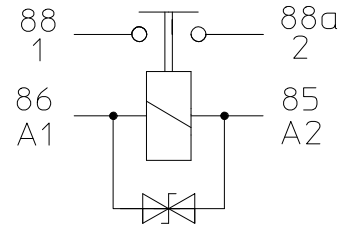


# 120AMP POWER RELAY (28VDC)

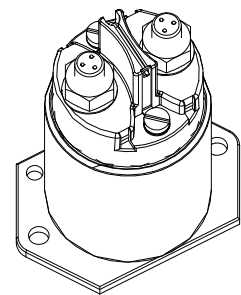
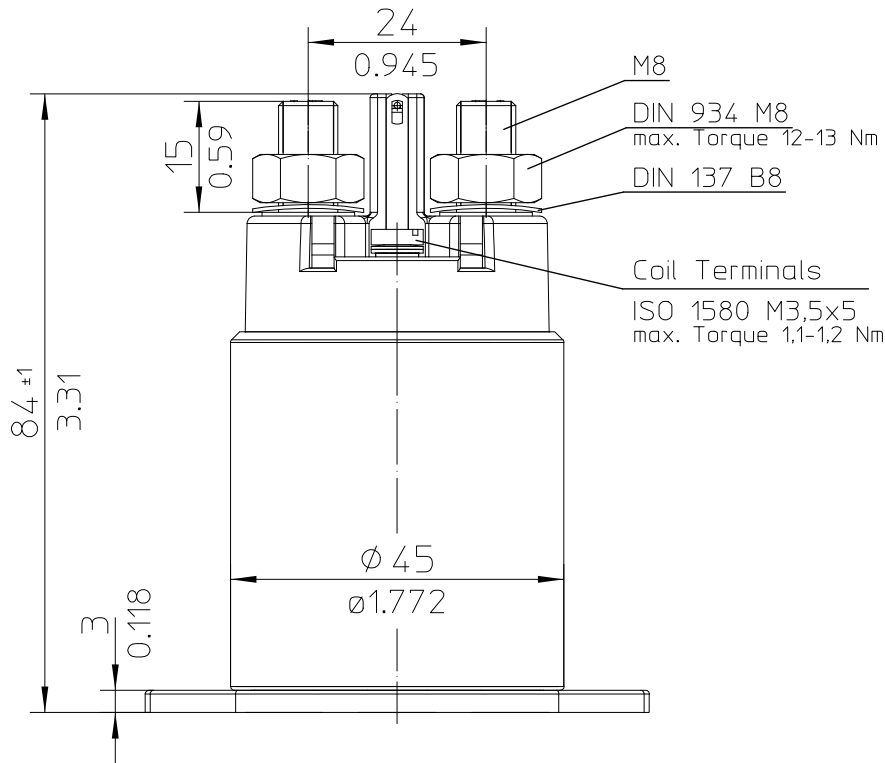
BOTTOM MOUNTING ENVIRONMENTALLY SEALED



Circuit



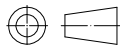
SUPPRESSION DEVICE



ISO 1:2

For this drawing we reserve the copyright in accordance with DIN ISO 16016

Third Angle Projection



DIMENSIONAL TOLERANCES

3 PLACE DECIMAL +/-0.010

2 PLACE DECIMAL +/-0.03

ANGULAR +/-0°30'

	Date	Name
Create	16.02.2015	Seege
Edited	30.08.2019	Mielk
Check	30.08.2019	Kaise

mm	inch	Scale
		1:1
General Tolerances		
DIN ISO 2768 cL		



Drawing No:

29-113-12

NSN:

