

| P | LTR | DESCRIPTION | DATE | DWN | APVD |
|---|-----|-------------|-----------|-----|------|
| | A | TE STANDARD | 17APR2024 | KS | RB |

EC No. **300AMP. POWER RELAY (12VDC)** Page 1 of 2
STANDARD SIDE MOUNTING ENVIRONMENTALLY SEALED

MOUNTING DIMENSION

CIRCUIT

Technical Data

ENVIRONMENTAL CHARACTERISTICS
 TEMPERATURE RANGE -40°C TO +85°C (-40°F TO +185°F)
 MAX. ALTITUDE RATING 50 000 FT
 SEAL IP67 (6 FT/ 0.2BAR 1 MIN) I.A.W. IEC 529
 IP6K9K (STEAM PRESSURE) DIN 40050 PART 9 AND I.A.W. IEC 529

SHOCK G-LEVEL 6G/ 11 MSEC
 VIBRATION 4G/ 50-2000 Hz

ELECTRICAL CHARACTERISTICS
 MIN. INSULATION RESISTANCE INITIAL 100 MEGOHMS
 AFTER LIVE OR ENVIRONMENTAL 50 MEGOHMS
 DIELECTRIC WITHSTANDING VOLTAGE SEA LEVEL 1 MINUTE: 1050 VOLTS
 ALTITUDE 1 MINUTE: 500 VOLTS

MAX. CONTACT DROP INITIAL 0.15 VDC
 AFTER LIFE TEST 0.175 VDC
 OVERLOAD 2400 AMP FOR 1 SEC, 600 AMP FOR 20 SEC
 DUTY RATING 300 AMP CONTINUOUS

RATED CONTACT LOAD
 RESISTIVE LOAD 200 000 CYCLES
 ENDURANCE 2 000 000 CYCLES

OPERATING CHARACTERISTICS

COIL DATA
 VOLTAGE RANGE 9-16 VDC
 NOMINAL VOLTAGE 12 VDC
 PICK UP VOLTAGE MAX. 9 VDC FULL TEMP. RANGE
 DROP OUT VOLTAGE MAX. ≤ 2 VDC FULL TEMP. RANGE
 COIL RESISTANCE 15 OHMS ±10%
 COIL CURRENT APPROX. 0.8 AMP
 COIL POWER APPROX. 10 W

TIME-MILLISECONDS-MAX.
 OPERATE 40
 BOUNCE 5
 RELEASE 20

WEIGHT 0.82 KG - 1.81 POUND MAX.
 WIRE SECTION (AT NOMINAL LOAD) MIN. 95mm²/ 0.147 sq. in./ AWG 0000
 MOUNTING POSITION OPTIONAL

SUBJECT TO CHANGE

| Date | Name | mm | Inch | Scale | Drawing No. |
|-------------------|-------|--------------------|------|-------|-------------|
| Create 25.02.2015 | Mielk | mm | Inch | 1:1 | 29-311-11 |
| Edited 06.11.2019 | Mielk | General Tolerances | | | |
| Check 06.11.2019 | Kaise | DIN ISO 2768 cl. | | | |

EC No. **300AMP. POWER RELAY (12VDC)** Page 2 of 2

Technical Data

ENVIRONMENTAL CHARACTERISTICS
 TEMPERATURE RANGE -40°C TO +85°C (-40°F TO +185°F)
 MAX. ALTITUDE RATING 50 000 FT
 SEAL IP67 (6 FT/ 0.2BAR 1 MIN) I.A.W. IEC 529
 IP6K9K (STEAM PRESSURE) DIN 40050 PART 9 AND I.A.W. IEC 529

SHOCK G-LEVEL 6G/ 11 MSEC
 VIBRATION 4G/ 50-2000 Hz

ELECTRICAL CHARACTERISTICS
 MIN. INSULATION RESISTANCE INITIAL 100 MEGOHMS
 AFTER LIVE OR ENVIRONMENTAL 50 MEGOHMS
 DIELECTRIC WITHSTANDING VOLTAGE SEA LEVEL 1 MINUTE: 1050 VOLTS
 ALTITUDE 1 MINUTE: 500 VOLTS

MAX. CONTACT DROP INITIAL 0.15 VDC
 AFTER LIFE TEST 0.175 VDC
 OVERLOAD 2400 AMP FOR 1 SEC, 600 AMP FOR 20 SEC
 DUTY RATING 300 AMP CONTINUOUS

RATED CONTACT LOAD
 RESISTIVE LOAD 200 000 CYCLES
 ENDURANCE 2 000 000 CYCLES

OPERATING CHARACTERISTICS

COIL DATA
 VOLTAGE RANGE 9-16 VDC
 NOMINAL VOLTAGE 12 VDC
 PICK UP VOLTAGE MAX. 9 VDC FULL TEMP. RANGE
 DROP OUT VOLTAGE MAX. ≤ 2 VDC FULL TEMP. RANGE
 COIL RESISTANCE 15 OHMS ±10%
 COIL CURRENT APPROX. 0.8 AMP
 COIL POWER APPROX. 10 W

TIME-MILLISECONDS-MAX.
 OPERATE 40
 BOUNCE 5
 RELEASE 20

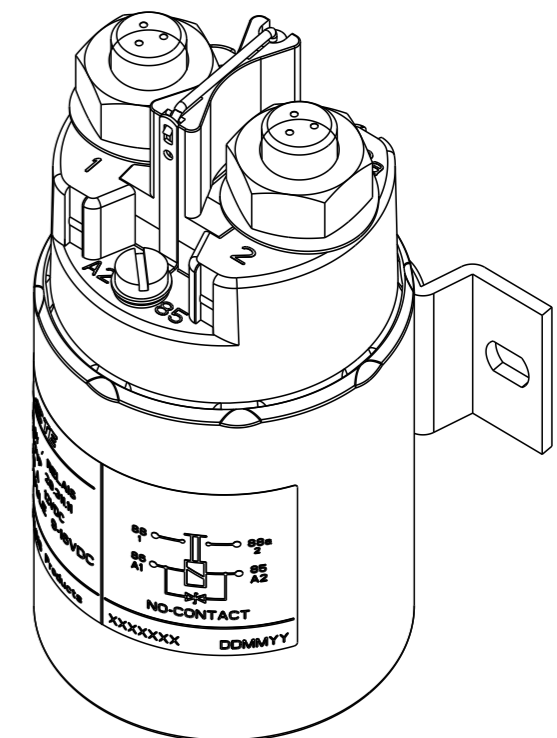
WEIGHT 0.82 KG - 1.81 POUND MAX.
 WIRE SECTION (AT NOMINAL LOAD) MIN. 95mm²/ 0.147 sq. in./ AWG 0000
 MOUNTING POSITION OPTIONAL

SUBJECT TO CHANGE

| Date | Name | mm | Inch | Scale | Drawing No. |
|-------------------|-------|--------------------|------|-------|-------------|
| Create 25.02.2015 | Mielk | mm | Inch | 1:1 | 29-311-11 |
| Edited 06.11.2019 | Mielk | General Tolerances | | | |
| Check 06.11.2019 | Kaise | DIN ISO 2768 cl. | | | |

NOTES:
Bemerkungen:

1 TE-CONNECTIVITY ORDER-NUMBER
TE-Connectivity Bestellnummer



| PART/TCPN NO. | REV. | DESCRIPTION | ITEM NO. |
|---------------|------|--|----------|
| K1021432 | 1 | 300AMP POWER RELAY (12VDC) 300AMP Leistungsrelais (12VDC) | 1 |

THIS DRAWING IS A CONTROLLED DOCUMENT.

DWN N.Mielke 25FEB2015
 CHK N.Mielke 06NOV2019
 APVD G.Kaiser 06NOV2019
 PRODUCT SPEC

APPLICATOR SPEC

WEIGHT

CUSTOMER DRAWING

DIMENSIONS: mm

TOLERANCES UNLESS OTHERWISE SPECIFIED: DIN ISO 2768 cl

0 PLC ±
 1 PLC ±
 2 PLC ±
 3 PLC ±
 4 PLC ±
 ANGLES ±

MATERIAL FINISH

TE TE Connectivity

NAME
300AMP POWER RELAY (12VDC)
300AMP Leistungsrelais (12VDC)

SIZE A3 CAGE CODE 00779 DRAWING NO C-29-311-11 RESTRICTED TO -

SCALE 1:1 SHEET 1 OF 1 REV A