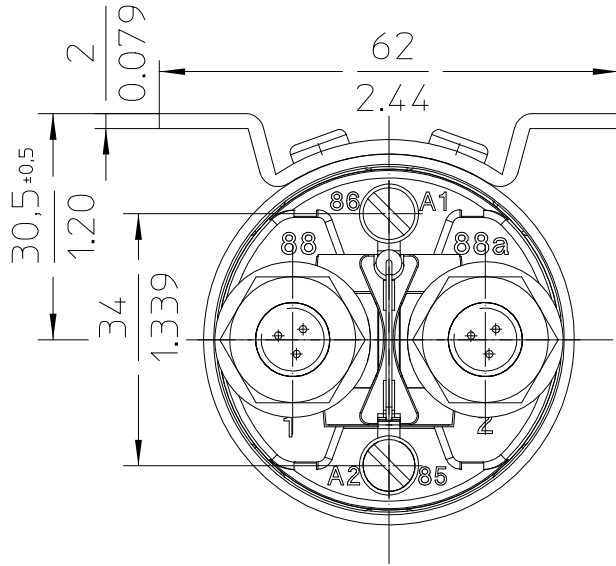
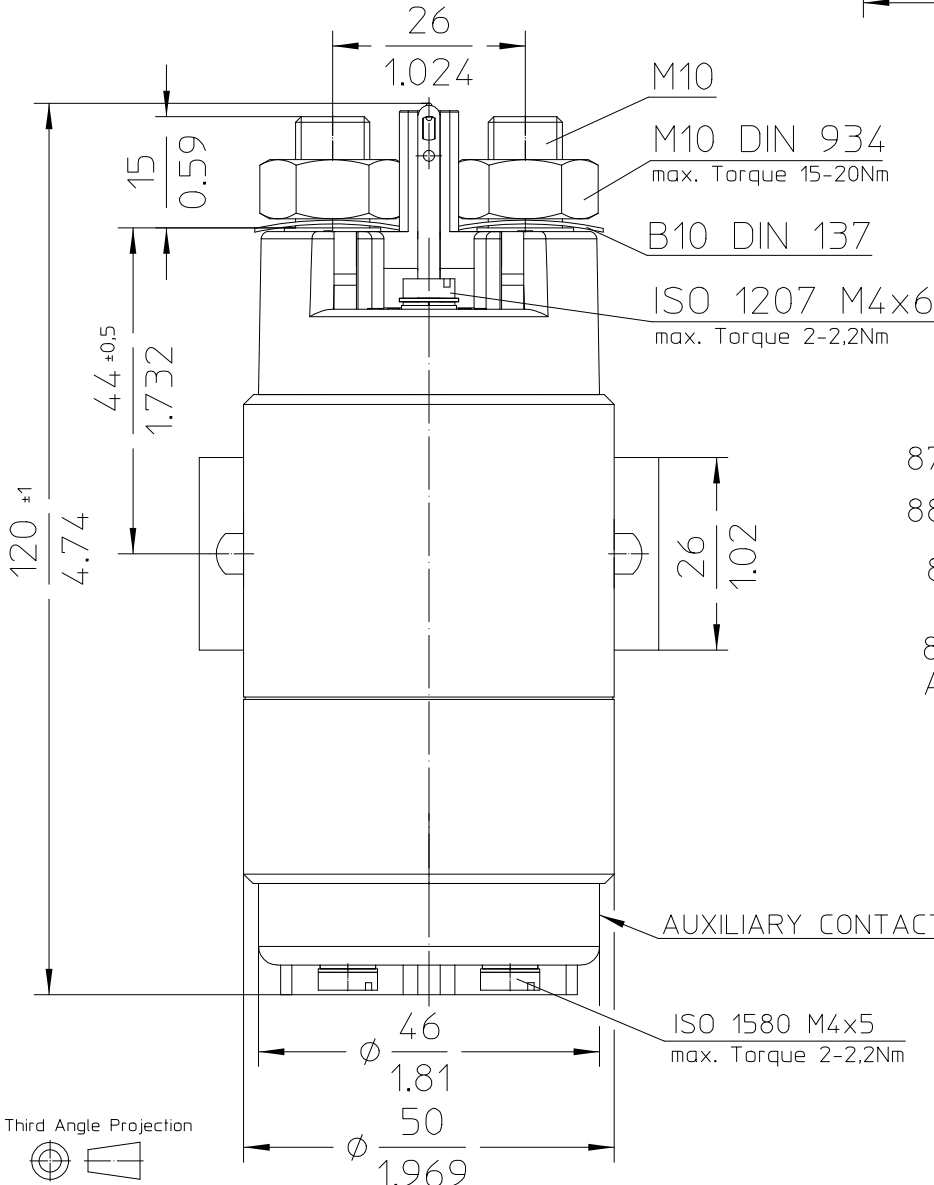
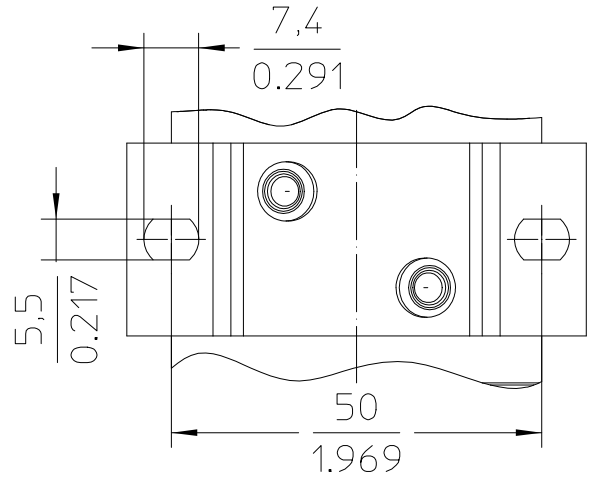


300AMP POWER RELAY (28VDC)

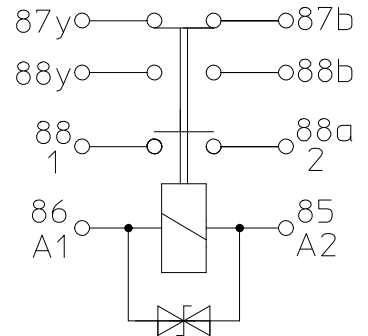
ENVIRONMENTALLY SEALED STANDARD SIDE MOUNTING AUXILIARY CONTACT



MOUNTING DIMENSION



CIRCUIT

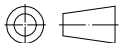


SUPPRESSION DEVICE

DIMENSIONAL TOLERANCES
 3 PLACE DECIMAL ±0.010
 2 PLACE DECIMAL ±0.03
 ANGULAR ±0°30'

For this drawing we reserve the copyright in accordance with DIN ISO 16016

Third Angle Projection



	Date	Name	mm inch	Scale 1:1		Drawing No:
Create	16.10.2019	Mielk	General Tolerances DIN ISO 2768 cL			29-311-12A
Edited	16.10.2019	Mielk			NSN:	
Check	18.10.2019	Kaise				

Technical Data

ENVIRONMENTAL CHARACTERISTICS

TEMPERATURE RANGE	-40°C TO +85°C (-40°F TO +185°F)
MAX. ALTITUDE RATING	50 000 FT
SEAL	IP67 (6 FT/ 0,2BAR 1 MIN.) I.A.W. IEC 529
	IP6K9K (STEAM PRESSURE) DIN 40050 PART 9 AND I.A.W. IEC 529
SHOCK G-LEVEL	6G/ 11 MSEC
VIBRATION	4G/ 50-2000 Hz

ELECTRICAL CHARACTERISTICS

MIN. INSULATION RESISTANCE INITIAL	100 MEGOHMS
AFTER LIFE OR ENVIRONMENTAL	50 MEGOHMS
DIELECTRIC WITHSTANDING VOLTAGE	SEA LEVEL 1 MINUTE: 1050 VOLTS
	ALTITUDE 1 MINUTE: 500 VOLTS
MAX. CONTACT DROP INITIAL	0,15 VDC
AFTER LIFE TEST	0,175 VDC
OVERLOAD	2400 AMP FOR 1 SEC, 600 AMP FOR 20 SEC
DUTY RATING	300 AMP CONTINUOUS

RATED CONTACT LOAD (12 VDC)

RESISTIVE LOAD	200 000 CYCLES
ENDURANCE	2 000 000 CYCLES

AUXILIARY CONTACT

CONTINUOUS CURRENT	2A
MAKE AND BREAK	2A

OPERATING CHARACTERISTICS

COIL DATA

VOLTAGE RANGE	18-32 VDC
NOMINAL VOLTAGE	28 VDC
PICK UP VOLTAGE MAX.	9 VDC FULL TEMP. RANGE
DROP OUT VOLTAGE MAX.	≤ 4 VDC FULL TEMP. RANGE
COIL RESISTANCE62 OHMS ±10%
COIL CURRENT APPROX.	0,4 AMP
COIL POWER APPROX.	APPROX. 10 W

TIME-MILLISECONDS-MAX.

OPERATE	40
BOUNCE	5
RELEASE	20

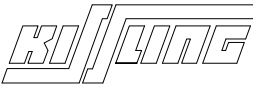
WEIGHT 0,82 KG = 1.81 POUND MAX.

WIRE SECTION (AT NOMINAL LOAD) MIN. 95mm²/ 0,147 sq. in./ AWG 0000

MOUNTING POSITION OPTIONAL

SUBJECT TO CHANGE

For this drawing we reserve the copyright in accordance with DIN ISO 16016

	Date	Name	mm ← →	Scale 1:1		Drawing No:
Create	16.10.2019	Mielk	General Tolerances DIN ISO 2768 cL			29-311-12A
Edited	16.10.2019	Mielk				NSN.:
Check	18.10.2019	Kaise				