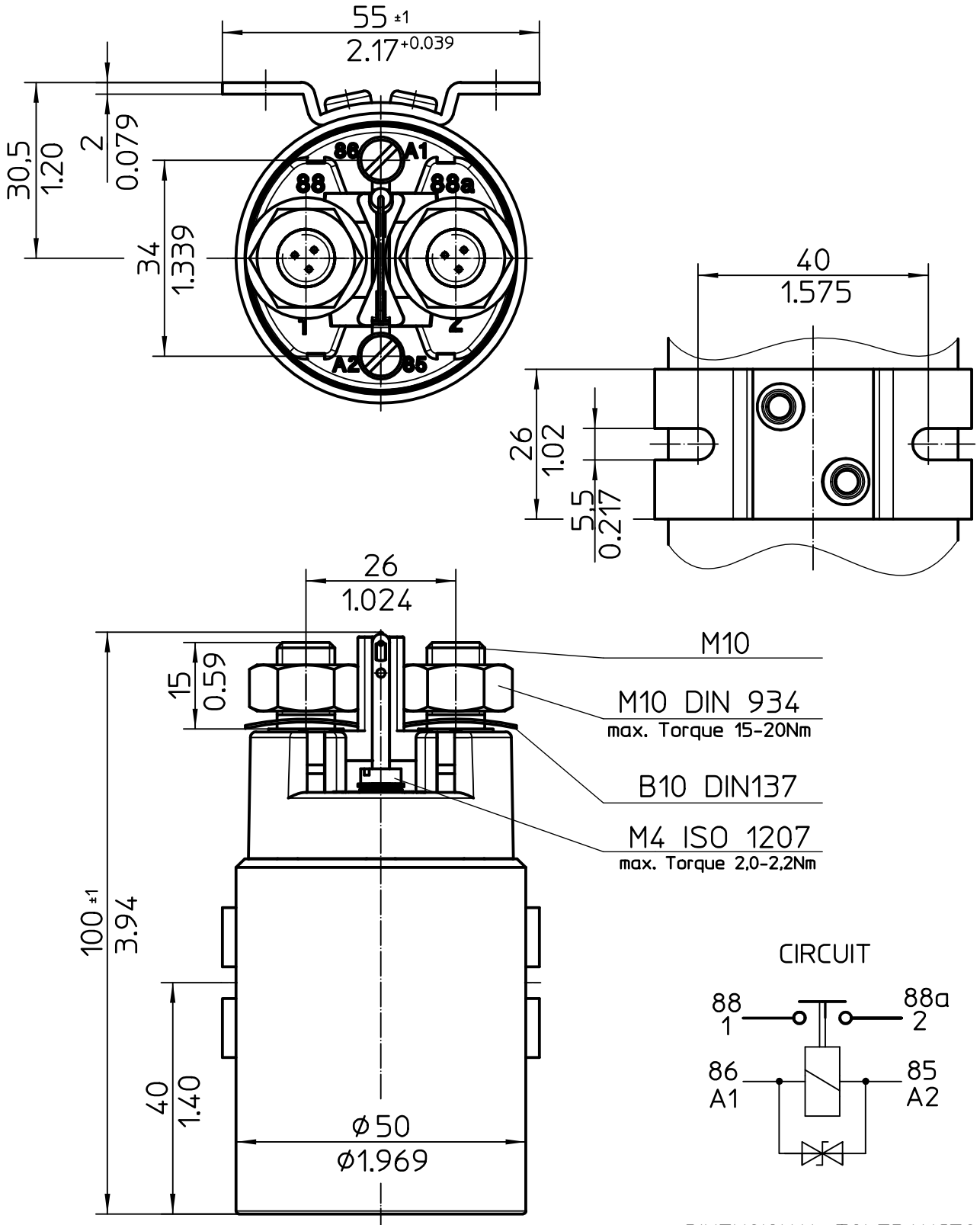
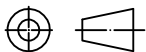


300AMP. POWER RELAY (12VDC)

SHORT FORM SIDE MOUNTING ENVIRONMENTALLY SEALED



Third Angle Projection



DIMENSIONAL TOLERANCES
 3 PLACE DECIMAL ±0.010
 2 PLACE DECIMAL ±0.03
 ANGULAR ±0°30'

	Date	Name	mm Inch	Scale 1:1		Drawing No:
Drawn	06.03.2015	Mielk	General Tolerances			29-312-11
Check	05.08.2015	Mielk	DIN ISO 2768 cL			NSN:

TECHNICAL DATA

ENVIRONMENTAL CHARACTERISTICS

TEMPERATUR RANGE.....-40°C TO +85°C (-40°F TO +185°F)
MAX. ALTITUDE RATING.....50 000FT
SEAL.....IP67 (6FEET/0,2BAR-1MIN.) I.A.W.IEC 529
IP6K9K (STEAM PRESSURE) DIN 40050 PART 9 AND I.A.W.IEC 529
SHOCK G-LEVEL.....6G/11 MSEC
VIBRATION.....4G/50-2000 Hz

ELECTRICAL CHARACTERISTICS

MIN.INSULATION RESISTANCE;INITIAL.....100 MEGOHMS
AFTER LIFE OR ENVIRONMENTAL.....50 MEGOHMS
DIELECTRIC WITHSTANDING VOLTAGE SEA-LEVEL 1MINUTE.....1 050 VOLTS
ALTITUDE 1MINUTE.....500 VOLTS
MAX.CONTACT DROP INITIAL.....0,15 VOLTS
AFTER LIFE TEST.....0,175 VOLTS
OVERLOAD.....2400 AMP FOR 1 SEC.,600 AMP FOR 20 SEC
DUTY RATING.....300AMP CONTINUOUS

RATED CONTACT LOAD

RESISTIVE LOAD.....200 000 CYCLES WITH 300 AMP
INDUCTIVE LOAD.....40 000 CYCLES WITH 75 AMP
MOTOR LOAD.....200 000 CYCLES WITH 300 AMP
ENDURANCE.....2 000 000 CYCLES

OPERATING CHARACTERISTICS

COIL DATA

VOLTAGE RANGE..... 9-16 VDC
NOMINAL VOLTAGE.....12 VDC
PICK UP VOLTAGE MAX. 9 VDC FULL TEMP.RANGE
DROP OUT VOLTAGE MAX.<2 VDC FULL TEMP.RANGE
COIL RESISTANCE.....15 OHMS ± 10%
COIL CURRENT APPROX.0,8 AMP
COIL POWER APPROX.10 WATT

TIME MILLISECONDS-MAX.


OPERATE40
BOUNCE.....5
RELEASE20

WEIGHT.....0,82kg= 1,81 POUND MAX.

WIRE SECTION (AT NOMINAL LOAD).....MIN. 95mm /0,147 sq. in./ AWG 0000

MOUNTING POSITION.....OPTIONAL

SUBJECT TO CHANGE

	Date	Name	mm ←	Scale 1:1		Drawing No: 29-312-11
Drawn	06.03.2015	Mielk		General Tolerances DIN ISO 2768 cL		NSN.:
Check	05.08.2015	Mielk				