

P	LTR	DESCRIPTION	DATE	DWN	APVD
	A	TE STANDARD UPDATED	16APR2024	KS	RB

EC No. 21992  
**300AMP.POWER RELAY (12VDC)**  
 BOTTOM MOUNTING ENVIRONMENTALLY SEALED  
 Page 1 of 2

**Technical Data**

**ENVIRONMENTAL CHARACTERISTICS**  
 TEMPERATURE RANGE: -40°C TO +85°C (-40°F TO +185°F)  
 MAX. ALTITUDE RATING: 50 000 FT  
 SEAL: IP67 (6 FT/ 0.2BAR 1 MIN) I.A.W. IEC 529  
 IP6K9K (STEAM PRESSURE) DIN 40050 PART 9 AND I.A.W. IEC 529

**SHOCK G-LEVEL**: 6G/ 11 MSEC  
**VIBRATION**: 4G/ 50-2000 Hz

**ELECTRICAL CHARACTERISTICS**  
 MIN. INSULATION RESISTANCE INITIAL: 100 MEGOHMS  
 AFTER LIVE OR ENVIRONMENTAL: 50 MEGOHMS  
 DIELECTRIC WITHSTANDING VOLTAGE: SEA LEVEL 1 MINUTE: 1050 VOLTS  
 ALTITUDE 1 MINUTE: 500 VOLTS

**MAX. CONTACT DROP INITIAL**: 0.15 VDC  
**AFTER LIFE TEST**: 0.175 VDC  
**OVERLOAD**: 2400 AMP FOR 1 SEC, 600 AMP FOR 20 SEC  
**DUTY RATING**: 300 AMP CONTINUOUS

**RATED CONTACT LOAD**  
 RESISTIVE LOAD: 200 000 CYCLES  
 ENDURANCE: 2 000 000 CYCLES

**OPERATING CHARACTERISTICS**

**COIL DATA**  
 VOLTAGE RANGE: 9-16 VDC  
 NOMINAL VOLTAGE: 12 VDC  
 PICK UP VOLTAGE MAX.: 9 VDC FULL TEMP. RANGE  
 DROP OUT VOLTAGE MAX.: ≤ 2 VDC FULL TEMP. RANGE  
 COIL RESISTANCE: 15 OHMS ±10%  
 COIL CURRENT APPROX.: 0.8 AMP  
 COIL POWER APPROX.: 10 W

**TIME-MILLISECONDS-MAX.**  
 OPERATE: 40  
 BOUNCE: 5  
 RELEASE: 20

**WEIGHT**: 0.82 KG - 1.81 POUND MAX.  
**WIRE SECTION (AT NOMINAL LOAD)**: MN. 95mm<sup>2</sup>/ 0.147 sq. in./ AWG 0000  
**MOUNTING POSITION**: OPTIONAL

SUBJECT TO CHANGE

For this drawing we reserve the copyright in accordance with DIN ISO 16016

Date	Name	mm	Scale	Drawing No.
Create 03.06.2015	Mielk	mm	1:1	29-313-11
Edited 16.10.2019	Mielk	Inch		
Check 18.10.2019	Kaise	General Tolerances DIN ISO 2768-cl		NSN:

EC No. 21992  
**300AMP.POWER RELAY (12VDC)**  
 Page 2 of 2

**Technical Data**

**ENVIRONMENTAL CHARACTERISTICS**  
 TEMPERATURE RANGE: -40°C TO +85°C (-40°F TO +185°F)  
 MAX. ALTITUDE RATING: 50 000 FT  
 SEAL: IP67 (6 FT/ 0.2BAR 1 MIN) I.A.W. IEC 529  
 IP6K9K (STEAM PRESSURE) DIN 40050 PART 9 AND I.A.W. IEC 529

**SHOCK G-LEVEL**: 6G/ 11 MSEC  
**VIBRATION**: 4G/ 50-2000 Hz

**ELECTRICAL CHARACTERISTICS**  
 MIN. INSULATION RESISTANCE INITIAL: 100 MEGOHMS  
 AFTER LIVE OR ENVIRONMENTAL: 50 MEGOHMS  
 DIELECTRIC WITHSTANDING VOLTAGE: SEA LEVEL 1 MINUTE: 1050 VOLTS  
 ALTITUDE 1 MINUTE: 500 VOLTS

**MAX. CONTACT DROP INITIAL**: 0.15 VDC  
**AFTER LIFE TEST**: 0.175 VDC  
**OVERLOAD**: 2400 AMP FOR 1 SEC, 600 AMP FOR 20 SEC  
**DUTY RATING**: 300 AMP CONTINUOUS

**RATED CONTACT LOAD**  
 RESISTIVE LOAD: 200 000 CYCLES  
 ENDURANCE: 2 000 000 CYCLES

**OPERATING CHARACTERISTICS**

**COIL DATA**  
 VOLTAGE RANGE: 9-16 VDC  
 NOMINAL VOLTAGE: 12 VDC  
 PICK UP VOLTAGE MAX.: 9 VDC FULL TEMP. RANGE  
 DROP OUT VOLTAGE MAX.: ≤ 2 VDC FULL TEMP. RANGE  
 COIL RESISTANCE: 15 OHMS ±10%  
 COIL CURRENT APPROX.: 0.8 AMP  
 COIL POWER APPROX.: 10 W

**TIME-MILLISECONDS-MAX.**  
 OPERATE: 40  
 BOUNCE: 5  
 RELEASE: 20

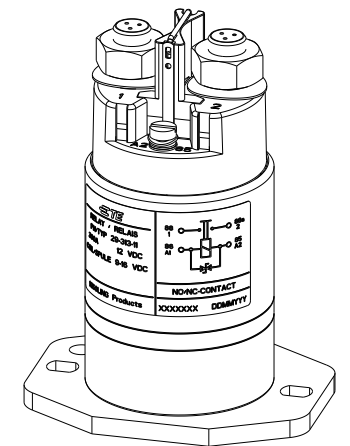
**WEIGHT**: 0.82 KG - 1.81 POUND MAX.  
**WIRE SECTION (AT NOMINAL LOAD)**: MN. 95mm<sup>2</sup>/ 0.147 sq. in./ AWG 0000  
**MOUNTING POSITION**: OPTIONAL

SUBJECT TO CHANGE

For this drawing we reserve the copyright in accordance with DIN ISO 16016

Date	Name	mm	Scale	Drawing No.
Create 03.06.2015	Mielk	mm	1:1	29-313-11
Edited 16.10.2019	Mielk	Inch		
Check 18.10.2019	Kaise	General Tolerances DIN ISO 2768-cl		NSN:

NOTE:  
 Bemerkungen:  
 1 TE-CONNECTIVITY ORDER-NUMBER  
 TE-Connectivity Bestellnummer



K1020898	1	A	300AMP POWER RELAY(12VDC) 300AMP Leistungsrelais(12VDC)	1
TE ORDER-NO.	REV.		DESCRIPTION	ITEM NO
<b>TE</b> TE Connectivity				
NAME 300AMP.POWER RELAY(12VDC) 300AMP Leistungsrelais(12VDC)				
SIZE	CAGE CODE	DRAWING NO	RESTRICTED TO	
A3	00779	©-29-313-11	-	
CUSTOMER DRAWING			SCALE 1:1	SHEET 1 OF 1 REV A

THIS DRAWING IS A CONTROLLED DOCUMENT.		DWN	N.Mielke	03JUN2015
		CHK	N.Mielke	16OCT2019
		APVD	G.Kaiser	18OCT2019
		PRODUCT SPEC		
		APPLICATION SPEC		
		WEIGHT		
		CUSTOMER DRAWING		

DIMENSIONS:	TOLERANCES UNLESS OTHERWISE SPECIFIED:
mm	DIN ISO 2768-cl
	0 PLC ±
	1 PLC ±
	2 PLC ±
	3 PLC ±
	4 PLC ±
	ANGLES ±
MATERIAL	FINISH