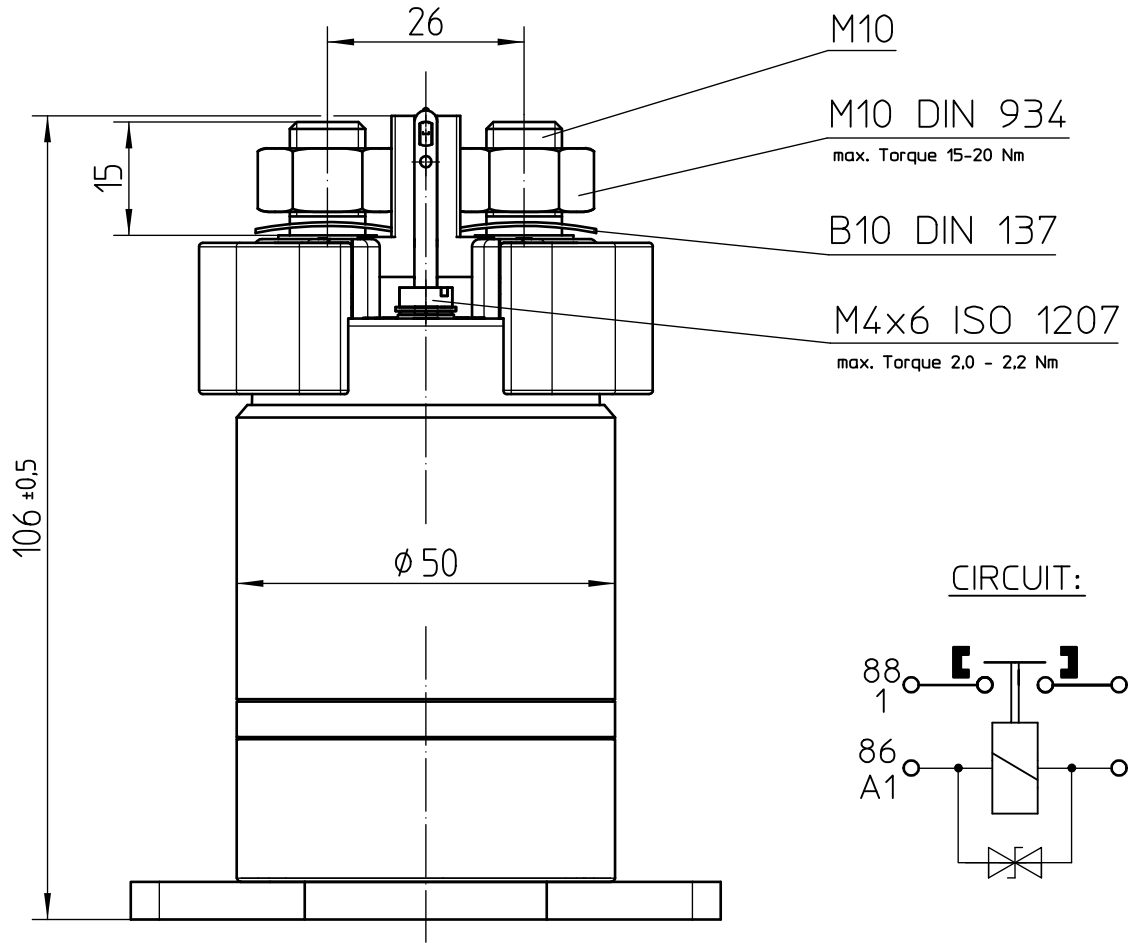


# 300 AMP POWER RELAY (24/28VDC)

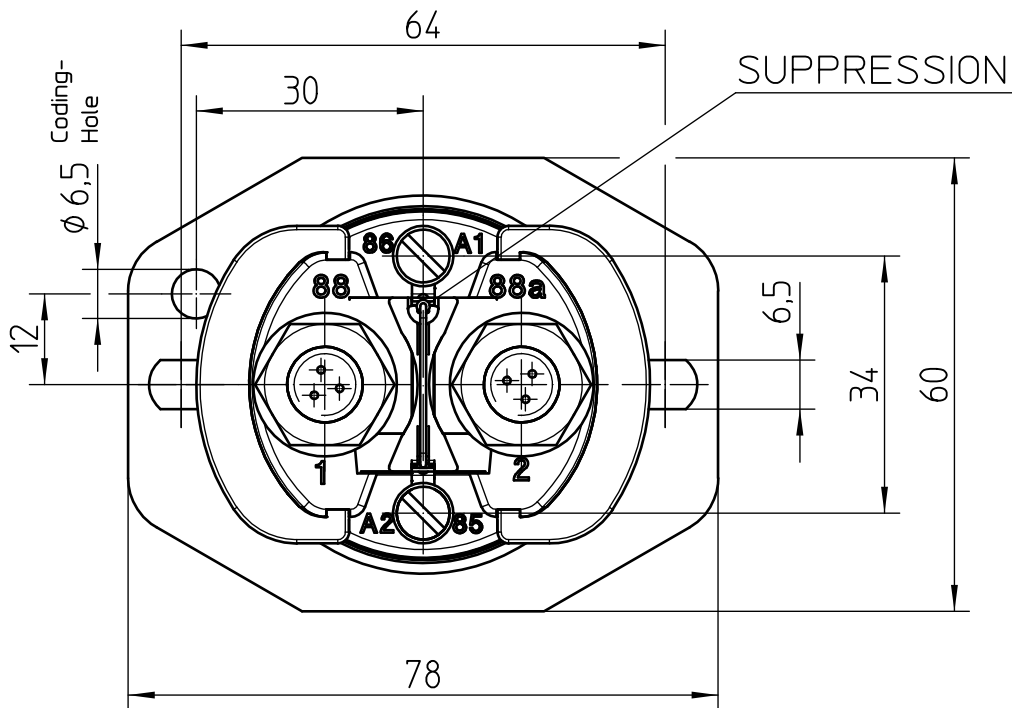
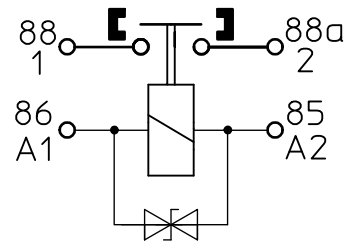
BOTTOM MOUNTING

SUPPRESSION

MAGNETIC BLOWOUTS

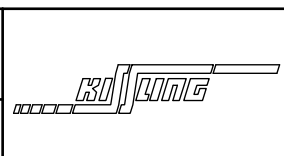


### CIRCUIT:



	Date	Name
Drawn	24.06.2008	Kaise
Check	07.12.2009	Kaise

mm	Scale
$\longleftrightarrow$	1:1
General Tolerances	



Drawing No:	29-313-12-B
NSN.:	

