

P	LTR	DESCRIPTION	DATE	DWN	APVD
	A	TE STANDARD	24APR2024	KS	RB

EC No. **500AMP. POWER RELAY (24 VDC)** Page 1 of 2
 ENVIRONMENTALLY SEALED SUPPRESSION DEVICE SIDE MOUNTING AUXILIARY CONTACTS

MOUNTING DIMENSION
 94, 3.71, 1.67, 42.5 ±0.5, 2.5, 0.098, 52, 2.05, 1, 2, 88, 88b, 86, A1, AZ

CIRCUIT
 87y, 87b, 88y, 88b, 88, 88a, 86, 85, A1, AZ, SUPPRESSION DEVICE

Suppression Diode
 29-400-50

M12, M12 DIN 439 max. Torque 18-22Nm, B12 DIN 137, ISO 1207 M4x6 max. Torque 2-2.2Nm, ø68, ø2.68, 140.5 ±1, 5.53, 122 ±1, 4.8, 25, 1.496, 37, 1.457, 3.07, 78, 60, 2.36, 8.5, 0.335, 6.5, 0.256, 34.5, 1.36, 38, 1.496, M4x5 ISO 1580 max. Torque 2-2.2Nm, AUXILIARY CONTACT, Third Angle Projection

DIMENSIONAL TOLERANCES
 3 PLACE DECIMAL ±0.010
 2 PLACE DECIMAL ±0.03
 ANGULAR ±0°30'

Date	Name	mm	Inch	Scale	Drawing No.
Create 14.07.2004	Hamar	mm	Inch	1:1.3	29-511-12A
Edited 22.10.2019	Mielk	General Tolerances			
Check 22.10.2019	Kaise	DIN ISO 2768 cl.			

EC No. **500AMP. POWER RELAY (24 VDC)** Page 2 of 2
 ENVIRONMENTALLY SEALED STANDARD SIDE MOUNTING AUXILIARY CONTACT

Technical Data

ENVIRONMENTAL CHARACTERISTICS
 TEMPERATURE RANGE -40°C TO +85°C (-40°F TO +185°F)
 MAX. ALTITUDE RATING 50 000 FT
 SEAL IP67 (6 FT/ 0.2BAR 1 MIN.) I.A.W. IEC 529
 IP6K9K (STEAM PRESSURE) DIN 40050 PART 9 AND I.A.W. IEC 529

SHOCK G-LEVEL 6G/ 11 MSEC
VIBRATION 4G/ 50-2000 Hz

ELECTRICAL CHARACTERISTICS
 MIN. INSULATION RESISTANCE INITIAL 100 MEGOHMS
 AFTER LIVE OR ENVIRONMENTAL 50 MEGOHMS
 DIELECTRIC WITHSTANDING VOLTAGE SEA LEVEL 1 MINUTE: 1050 VOLTS
 ALTITUDE 1 MINUTE: 500 VOLTS

MAX. CONTACT DROP INITIAL 0.175 VDC
AFTER LIFE TEST 0.175 VDC
OVERLOAD 4000 AMP FOR 1 SEC, 1800 AMP FOR 20 SEC
DUTY RATING 500 AMP CONTINUOUS

RATED CONTACT LOAD (12 VDC)
 RESISTIVE LOAD 100 000 CYCLES
 ENDURANCE 1 000 000 CYCLES

AUXILIARY CONTACT
 CONTINUOUS CURRENT 2A
 MAKE AND BREAK 2A

OPERATING CHARACTERISTICS

COIL DATA
 VOLTAGE RANGE 18-32 VDC
 NOMINAL VOLTAGE 28 VDC
 PICK UP VOLTAGE MAX. 18 VDC FULL TEMP. RANGE
 DROP OUT VOLTAGE MAX. ≤ 4 VDC FULL TEMP. RANGE
 COIL RESISTANCE 36 OHMS ±10%
 COIL CURRENT APPROX. 0.78 AMP
 COIL POWER APPROX. APPROX. 22 W

TIME-MILLISECONDS-MAX.
 OPERATE 60
 BOUNCE 5
 RELEASE 30

WEIGHT 1.60 KG = 3.53 POUND MAX.

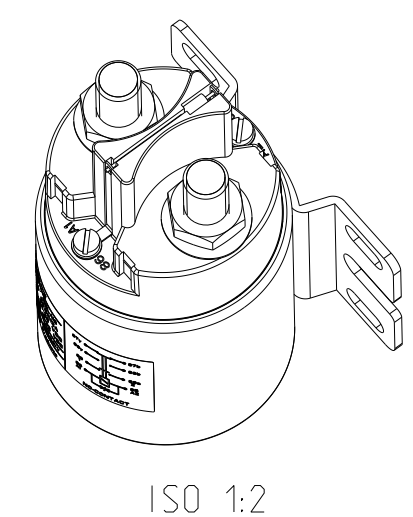
WIRE SECTION (AT NOMINAL LOAD) MIN. 150mm²/ 0.233 sq. in./ MCM 300

MOUNTING POSITION OPTIONAL

SUBJECT TO CHANGE

Date	Name	mm	Inch	Scale	Drawing No.
Create 14.07.2004	Hamar	mm	Inch	1:1.3	29-511-12A
Edited 22.10.2019	Mielk	General Tolerances			
Check 22.10.2019	Kaise	DIN ISO 2768 cl.			

NOTES:
 Bemerkungen:
 1 TE-CONNECTIVITY ORDER-NUMBER
 TE-Connectivity Bestellnummer



K1131955	1	A	500AMP POWER RELAY (24VDC) 500AMP Leistungsrelais (24VDC)	1
PART/TCPN NO.	REV.	DESCRIPTION	ITEM NO.	



THIS DRAWING IS A CONTROLLED DOCUMENT.

DWN	E.Hamarat	14 JUL 2004
CHK	N.Mielke	22OCT 2019
APVD	G.Kaiser	22OCT 2019

DIMENSIONS:	TOLERANCES UNLESS OTHERWISE SPECIFIED:
mm	DIN ISO 2768 mK
	0 PLC ±
	1 PLC ±
	2 PLC ±0.03
	3 PLC ±0.010
	4 PLC ±
ANGLES	±0°30'
MATERIAL	FINISH

PRODUCT SPEC	APPLIED TO
APPLICATION SPEC	APPLIED TO
WEIGHT	APPLIED TO
CUSTOMER DRAWING	APPLIED TO

NAME			500AMP POWER RELAY (24VDC) 500AMP Leistungsrelais (24VDC)
SIZE	CAGE CODE	DRAWING NO	RESTRICTED TO
A3	00779	©=29-511-12A	-
SCALE		SHEET	REV
1:1		1 OF 1	A