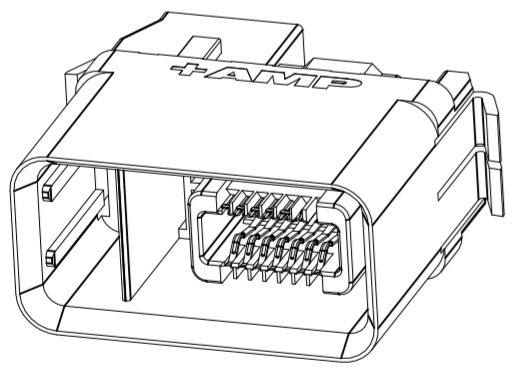
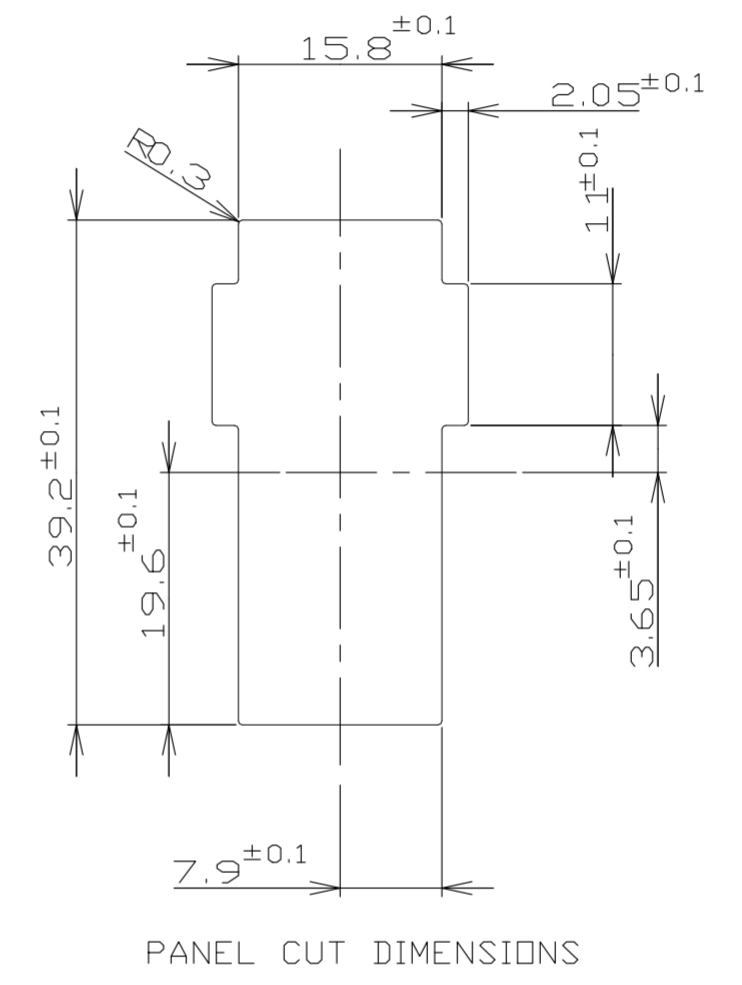
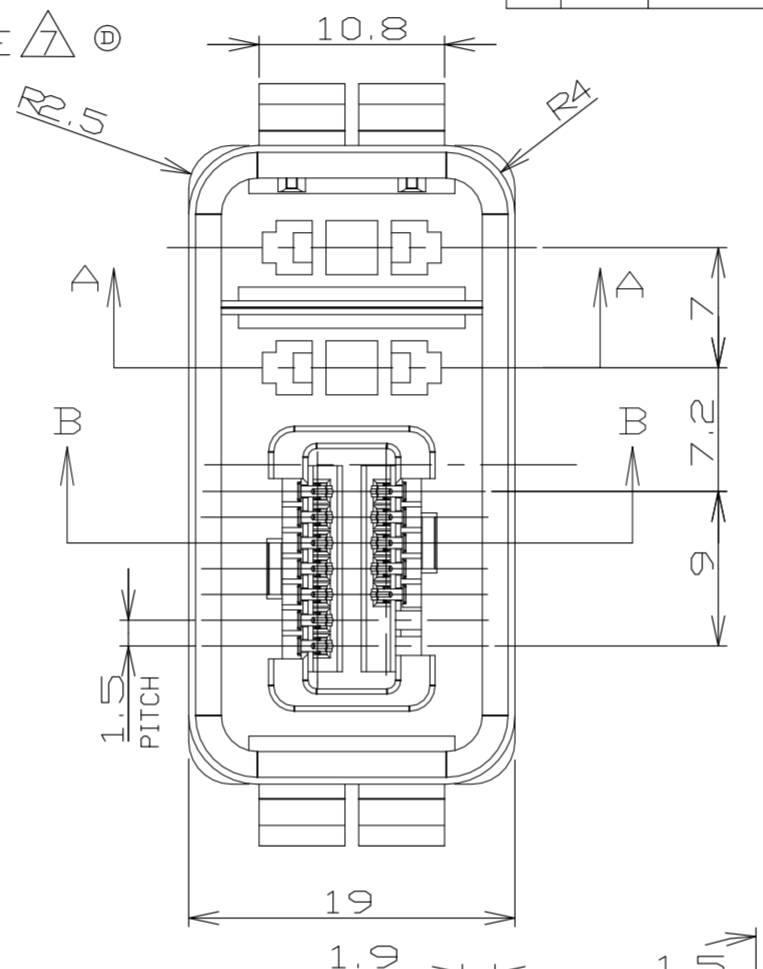
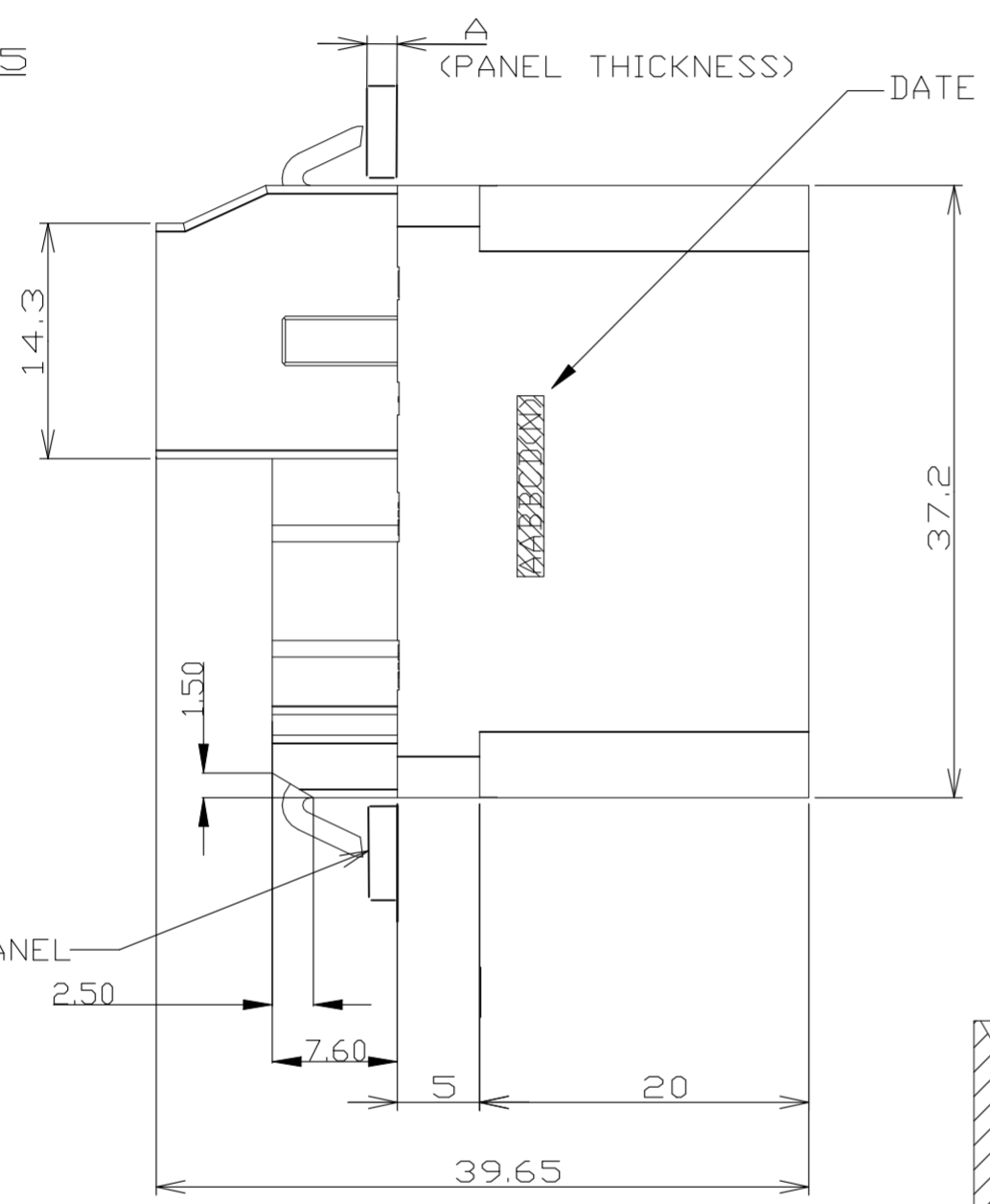
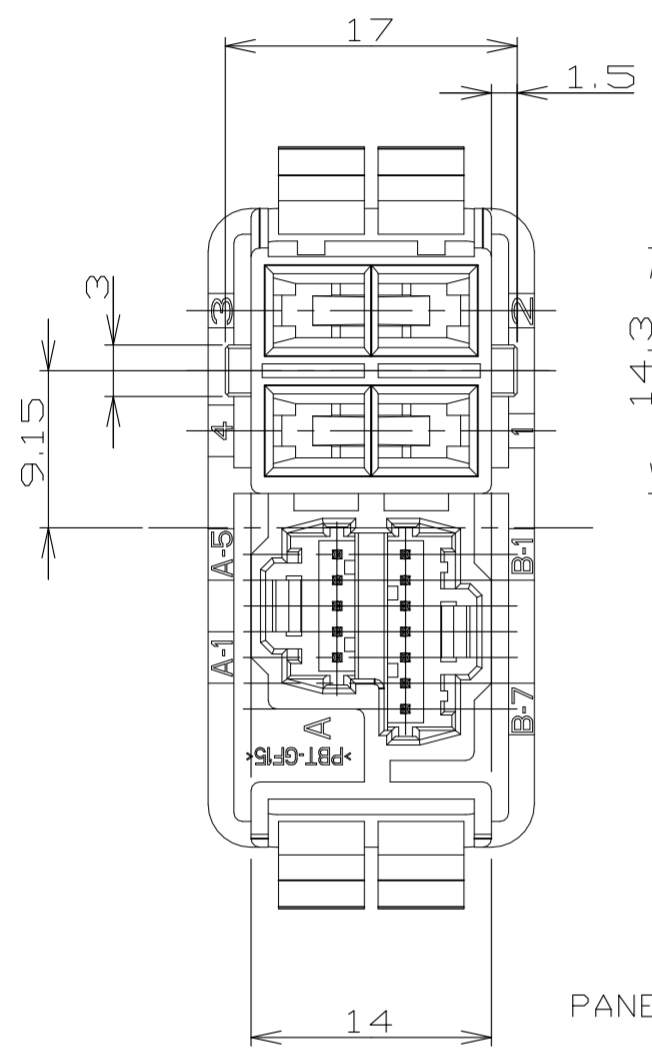


4 3 2 1

THIS DRAWING IS UNPUBLISHED. RELEASED FOR PUBLICATION
 © COPYRIGHT BY TYCO ELECTRONICS CORPORATION. ALL RIGHTS RESERVED.

LOC		DIST		REVISIONS					
ES		00		P	LTR	DESCRIPTION	DATE	DWN	APVD
				D2		REVISED ECR-23-195556	01DEC23	SSM	S.P



SCALE 6:5

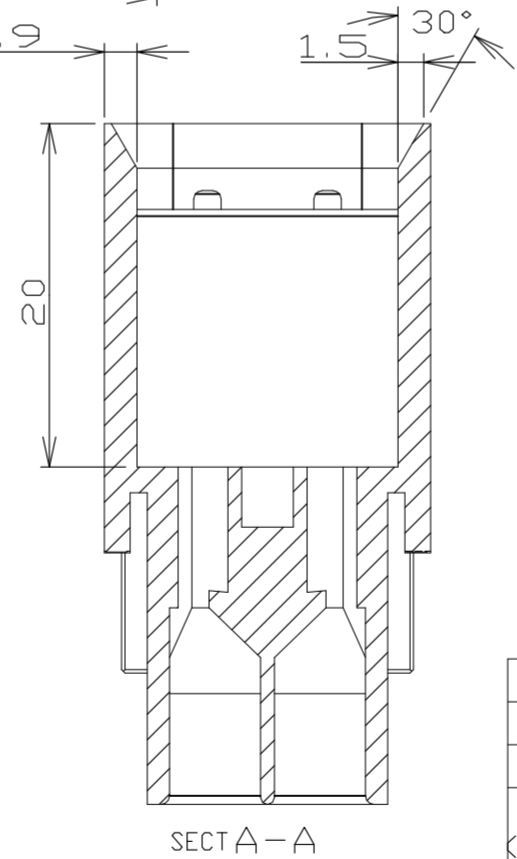
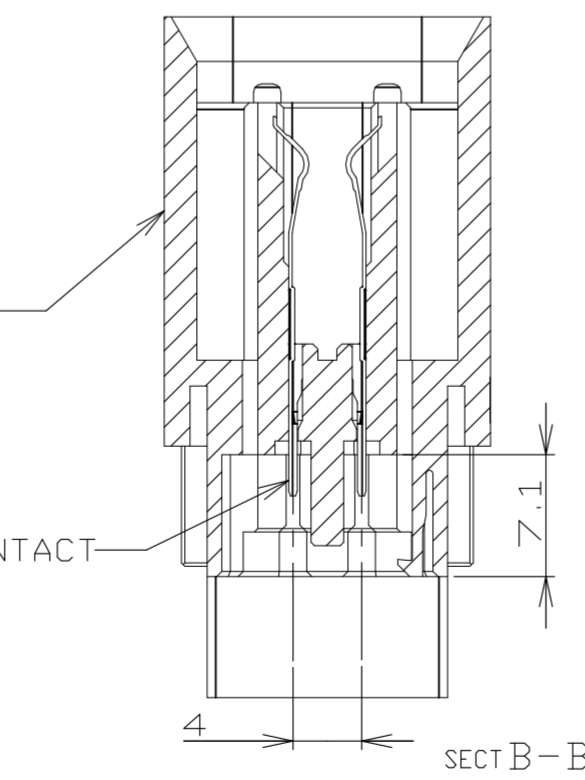
- NOTES:
 ① USE WITH MT REC. CONN P/N: X-353293-X
 CRIMP HSG P/N: X-353908-X
 CRIMP CONT P/N: 353907-1
 353918-1(L/P)

2. APPLICABLE POWER CONTACT P/N

FINISH	AWG	STRIP	LOOSE PIECE
GOLD	#16-20	179321-3	
PLT	#20-24	179322-3	
TIN	#16-20	179321-2	
PLT	#20-24	179322-2	

- △ P: NUMBER OF POWER CONTACT (UNASSEMBLED)
 S: NUMBER OF SIGNAL CONTACT (ASSEMBLED)
 6: MATING COUNTER P/N: X-84684-X, X-292242-X.
 △ LOCATION OF DATE CODE (PRINTED BY HOT-BAR):
 AABBCD(N)
 (AA: YEAR, BB: WEEK, C: DAY OF WEEK,
 D: DAYTIME, N: NIGHT)

- △ MATERIAL:
 HOUSING: PBT G.F. UL94V-0 COLOR: BLACK
 SIGNAL CONTACT: PHOSPHOR BRONZE
 FINISH:
 CONTACT: NICKEL UNDERPLATE ALL OVER
 CONTACT AREA: GOLD PLATE.
 POST AREA: MATTE TIN PLATE.



THIS DRAWING IS A CONTROLLED DOCUMENT FOR TYCO ELECTRONICS CORPORATION
 IT IS SUBJECT TO CHANGE AND THE CONTROLLING ENGINEERING ORGANIZATION
 SHOULD BE CONTACTED FOR THE LATEST REVISION.

DIMENSIONS:	TOLERANCES UNLESS OTHERWISE SPECIFIED:
mm	
0 PLC	±
1 PLC	±0.25
2 PLC	±0.25
3 PLC	±0.25
4 PLC	±
ANGLES	±3°
MATERIAL	FINISH
SEE NOTE △	SEE NOTE △

DWN	S.XU	31JAN03
CHK	S.YAO	31JAN03
APVD	T.SASAKI	31JAN03
PRODUCT SPEC	108-60027	
APPLICATION SPEC	114-5182	
WEIGHT		
CUSTOMER DRAWING		

Tyco Electronics		Tyco Electronics Corporation	
		Shanghai, PRC	
NAME			
PLUG ASS'Y FOR 1.5mm PITCH MINI CT			
SNAP-FIT HYBRID DRAWER CONNECTOR			
SIZE	CAGE CODE	DRAWING NO	RESTRICTED TO
A3	00779	292241	
SCALE 2:1		SHEET 1 OF 1	REV D2