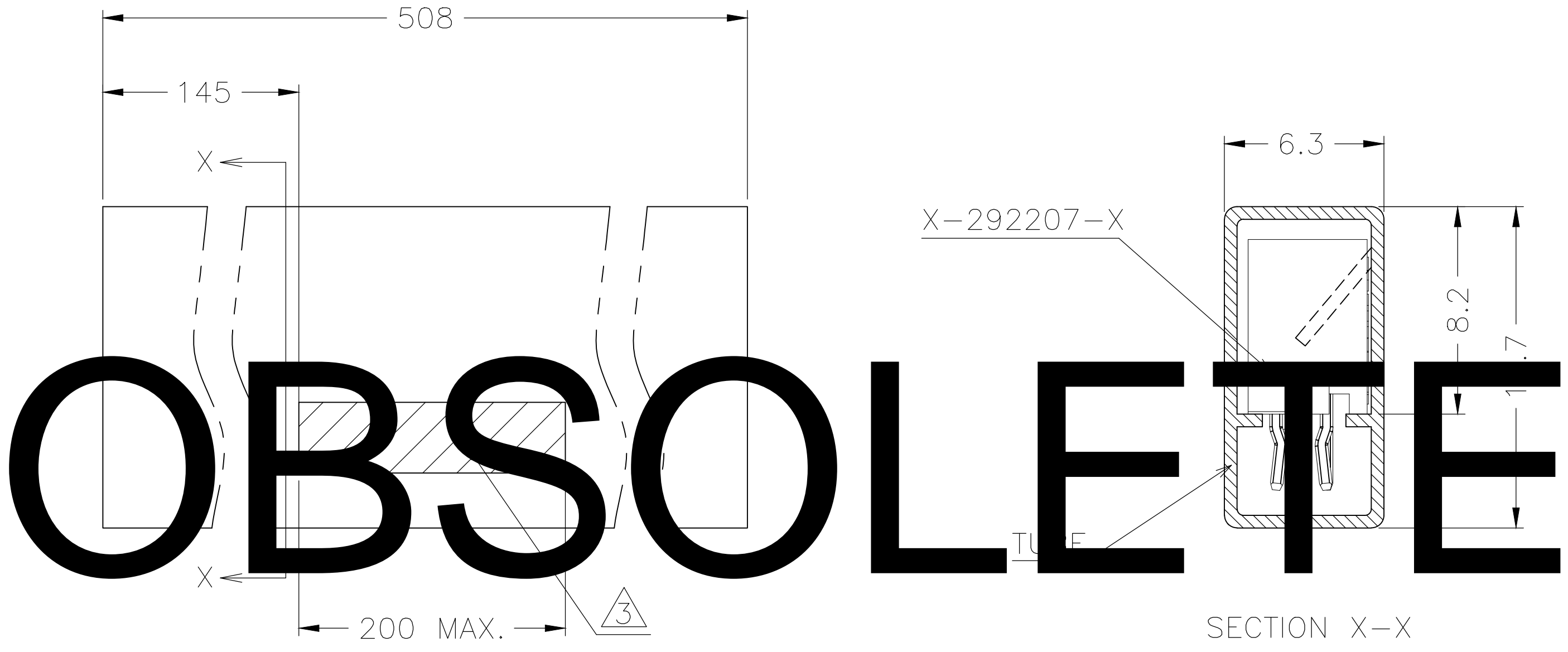



REVISIONS					
P	LTR	DESCRIPTION	DATE	DWN	APVD
	A2	REVISED ECR-19-019743	02JUN20	J.J	W.H



THIS DRAWING IS A CONTROLLED DOCUMENT.		DWN C.ZHU 01FEB07	 TE Connectivity Ltd.		
DIMENSIONS: mm		CHK S.YAO 01FEB07			
TOLERANCES UNLESS OTHERWISE SPECIFIED:		APVD S.YAO 01FEB07	NAME TUBE PACKING AMP MINI CT CONN. SGL ROW POST HDR ASS'Y (BOX-V DIP WITH KINK)		
0 PLC ± - 1 PLC ± - 2 PLC ± - 3 PLC ± - 4 PLC ± - ANGLES ± -		PRODUCT SPEC 108-60018	RESTRICTED TO		
MATERIAL		APPLICATION SPEC	SIZE A3	CAGE CODE 00779	DRAWING NO C-292486
FINISH		WEIGHT -	SCALE 1:1		SHEET 1 OF 2
		CUSTOMER DRAWING	REV A2		


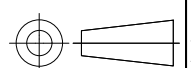
P	LTR	DESCRIPTION	DATE	DWN	APVD
-	-	SEE SHEET 1	-	-	-

NAME	POS	IN TUBE P/N	QTY'S	MINI CT POST HDR ASS'Y (BOX-V DIP) WITH KINK	COLOR	NAME	POS	IN TUBE P/N	QTY'S	MINI CT POST HDR ASS'Y (BOX-V DIP) WITH KINK	COLOR
	20	2-292486-0	14	2-292207-0			20	4-292486-0	14	4-292207-0	
	19	1-292486-9	15	1-292207-9			19	3-292486-9	15	3-292207-9	
	18	1-292486-8	16	1-292207-8			18	3-292486-8	16	3-292207-8	
	17	1-292486-7	17	1-292207-7			17	3-292486-7	17	3-292207-7	
	16	1-292486-6	18	1-292207-6			16	3-292486-6	18	3-292207-6	
	15	1-292486-5	19	1-292207-5			15	3-292486-5	19	3-292207-5	
	14	1-292486-4	20	1-292207-4			14	3-292486-4	20	3-292207-4	
	13	1-292486-3	22	1-292207-3			13	3-292486-3	22	3-292207-3	
	12	1-292486-2	23	1-292207-2			12	3-292486-2	23	3-292207-2	
	11	1-292486-1	25	1-292207-1			11	3-292486-1	25	3-292207-1	BLACK
	10	292486-0	27	292207-0			10	3-292486-0	27	3-292207-0	
	9	292486-9	30	292207-9			9	2-292486-9	30	2-292207-9	
	8	292486-8	33	292207-8			8	2-292486-8	33	2-292207-8	
	7	292486-7	37	292207-7			7	2-292486-7	37	2-292207-7	
	6	292486-6	41	292207-6			6	2-292486-6	41	2-292207-6	
	5	292486-5	48	292207-5			5	2-292486-5	48	2-292207-5	
	4	292486-4	56	292207-4			4	2-292486-4	56	2-292207-4	
	3	292486-3	68	292207-3			3	2-292486-3	68	2-292207-3	
	2	292486-2	87	292207-2			2	2-292486-2	87	2-292207-2	

OBESOLETE

NOTES:

1. TUBE P/N 97129-1
2. THIS PRODUCT IS IN TUBE PACKING OF P/N 292207
3. PART NOS, PRODUCT DESCRIPTION, COMPANY NAME.
4. TUBE THICKNESS: 0.5mm

THIS DRAWING IS A CONTROLLED DOCUMENT.		DWN C.ZHU 01FEB07	 TE Connectivity Ltd.	
DIMENSIONS: mm		CHK S.YAO 01FEB07		
		APVD S.YAO 01FEB07	NAME TUBE PACKING AMP MINI CT CONN. SGL ROW POST HDR ASS'Y (BOX-V DIP WITH KINK)	
TOLERANCES UNLESS OTHERWISE SPECIFIED:		PRODUCT SPEC 108-60018	RESTRICTED TO	
0 PLC ± -		APPLICATION SPEC	SIZE A3	CAGE CODE 00779
1 PLC ± -		WEIGHT -	DRAWING NO C-292486	REV A2
2 PLC ± -		CUSTOMER DRAWING	SCALE 1:1	SHEET 2 OF 2
3 PLC ± -				
4 PLC ± -				
ANGLES ± -				
FINISH				
MATERIAL				