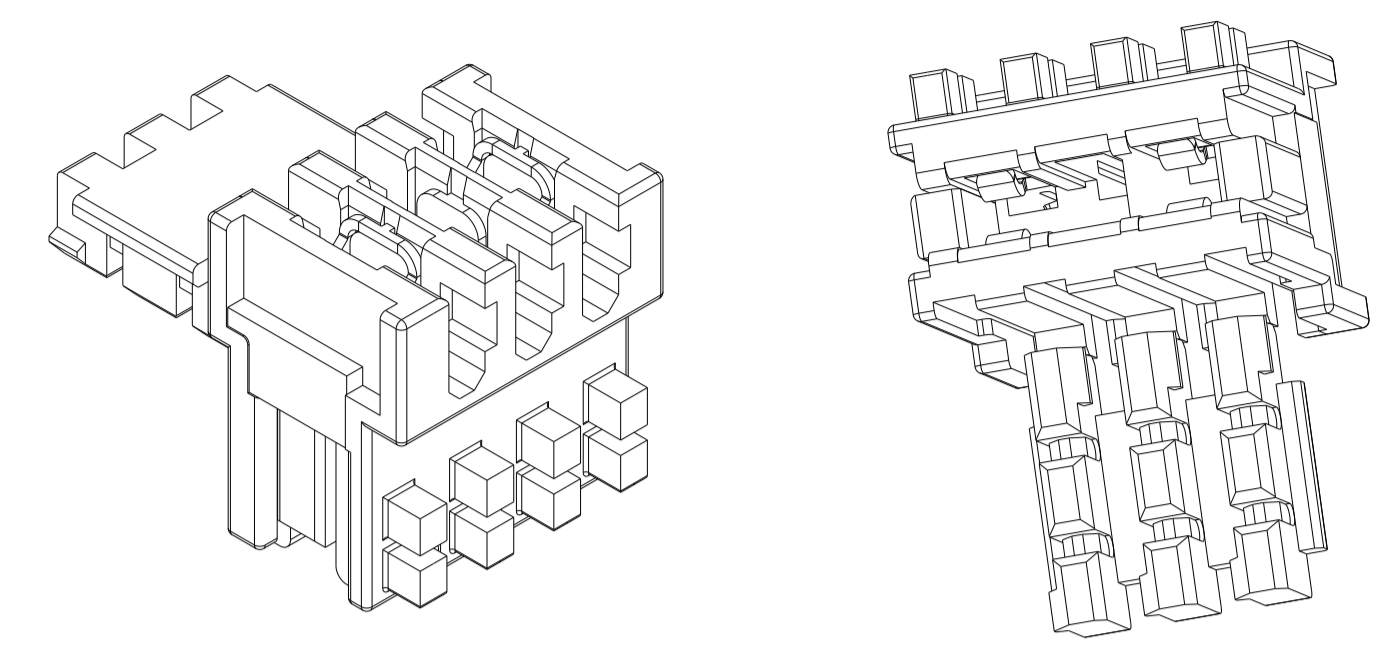
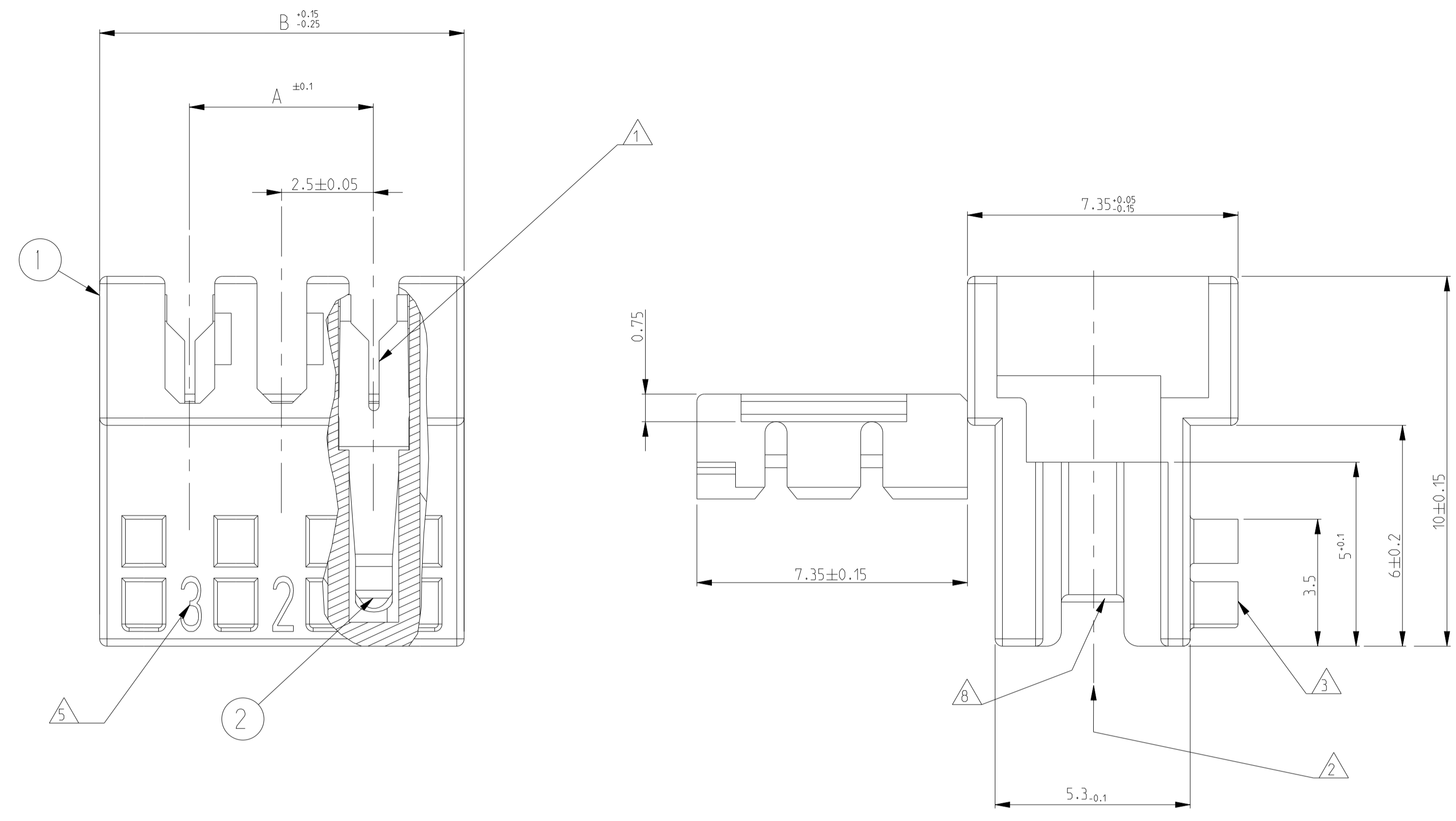
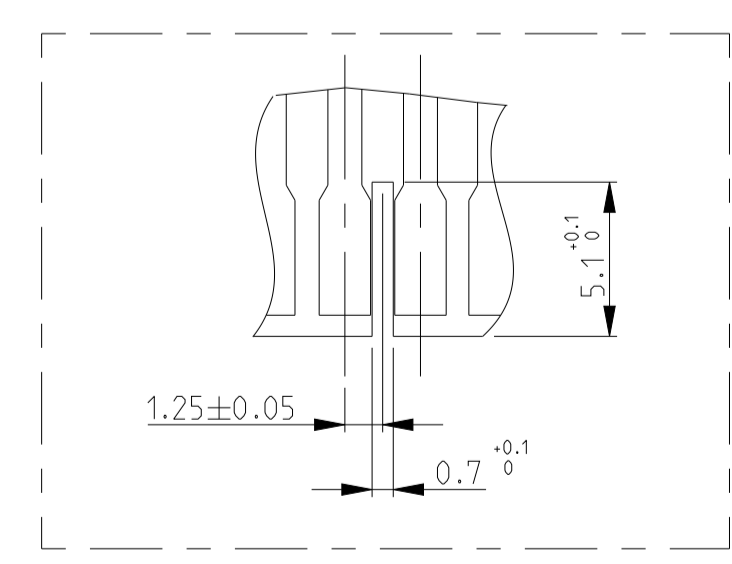
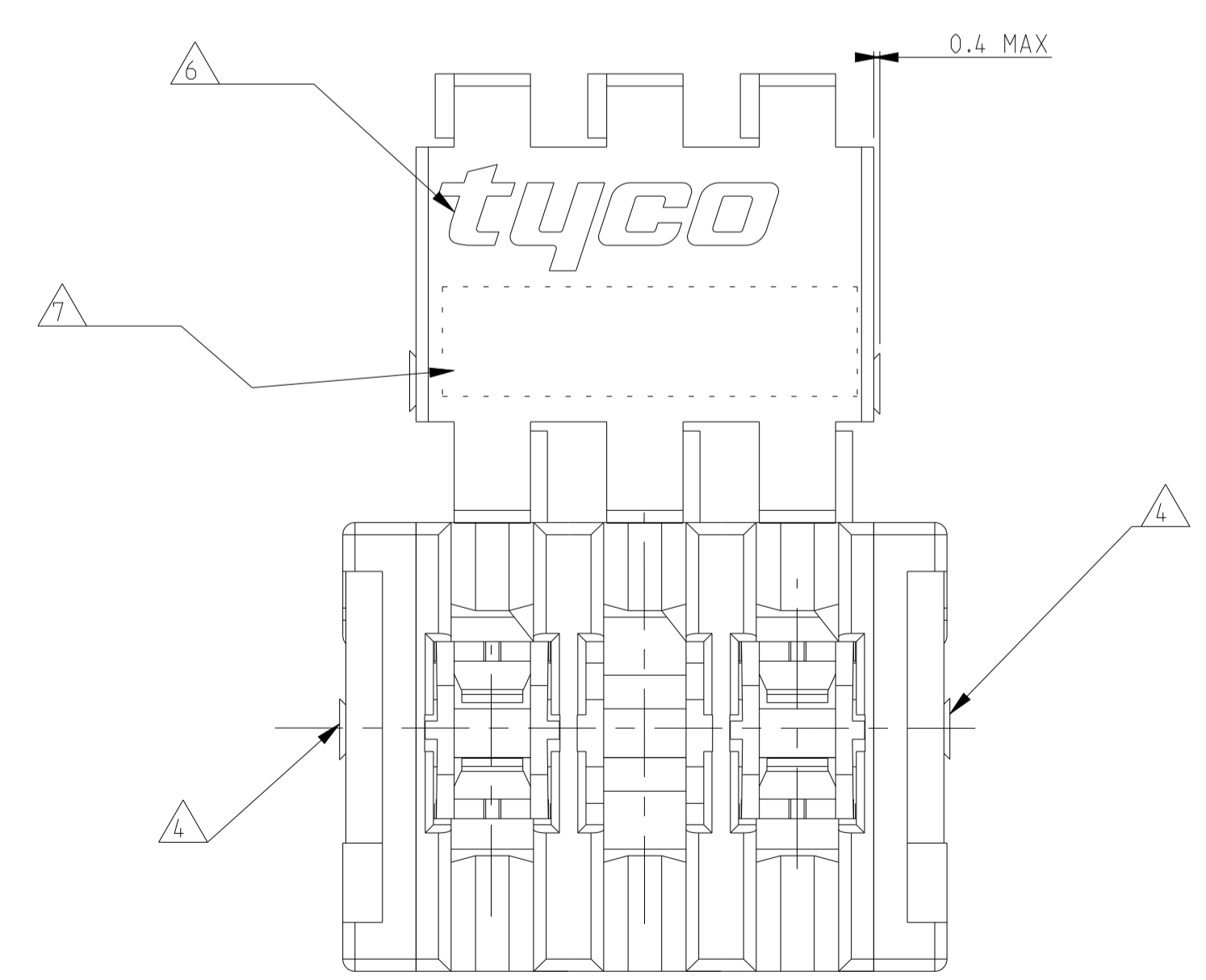


LOC		DIST		REVISIONS			
P	LTN	DESCRIPTION	DATE	DMN	APVD		
C2	ECR-22-128794		10FEB2022	DC	FL		
C3	ECR-22-134224		04APR2022	DC	FL		
C4	ECR-22-141141		07JUN2022	DC	FL		
C5	ECR-22-162225		16JAN2023	DC	FL		



P/N 0-293153-3 AS SHOWN  
 SCALE 5:1 / 10:1

- 1 WIRE RANGE : STRANDED 0.22-0.35 mm<sup>2</sup> (INS. DIA. 1.30±0.1)
- 2 MATING PART: PCB FRAME P/N 964575 (PCB THK 1.5±0.14 COPPER CLADDING INCLUDED) SEE PRODUCT SPEC. 108-18056 FOR FRAME APPLICATION
- 3 KEYING RIBS TO BE REMOVED BY TERMINATION MACHINE
- 4 CUT OFF DIMENSION DUE TO PRODUCTION PROCESS
- 5 CIRCUIT No. IDENTIFICATION
- 6 TE TRADEMARK (OPTIONAL POSITION)
- 7 TAMPOGRAPHIC COLOUR CODE AREA (P/Ns IDENTIFICATION BEFORE CRIMPING)
- 8 POLARIZATION RIB BETWEEN CAVITIES. (SEE BELOW TYPICAL POLARIZATION CUTOFF ON PCB)
- 9 PRELIMINARY PART NOT RELEASED FOR PRODUCTION.
- 10 PBT GF
- 11 PA GF. GWEPT 750 NO-FLAME. NATURAL
- 12 ALTERNATIVE RESIN PBT GF



COLOUR CODE	CONTACT LOADING	POLARIZ. RIB POS.	HSG POS.	M.A	DIM.B	TE P/N	TE P/N	TE P/N
GREEN	SELECTIVELY 1.3.5.7.9	1/2	9	20.0	24.9	/	7-2311505-9	/
-	SELECTIVELY 1.4.7.8.9	2/3	9	20.0	24.9	2-293153-9	/	2-2403117-9
BLUE	SELECTIVELY 1.2.4.5.6.7.8.9	2/3	9	20.0	24.9	1-293153-9	6-2311505-9	1-2403117-9
BLACK	SELECTIVELY 1.3.4.6.8.9	2/3	9	20.0	24.9	0-293153-9	5-2311505-9	2403117-9
RED	SELECTIVELY 1.2.3.7.8	1/2	8	17.5	22.4	0-293153-8	2-2311505-8	2403117-8
BLACK	SELECTIVELY 1.3.5.6.7	2/3	7	15.0	19.9	1-293153-7	/	1-2403117-7
BLACK	SELECTIVELY 1.4.5.6.7	2/3	7	15.0	19.9	0-293153-7	6-2311505-7	2403117-7
BLACK	SELECTIVELY 1.3.4.6	1/2	6	12.5	17.4	2-293153-6	6-2311505-6	2-2403117-6
RED	SELECTIVELY 1.3.4.6	2/3	6	12.5	17.4	1-293153-6	5-2311505-6	1-2403117-6
BLACK	SELECTIVELY 1.2	1/2	6	12.5	17.4	0-293153-6	4-2311505-6	2403117-6
BLACK	SELECTIVELY 3.4	3/4	4	7.5	12.4	0-293153-4	2311505-4	2403117-4
BLACK	SELECTIVELY 1.3	1/2	3	5.0	9.9	0-293153-3	8-2311505-3	2403117-3

PH. BRONZE, TIN PLATED	IDC RECEPTACLE CONTACT	2	THIS DRAWING IS A CONTROLLED DOCUMENT.	OWN: C. CORDALO 28NOV2005 CHK: G. TURCO 28NOV2005
PBT GLASS FIBER FILLED	FEMALE HOUSING	1	DIMENSIONS: mm	TOLERANCES UNLESS OTHERWISE SPECIFIED: 0 PLC ±0.2 1 PLC ±0.2 2 PLC ±0.2 3 PLC ±0.2 4 PLC ±0.2 ANGLES ±°
MATERIAL	DESCRIPTION	ITEM	MATERIAL SEE TABLE	APVD: G. TURCO 28NOV2005 PRODUCT SPEC: 108-18056 APPLICATION SPEC: 114-18049-1
REVISIONE DELL'ASSEMBLATO (REVISION OF EACH ASSY NO)			NAME: DUOPLUG 2.5 FEMALE CONNECTOR STANDARD VERSION, KEYED (SELECTIVELY LOADED)	
ELENCO DEI COMPONENTI (PARTS LIST)			SIZE: A1 CAGE CODE: 00779 DRAWING NO: C=293153 RESTRICTED TO: 1 OF 1	
			CUSTOMER DRAWING SCALE: 10:1 SHEET: 1 OF 1 REV: C5	